
Parts Manual

898404 1970-1975 - HAULSTER, POLICE, 18HP, 3-WL

Printed 07-05-2016

TABLE OF CONTENTS

898404 1970-1975 - HAULSTER, POLICE, 18HP, 3-WL	
AIR CLEANER AND CRANKCASE BREATHER.....	1
AIR SHROUDS.....	3
ALTERNATOR (42 Amp.).....	7
AREA LIGHTING KIT.....	9
AUXILIARY TRANSMISSION.....	11
BATTERY CARRIER.....	15
BRAKE CONTROLS.....	17
BUMPER HITCH.....	19
BUMPERS AND RUB RAILS.....	21
CAB.....	23
CAMSHAFT, VALVES AND PUSH RODS.....	25
CARBURETOR.....	27
CLUTCH.....	31
CLUTCH CONTROLS.....	33
CRANKCASE & CYLINDER.....	35
CRANKSHAFT, CONNECTING RODS AND PISTONS.....	37
DOORS.....	39
DRIVE SHAFT.....	41
DRIVE SHAFT (1 Ton Flatbed).....	43
DUMP BOX PLATFORM.....	45
ENGINE COVERS.....	47
EXHAUST SYSTEM.....	49
FAN HOUSING.....	51
FENDER (TURF-TRUCKSTER).....	53
FLATBED AND REAR BUMPER.....	55
FLYWHEEL.....	57
FORK.....	59
FRAME.....	61
FRONT HUB AND BRAKE.....	63
FRONT PANEL AND FLOORBOARD.....	65
FUEL PUMP.....	67
FUEL TANK.....	69
GAS WELDER MOUNTING SET.....	71
HAND CONTROLS, CHOKE AND THROTTLE.....	73
HEATER.....	75
HOBART WELDER MOUNTING SET.....	79
IGNITION COMPONENTS.....	81
LIGHTS & HORN.....	83

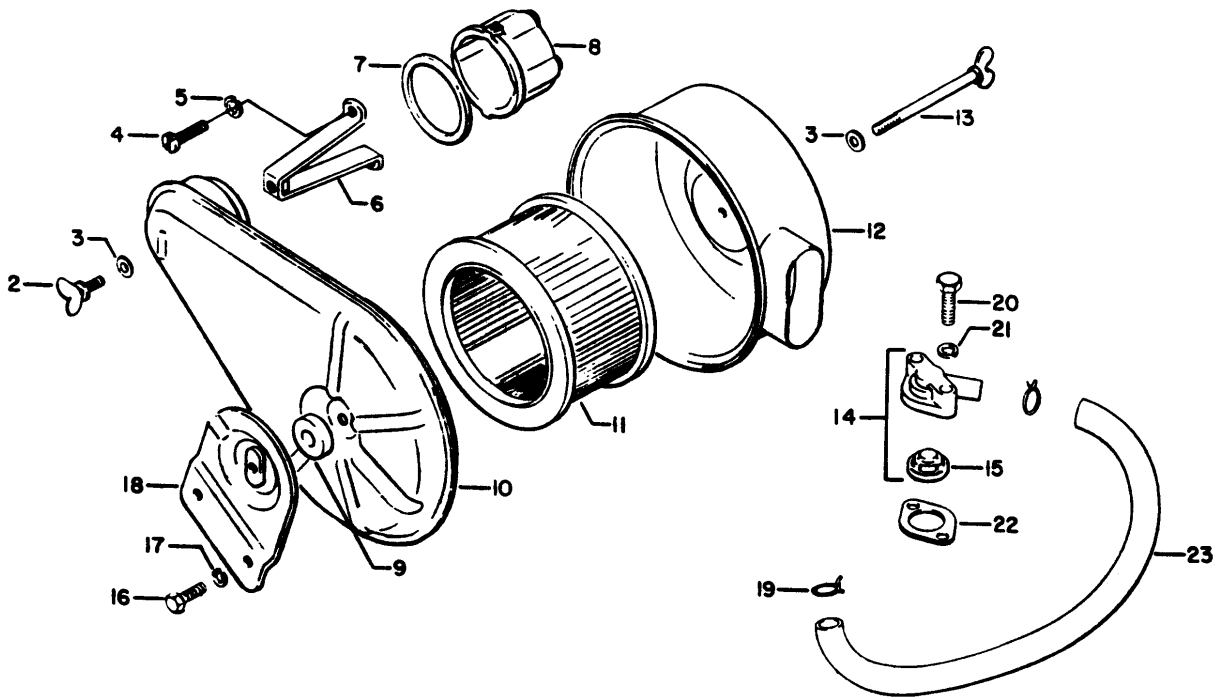
TABLE OF CONTENTS

MANIFOLDS	85
MASTER CYLINDER AND WHEEL CYLINDER	87
OIL SUPPLY	89
P.T.O.	91
P.T.O. DRIVE SHAFT	93
PARKING BRAKE	95
PERSONNEL CARRIER SEAT (STANDARD PICKUP MODEL)	97
PERSONNEL SEAT (WIDE BOX)	99
PICKUP BOX AND DUMP BOX	101
PICKUP BOX COVER	103
PLATFORM	105
PROTECTOSEAL GAS CAP	107
RAMP SET	109
REAR AXLE	111
REAR WHEEL AND BRAKE ASSEMBLY	115
SEAT AND BACKREST	117
SHIFTER LINKAGE	119
SHIFTER LINKAGE (AUXILIARY TRANSMISSION)	121
SHIFTER LINKAGE (POWER TAKE-OFF)	123
SHOCK ABSORBER AND HEAVY DUTY SPRINGS	125
SPARK ARRESTOR (Part 1)	127
SPARK ARRESTOR (Part 2)	129
SPEEDOMETER FRONT WHEEL (Not For Turf-Truckster)	131
SPEEDOMETER Rear Wheel	133
STAKE RACK (FLATBED MODELS)	135
STAKE RACK (STANDARD PICKUP MODEL)	137
STARTER	139
STARTER-MOTOR (DELCO-REMY)	141
STARTER-MOTOR (PRESTOLITE)	143
STEERING GEAR	145
SWITCHES	147
TACHOMETER	149
TAILGATE RELEASE	151
TARP & BOW SET	153
THROTTLE	155
TILT CONTROLS (HYDRAULIC)	157
TILT CONTROLS (Ratchet)	159
TIMER AND GOVERNOR	161
TIRES AND RIMS (5.00 x 8)	165

TABLE OF CONTENTS

TIRES, TUBES, RIMS AND REAR HUB (TURF).....	167
TOW BAR.....	169
TRAILER HITCH.....	171
TRANSMISSION (ONE-PIECE CASE).....	173
TRANSMISSION (TWO-PIECE CASE).....	177
TRANSMISSION AND ENGINE MOUNTS.....	181
TURN SIGNALS.....	183
TURN SIGNALS (POLICE).....	185
WINDSHIELD SET.....	187
WINDSHIELD WIPER.....	189
WIRES.....	191
ZERO PRESSURE TIRES.....	195

AIR CLEANER AND CRANKCASE BREATHER



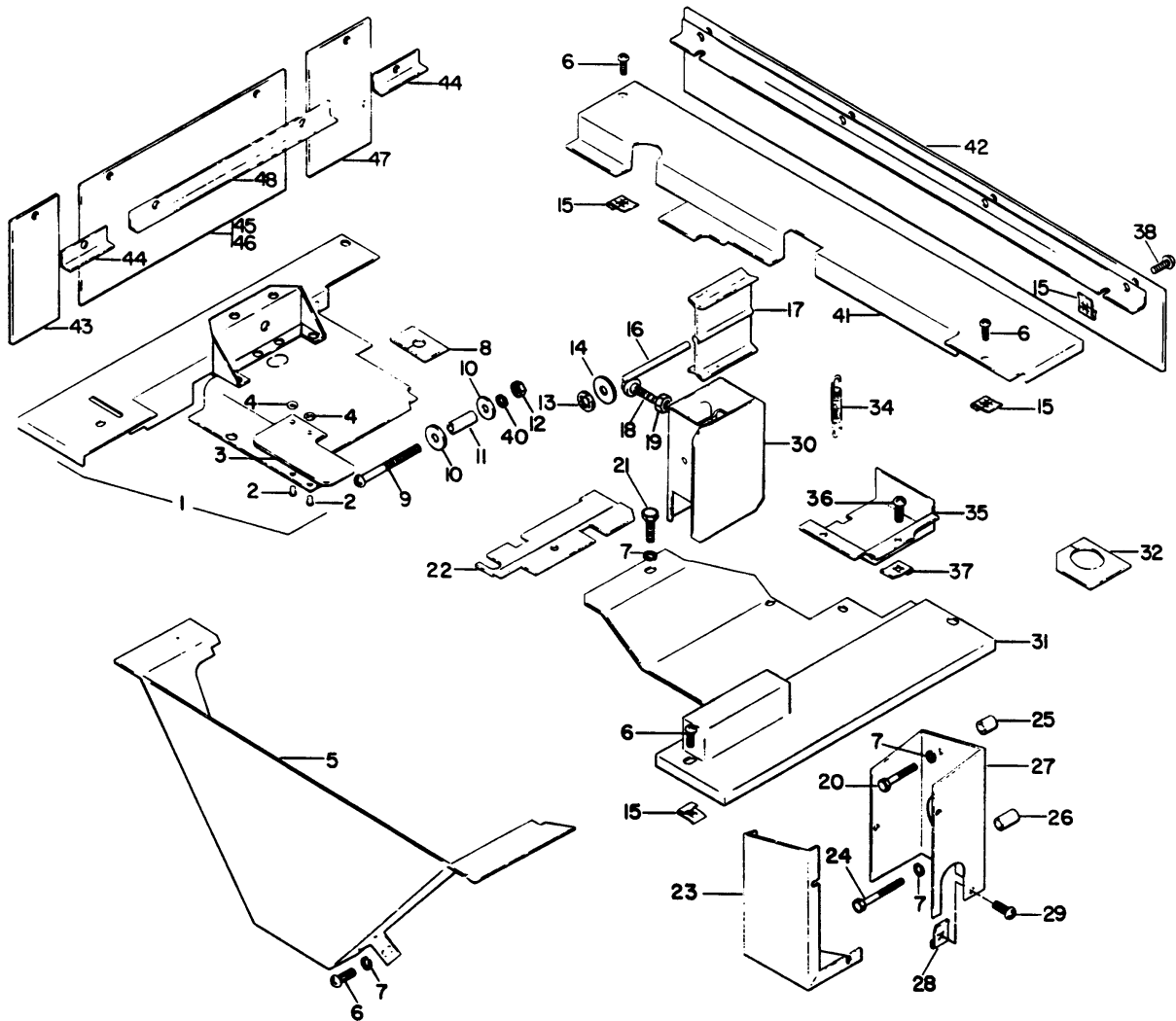
AIR CLEANER AND CRANKCASE BREATHER

AIR CLEANER AND CRANKCASE BREATHER

#	PART #	DESCRIPTION	QTY	NOTE
2	604213	SCRW, THUMB.25-20.75 ZS	1	
3	111173	WASHER	2	
4	306543		3	
5	120052	Lockwasher, #10	3	
6	161735	BRACKET AY	1	
7	111878	GASKET	1	
8	113318	Adapter	1	
9	111877	GASKET	1	
10	161532		1	
11	111316	AIR CLEAN ELEMENT	1	
12	112005	BRACKET-HANDLE	1	
13	111881	SCREW	1	
14	160387	COVER & VENT AY	1	
15	111744	BREATHER VALVE	1	
16	306555	Screw, 5/16-18 x 5/8 in. Hex Head	2	
17	306325	Lockwasher, 5/16	2	
18	160401	BRACKET AY	1	
19	308647	CLAMP	2	
20	306418	SCRW, 25-20 1.125 YS HX G5 KC	2	
21	306396	Lockwasher, 1/4	2	
22	111834	GASKET	1	
23	111909	HOSE	1	

AIR CLEANER AND CRANKCASE BREATHER

AIR SHROUDS



AIR SHROUDS

AIR SHROUDS

#	PART #	DESCRIPTION	QTY	NOTE
	818524	COVER	1	
	818523		1	
1	161905		1	
2	111610	RIVET	2	
3	111356	RUBBER FILLER	1	
4	308878	BLADE, REEL LH	2	
5	160787		1	
6	800019	SCREW,.25-20.50 YS PR G5	6	
7	306396	Lockwasher, 1/4	4	
8	111546		1	
9	306888		1	
10	300154	Washer, #10	2	
11	111506	BUSHING	1	
12	306531	Nut, #10-24 Hex	1	
13	800175	NUT,.12 STUD BS PUSH ON	3	
14	308087	Flat Washer, #8	1	
15	800196	NUT,.25-20 PS SPEED "J" (KC)	6	
16	111346		1	
17	160781		1	
18	111350	THERMOSTAT	1	
19	306320	Nut, 5/16-24 Hex	1	
20	600014	Screw, 1/4-20 x 1-3/4" Hex Head	1	
21	306419	Screw, 1/4-20 x 1/2 in. Hex Head	3	
22	111358	Shroud, center	1	
23	111359		1	
24	306832	Screw, 1/4-20 X 2 YS Hex G5	1	
25	111345		1	
26	111344	SPACER	1	
27	111357		1	
28	800176	NUT,#10Z PS SPEED "U"	3	
29	800344	Screw, #10 Type AB Self Tapping	3	
30	160785	BODY AY	1	
31	160786	SHROUD AY	1	
32	111347	Seal, left manifold	1	
33	816979	Bracket, rear seal	1	
34	111567	SPRING	1	
35	111366		1	
36	800149	TSCRW,#10 TYPE AB.38 YS TR KC	2	
37	800172	NUT,#10A BS SPEED "J"	2	
38	800277	SCRW,.25-20.63 YS PR G5	2	
40	120052	Lockwasher, #10	1	
41	111363		1	
42	816987		1	
43	816980	Seal, side front	2	
44	816982		4	
45	816983	SEAL	1	

AIR SHROUDS

AIR SHROUDS

#	PART #	DESCRIPTION	QTY	NOTE
46	816988		1	
47	816981	Seal, side rear	2	
48	816984	Bracket, side seal	2	

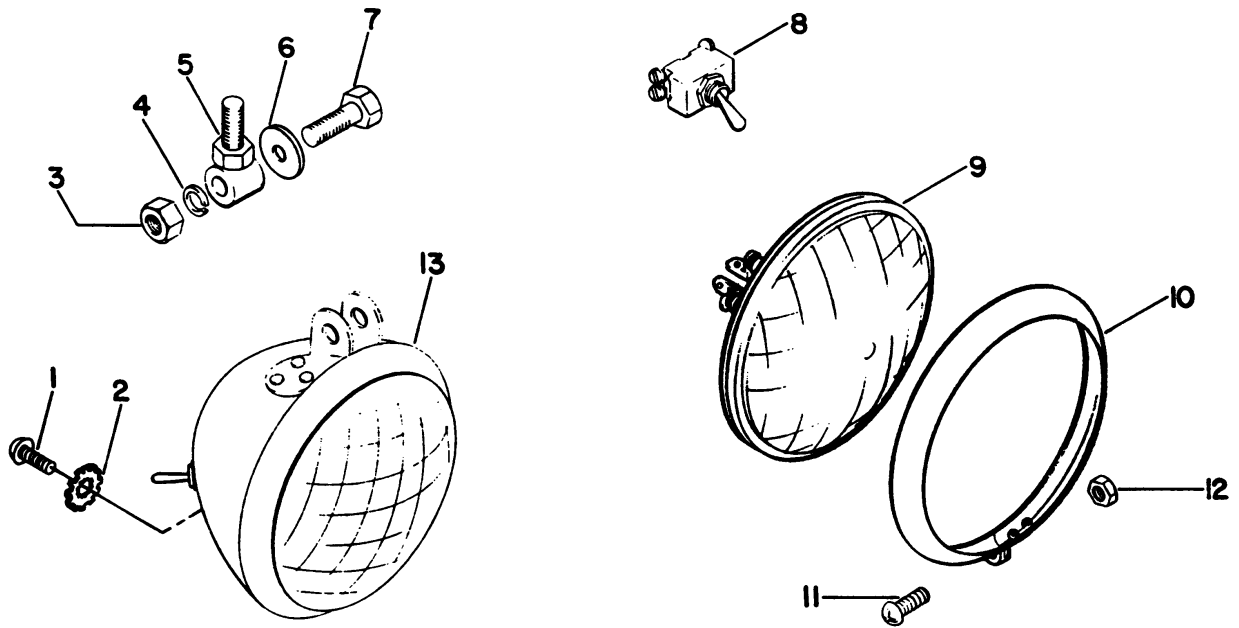
AIR SHROUDS

ALTERNATOR (42 Amp.)

#	PART #	DESCRIPTION	QTY	NOTE
1	880598	Alternator w/pulley and fan	1	
2	816866	Pulley, alternator	1	
3	816867	PULLEY FAN	1	
4	816868		1	
5	311213	Screw, 3/8-16 X 3"	1	
6	120177	Lockwasher, 3/8	1	
7	306562	Nut, 3/8-16 Hex	1	
8	302288	Screw, 1/4-20 x 1 in. Hex Head	2	
9	306396	Lockwasher, 1/4	3	
10	308090	Flat Washer, 1/4	2	
11	880600	BRACKET AY,ALT BLK	1	
12	816873	BRACKET BLK	1	
13	103867	Flat Washer, 5/16	1	
14	306325	Lockwasher, 5/16	4	
15	306416	Screw, 5/16-18 x 7/8 in. Hex Head	1	
16	306419	Screw, 1/4-20 x 1/2 in. Hex Head	1	
17	814143		1	
18	879371		1	
19	306424	SCREW, HEX HEAD CAP	3	
20	816864	V-BELT	1	

ALTERNATOR (42 Amp.)

AREA LIGHTING KIT



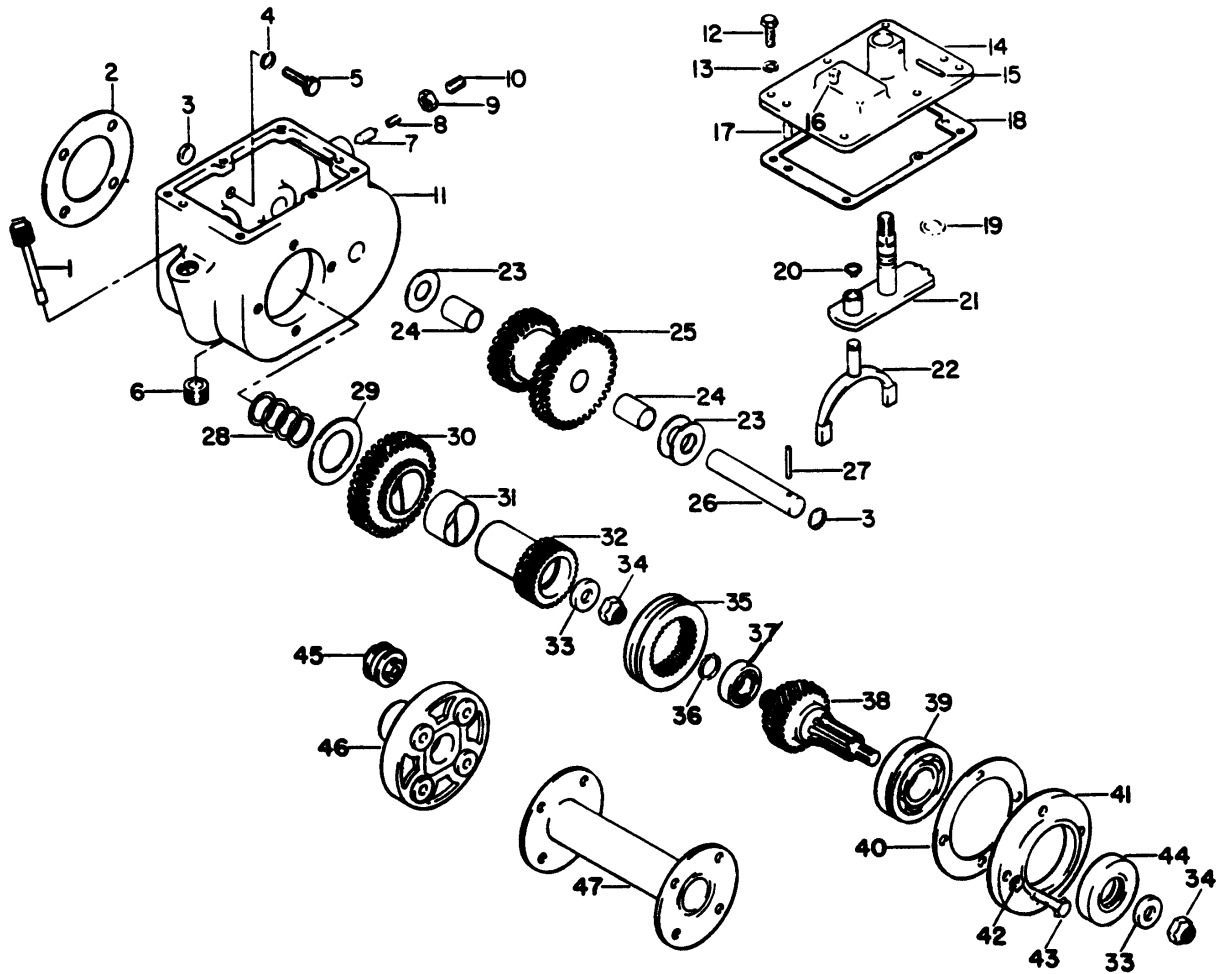
AREA LIGHTING KIT

AREA LIGHTING KIT

#	PART #	DESCRIPTION	QTY	NOTE
1	302430	Screw, #8	4	
2	304642	LOCKWASHER, #8 ZS SHAKEPROOF INTERNAL	4	
3	800292	Nut, 3/8-16 Centerlock	8	
4	120177	Lockwasher, 3/8	8	
5	875267	PIVOT AY	4	
6	809174	Flat Washer, 3/8 x 2"	4	
7	306835	Screw, 3/8-16 x 1-1/4 in. Hex Head	4	
8	813214	Switch	4	
9	809723	HEADLIGHT	4	
10	813372		4	
11	306887		4	
12	133079	NUT,#8-32 YS HX (KC)	4	
13	813343	Headlight complete	4	

AREA LIGHTING KIT

AUXILIARY TRANSMISSION



AUXILIARY TRANSMISSION

AUXILIARY TRANSMISSION

#	PART #	DESCRIPTION	QTY	NOTE
	815698	SHIM, .010	1	
	815699	SHIM 030	1	
1	880145	INDICAT AY,OIL LVL	1	
2	812000	USE 0828044	1	
3	805893	PLUG	2	
4	816207		4	
5	131794	SCRW, .38-16 2.0 ZS HX G5.CAN USE 2702117	4	
6	111071	PLUG, OIL DRAIN	1	
7	807366	Button, Positioning	1	
8	805407	SPRING	1	
9	304632	NUT, JAM	1	
10	800095	SETSCREW	1	
11	811994	CASE,TRANSMISSION	1	
12	300646	Screw, 1/4-20 x 3/4" Hex Head	6	
13	306396	Lockwasher, 1/4	6	
14	815706	COVER	1	
15	306967	Roll Pin, 1/8 x 1-1/4"	1	
16	807441	HOUSING	1	
17	806711	PIN	2	
18	812001	GASKET	1	
19	807624	O-Ring	1	
20	812011	RETAINING RING (KC)	1	
21	880143	ARM AY	1	
22	812010	FORK,SHIFTER	1	
23	811992	Shim, CLuster Gear	2	
24	812004	BEARING	2	
25	878805		1	
26	811997	JACKSHAFT	1	
27	307785	PIN, ROLL	1	
28	815697	SHIM 005	1	
29	811993	Bearing, Thrust	1	
30	878806		1	
31	812006	Bushing	1	
32	811998	SHAFT,MAIN	1	
33	809180	Flat Washer, 1/2	1	
34	800198	Locknut, 1/2-20	2	
35	811996	COLLAR,ENGAGING	1	
36	809252	RING, XT RET.625 ID.37T PS	1	
37	812009	Bearing, Ball	1	
38	812007	GEAR, PINION DRIVE	1	
39	812008	BRG,BALL 1.18 2.83.75 "SR"	1	
40	811999	GASKET	1	
41	811995	BEARING RETAINER	1	
42	306325	Lockwasher, 5/16	4	
43	306416	Screw, 5/16-18 x 7/8 in. Hex Head	4	
44	812335	Seal, Oil	1	

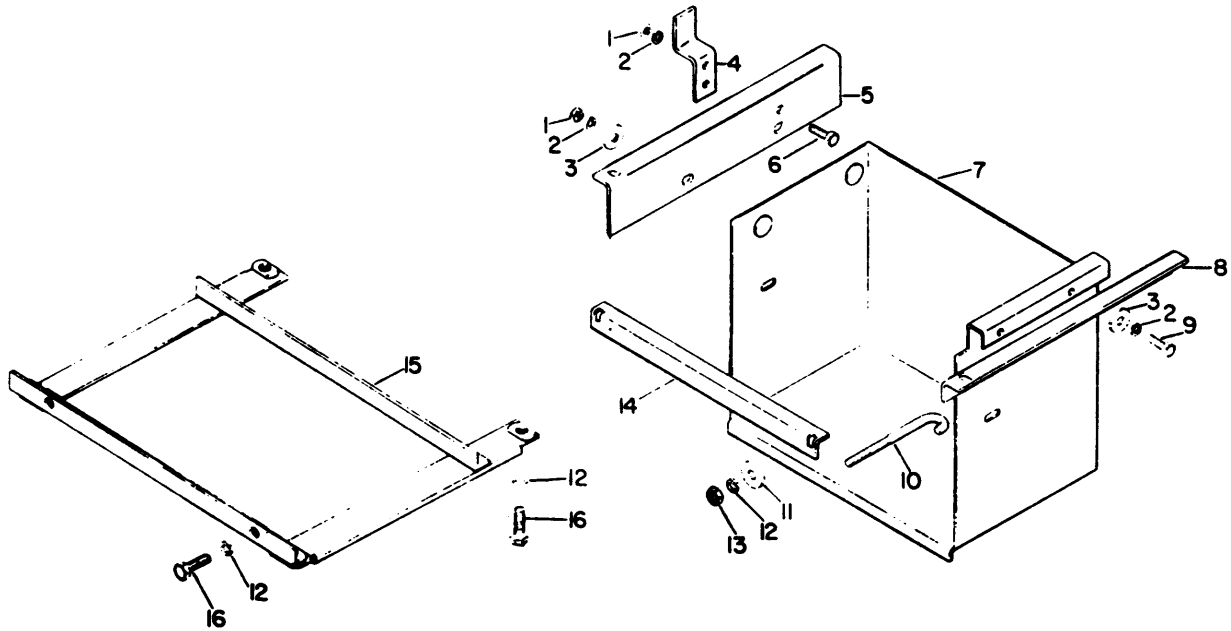
AUXILIARY TRANSMISSION

AUXILIARY TRANSMISSION

#	PART #	DESCRIPTION	QTY	NOTE
45	810143	BUSHING, RUBBER	4	
46	878534	COUPLING AY, FLEX	1	
47	880195		1	

AUXILIARY TRANSMISSION

BATTERY CARRIER



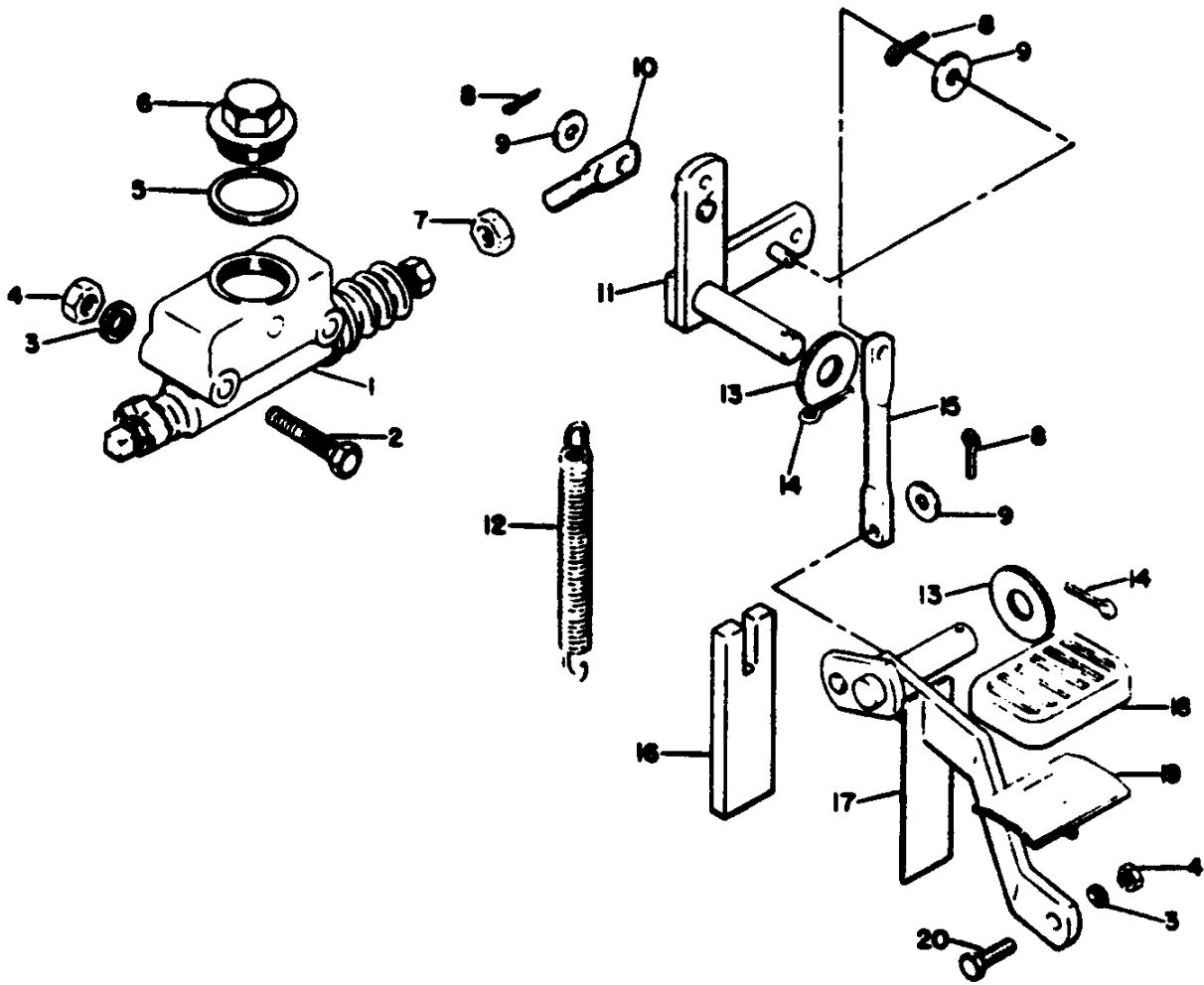
BATTERY CARRIER

BATTERY CARRIER

#	PART #	DESCRIPTION	QTY	NOTE
	306419	Screw, 1/4-20 x 1/2 in. Hex Head	2	
1	306375	Nut, 1/4-20 Hex	5	
2	306396	Lockwasher, 1/4	7	
3	308090	Flat Washer, 1/4	8	
4	820939		2	
5	820940		1	
6	306487	SCREW, 1/4 - 20 X 5/8 YS HX G5	3	
7	880207	BATTERY BOX AY BLK	1	
8	820822		1	
9	302288	Screw, 1/4-20 x 1 in. Hex Head	2	
10	812313	BOLT, J .31-18 4 YS	2	
11	103867	Flat Washer, 5/16	2	
12	306325	Lockwasher, 5/16	6	
13	306932	Nut, 5/16-18 Hex	2	
14	815847	HOLD-DOWN, BATTERY BLK	1	
15	882121		1	
16	306450	Screw, 5/16-18 x 3/4 in. Hex Head	4	

BATTERY CARRIER

BRAKE CONTROLS



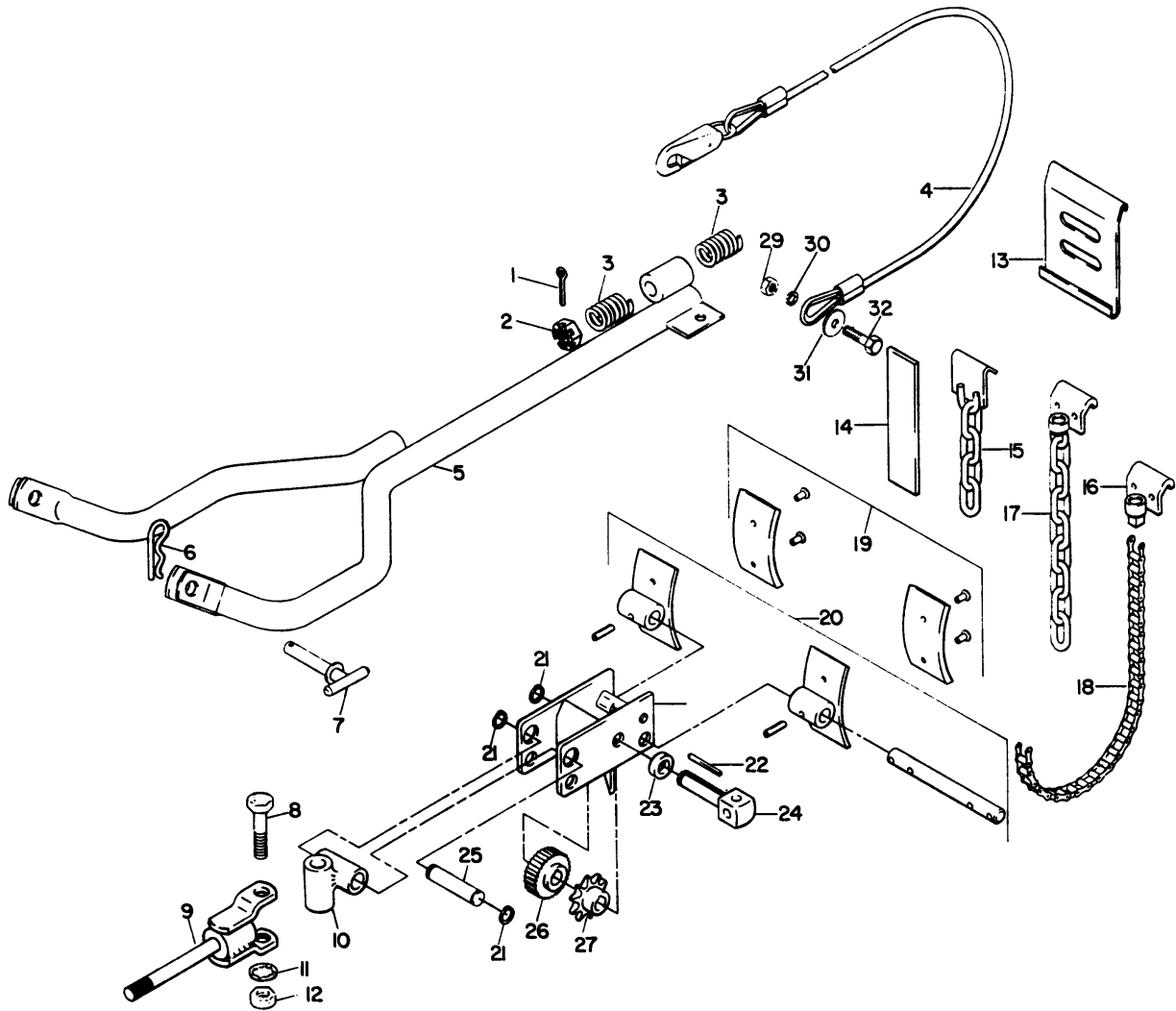
BRAKE CONTROLS

BRAKE CONTROLS

#	PART #	DESCRIPTION	QTY	NOTE
1	807344		1	
2	311213	Screw, 3/8-16 X 3"	2	
3	120177	Lockwasher, 3/8	3	
4	306562	Nut, 3/8-16 Hex	3	
5	811929	GASKET	1	
6	811773		1	
7	130981	NUT, .44-20 YS HX JAM (KC)	1	
8	306328	Cotter Pin, 3/32 x 3/4"	3	
9	103867	Flat Washer, 5/16	3	
10	812364	ROD, BRAKE (PLATED)	1	
11	879246		1	
12	823089	SPRING, EXTENSION	1	
13	809196	WSHR, .62 1.00.03 NS FLAT (KC)	2	
14	304635	Cotter Pin, 1/8 x 1"	2	
15	812367	ROD, BRAKE PEDAL	1	
16	814349	SEAL	1	
17	879439		1	
18	810152	Pad, Pedal	1	
19	878548	PEDAL AY	1	
20	306414	Screw, 3/8-16 X 1" Hex Head	1	

BRAKE CONTROLS

BUMPER HITCH



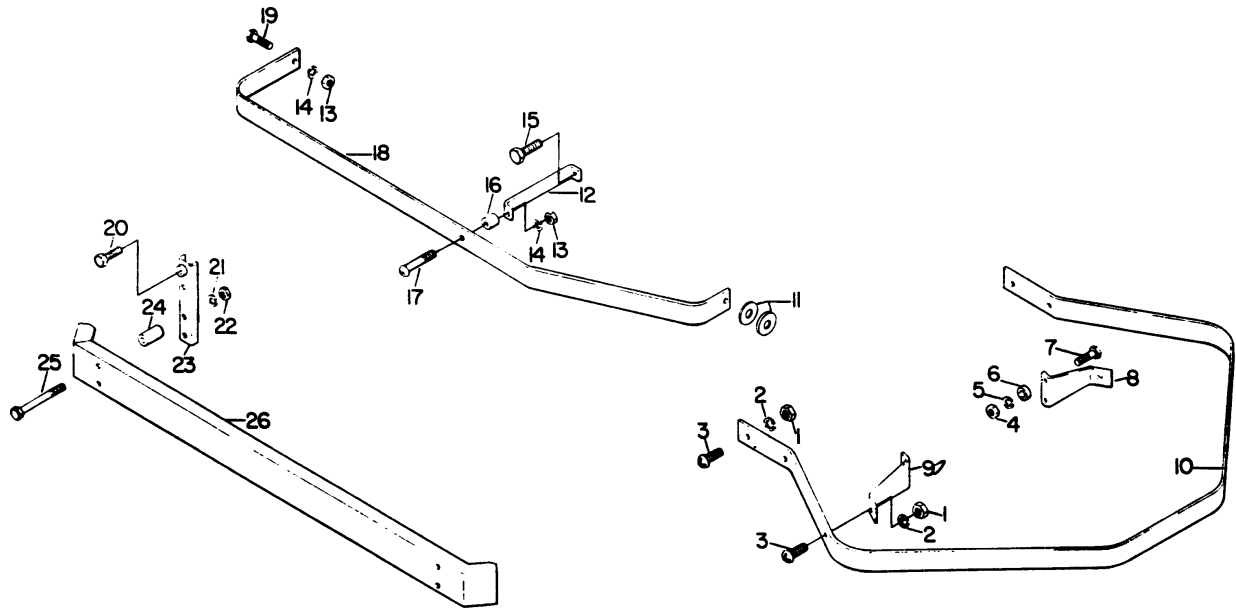
BUMPER HITCH

BUMPER HITCH

#	PART #	DESCRIPTION	QTY	NOTE
	879787	Bumper Hitch Set	1	
	812442	Bumper hitch	1	
1	306052	Pin, cotter	1	
2	306839	Nut, 5/8-18 Slotted Hex	1	
3	805403	TOW HITCH SPRING	2	
4	876752		1	
5	879427		1	
6	809265	Hair Pin, 2-11/16 x 3/4 x 5/32"	2	
7	809265	Hair Pin, 2-11/16 x 3/4 x 5/32"	2	
8	306840	SCRW, 5-13 3.00 YS HX G5 (KC)	1	
9	875277	TOW HITCH YOKE AY	1	
10	812443		1	
11	306994		1	
12	306933	NUT, .5-13 YS HX JAM (KC)	1	
13	813193		1	
14	813195	Belting (for top hook w/rivets)	1	
15	813198	Hook, bottom (short chain)	1	
16	813184	Hook, top	1	
17	813186	Hook, bottom (long chain)	1	
18	813185	Chin, top hook	1	
19	813183	Pad, rubber, w/rivets	2	
20	813182	Pads, w/pin & roll pins	1	
21	809259	RING, BEARING RETAINING	3	
22	813192		1	
23	813191	SPACER	1	
24	813188	Main drive pin	1	
25	813194	PIN	1	
26	813189	Ratchet gear	1	
27	813190	Sprocket	1	
28	813181	Hitch body	1	
29	306562	Nut, 3/8-16 Hex	1	
30	120177	Lockwasher, 3/8	1	
31	809144	WASHER	1	
32	306835	Screw, 3/8-16 x 1-1/4 in. Hex Head	1	

BUMPER HITCH

BUMPERS AND RUB RAILS

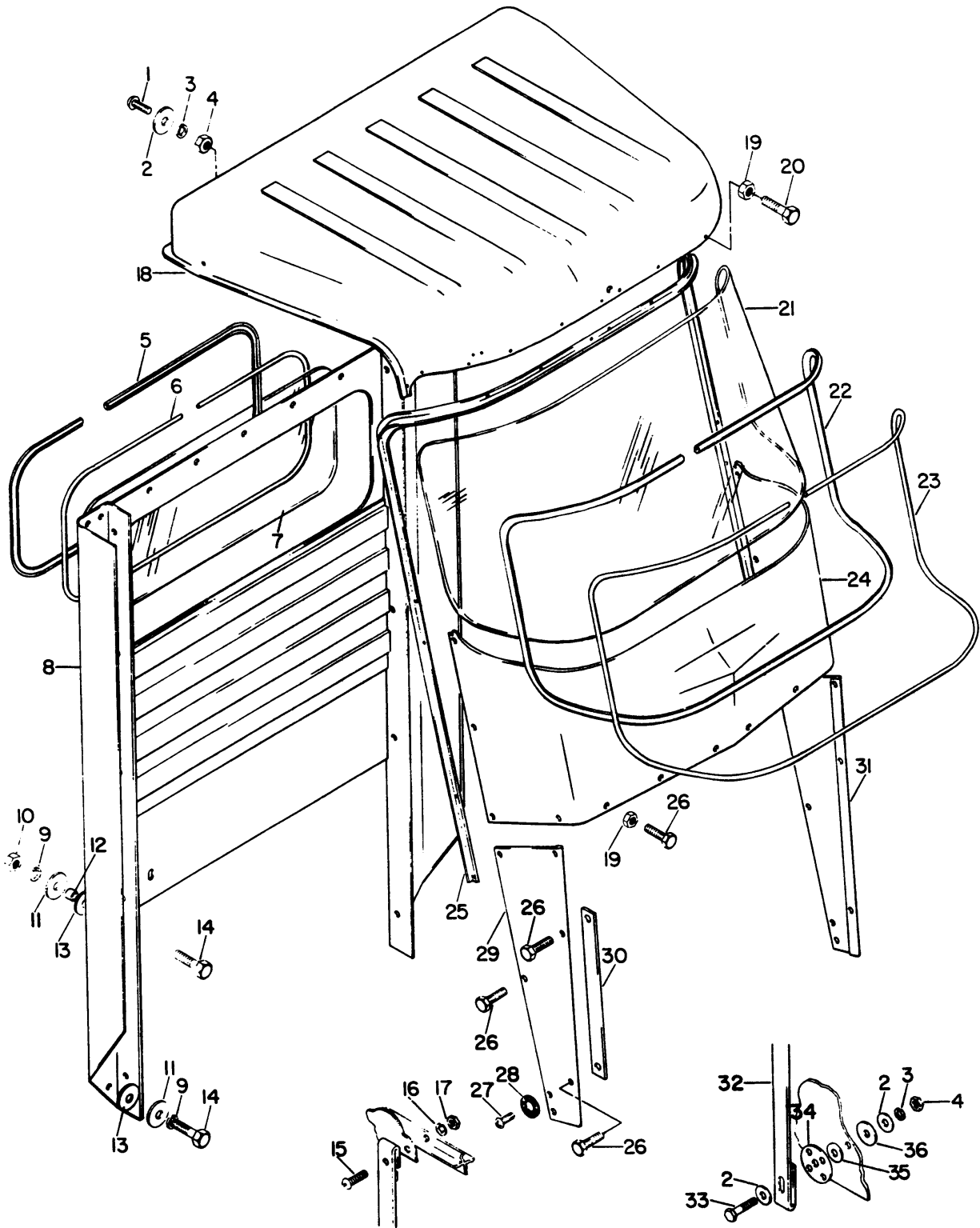


BUMPERS AND RUB RAILS

#	PART #	DESCRIPTION	QTY	NOTE
	880579	Front bumper set	1	
	880492	REAR BUMPER SET	1	
	880546	Rub rail set	1	
1	306932	Nut, 5/16-18 Hex	6	
2	306325	Lockwasher, 5/16	6	
3	800030	SCRW, .31-18 1.0 YS PR G2	6	
4	306375	Nut, 1/4-20 Hex	4	
5	306396	Lockwasher, 1/4	4	
6	814436	SPACER	4	
7	302030	Screw, 1/4-20 x 1-1/4 in.	4	
8	818490	Brace, left	1	
9	816757		1	
10	816756		1	
11	103867	Flat Washer, 5/16	4	
12	816623	BRACKET	2	
13	306932	Nut, 5/16-18 Hex	4	
14	306325	Lockwasher, 5/16	4	
15	306835	Screw, 3/8-16 x 1-1/4 in. Hex Head	2	
16	808987	SPACER	2	
17	800029	SCRW, .31-18 2.0 YS PR G2	2	
18	816622		2	
19	306450	Screw, 5/16-18 x 3/4 in. Hex Head	2	
20	306416	Screw, 5/16-18 x 7/8 in. Hex Head	4	
21	306325	Lockwasher, 5/16	4	
22	306932	Nut, 5/16-18 Hex	4	
23	880465		2	
24	808976	BUSHING	4	
25	131590	SCREW, .31-18 3.00 YS HX G5	4	
26	816504	Bumper, rear	1	

BUMPERS AND RUB RAILS

CAB



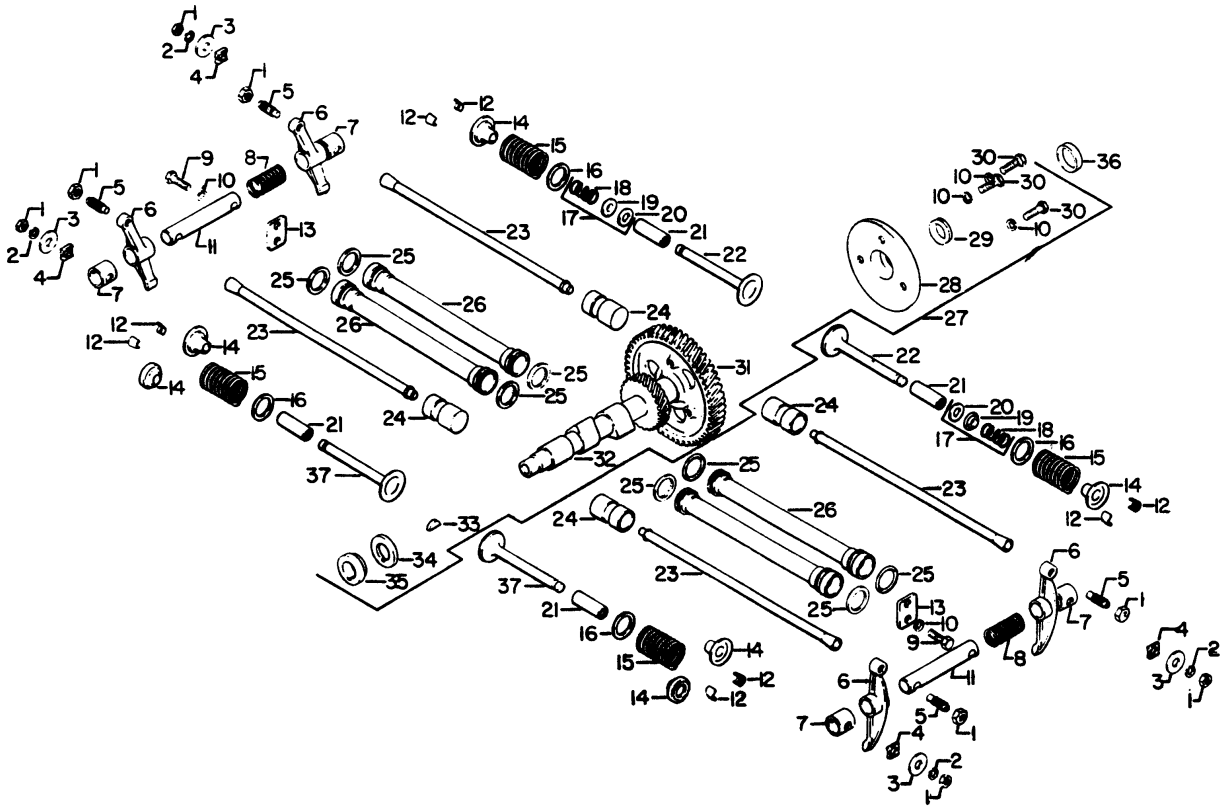
CAB

CAB

#	PART #	DESCRIPTION	QTY	NOTE
	878707	Back assembly, cab and window	1	
1	800019	SCREW, .25-20.50 YS PR G5	11	
2	308090	Flat Washer, 1/4	11	
3	306396	Lockwasher, 1/4	11	
4	306375	Nut, 1/4-20 Hex	11	
5	812648		1	
6	812649		1	
7	812652	WINDOW, CAB REAR	1	
8	878705	Back, cab	1	
9	306325	Lockwasher, 5/16	8	
10	306932	Nut, 5/16-18 Hex	6	
11	103867	Flat Washer, 5/16	8	
12	812644	SPACER, CAB BACK	1	
13	306982	Flat Washer, 7/16	1	
14	306435	Screw, 5/16-18 x 1-1/4 in. Hex Head	8	
15	306379	Screw, #10-24 x 1" Slotted Round	2	
16	120052	Lockwasher, #10	2	
17	306531	Nut, #10-24 Hex	2	
18	812657	Panel, cab roof	1	
19	800053	Nut, #10-24 Hex Centerlock	20	
20	315287	SCRW, #10-24.50 YS HW G5	32	
21	812577		1	
22	812646	Seal, windshield weather	1	
23	812647	Strip, weather seal filler	1	
24	812655	Panel, windshield	1	
25	812575	Frame, cab roof and windshield s	1	
26	315287	SCRW, #10-24.50 YS HW G5	32	
27	800277	SCRW, .25-20.63 YS PR G5	4	
28	306992	LWSHR, .25 ZS SHKPRF INT	4	
29	812654	Panel, right side cab	1	
30	878703	Strip, panel attaching	2	
31	812653	Panel, left side cab	1	
32	817841	Support, windshield	2	
33	302030	Screw, 1/4-20 x 1-1/4 in.	2	
34	817839	Eccentric	2	
35	809152		2	
36	809174	Flat Washer, 3/8 x 2"	2	

CAB

CAMSHAFT, VALVES AND PUSH RODS



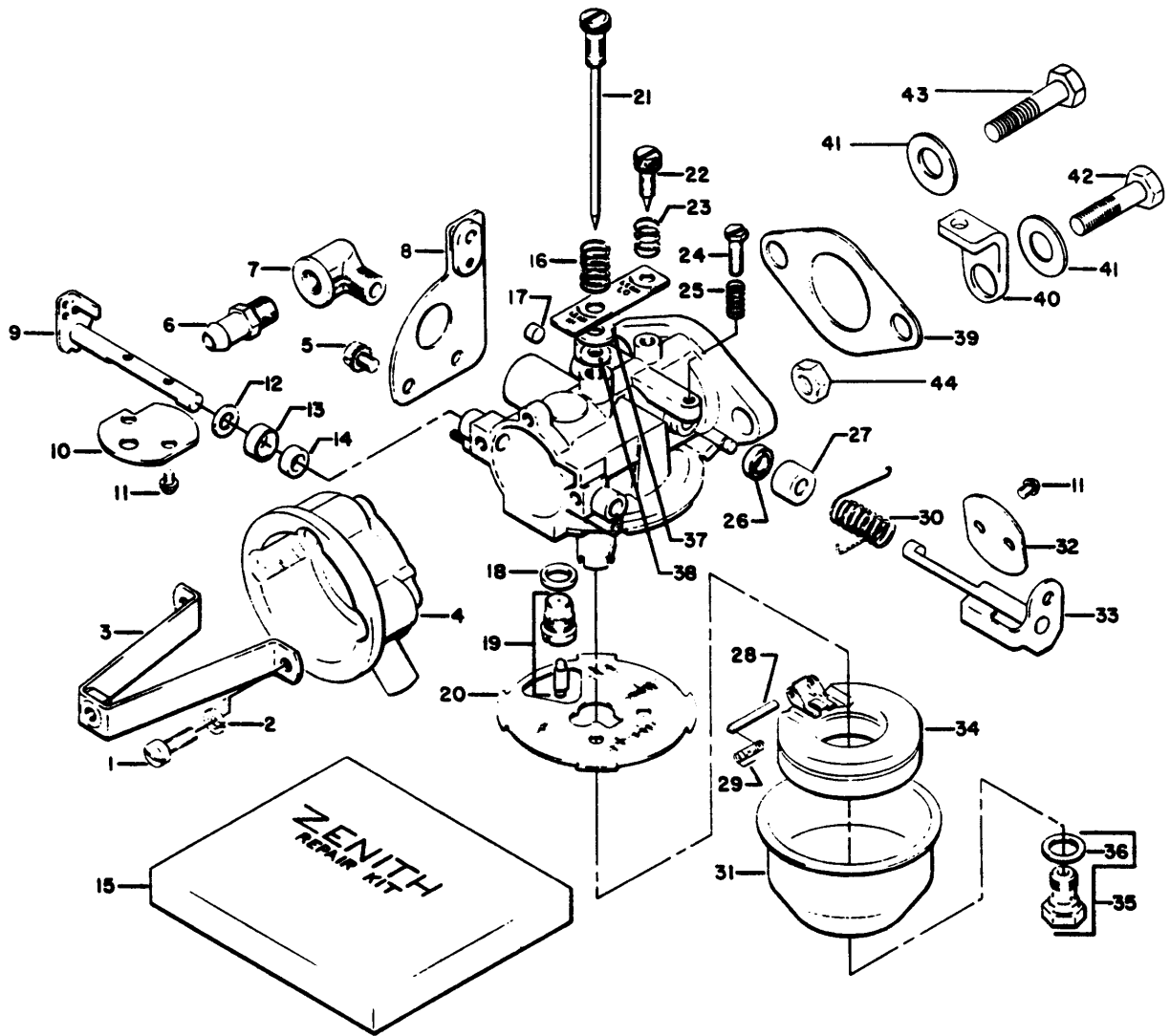
CAMSHAFT, VALVES AND PUSH RODS

CAMSHAFT, VALVES AND PUSH RODS

#	PART #	DESCRIPTION	QTY	NOTE
	111967	SPRING,COMPRESSION	2	
	111966	VALVE, EXHAUST	2	
	111964	ROTATOR, VALVE	2	
1	307842		8	
2	306325	Lockwasher, 5/16	4	
3	309948	WASHER, .31.62.06 PS FLAT	4	
4	111728	CAP	4	
5	111732	SCRW,SPCL TAPPET ADJUSTING	4	
6	111038		4	
7	111743	BUSHING	4	
8	111727	SPRING,COMPRESSION	2	
9	306487	SCREW, 1/4 - 20 X 5/8 YS HX G5	2	
10	306396	Lockwasher, 1/4	5	
11	111668	SHAFT, ROCKER ARM	2	
12	111741	VALVE, KEEPER HALF	8	
13	111759	RETAINER-PUSH ROD	2	
14	111658	RETAINER, SPRING	1	
15	111750	SPRING,COMPRESSION	1	
16	111742	WASHER, .75 1.22.02 NS SPRING	4	
17	160700	VALVE STEM SEAL SET	2	
18	111086	SPRING	2	
19	111085	SEAL	2	
20	111087	GASKET	2	
21	112007	VALVE GUIDE	4	
22	111739	VALVE, INTAKE	2	
23	111730	PUSH ROD AY	4	
24	111733	TAPPET	4	
25	111751	O RING	8	
26	111752	HOUSING, PUSH ROD	4	
27	160379	CAMSHAFT AY	1	
28	111734	COVER, TIMING GEAR	1	
29	111837	GROMMET, .66.94.16 RBR	1	
30	306419	Screw, 1/4-20 x 1/2 in. Hex Head	3	
31	111662	GEAR	1	
32	111661	CAMSHAFT - TWIN	1	
33	306560	KEY,WDRUF.12 X.62 PS (KC	2	
34	111660	WASHER,THRUST	1	
35	111667	COLLAR	1	
36	111785	SEAL,OIL	1	
37	111740	EXHAUST VALVE	2	

CAMSHAFT, VALVES AND PUSH RODS

CARBURETOR



CARBURETOR

CARBURETOR

#	PART #	DESCRIPTION	QTY	NOTE
	161931		1	
	161927		1	
	306799	Lockwasher, 5/16 External Tooth	2	
1	306543		3	
2	120052	Lockwasher, #10	3	
3	161735	BRACKET AY	1	
4	113318	Adapter	1	
5	303791		2	
6	303492	NIPPLE	1	
7	111946	Elbow, 90°	1	
8	161678	BRACKET AY	1	
9	113438	CHOKE	1	
10	113454	PLATE	1	
11	113437	SCREW	4	
12	113453	WASHER	1	
13	113452	CASTING RETAINER	1	
14	113451	SEAL	1	
15	161768	CARB REPAIR KIT	1	
16	113441	SPRING	1	
17	113421	PLUG	1	
18	113447	WASHER	1	
19	113456	FUEL VALVE&SEAT AY	1	
20	113432	GASKET	1	
21	113457	JET&ADJ NEEDLE AY	1	
22	113422	NEEDLE	1	
23	113423	SPRING	1	
24	113428	SCRW, THROTTLE STOP	1	
25	113448	SPRING	1	
26	113419	SEAL	1	
27	113420	RETAINER	1	
28	113430	PIN	1	
29	113431		1	
30	113450	SPRING	1	
31	113433	BOWL	1	
32	113436	PLATE	1	
33	113449	SHAFT & LEVER AY	1	
34	113429	FLOAT AY	1	
35	113455	JET AY	1	
36	113445	WASHER	1	
37	113443	WASHER	1	
38	113442	WASHER	1	
39	111767	GASKET	1	
40	160408	MUFFLER	1	
41	308419	Washer, 5/16	2	
42	306504	SCRW, .31-24 1.00 YS HX G5	1	
43	307718	SCRW, .31-24 1.12 YS HX G5	1	

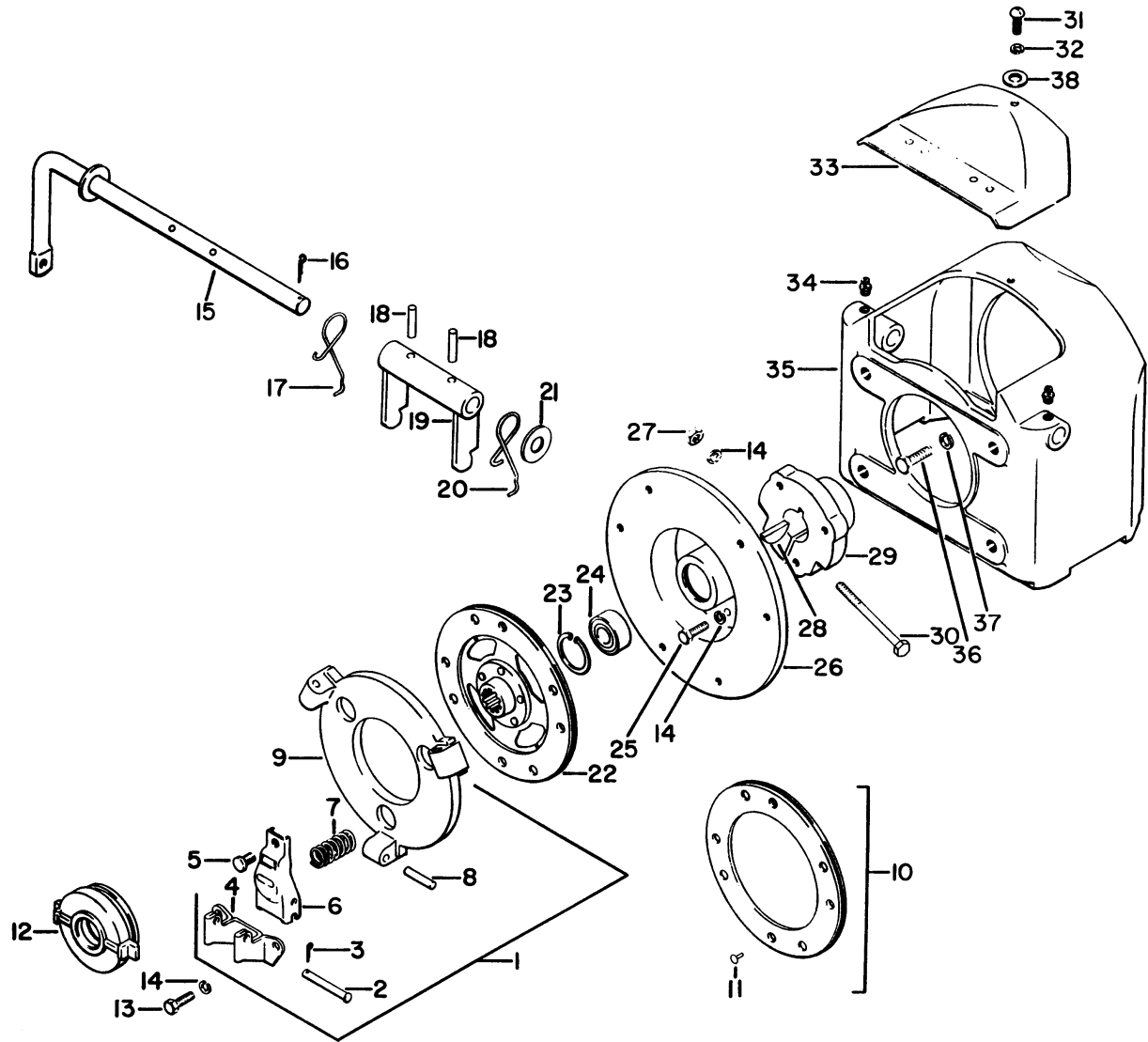
CARBURETOR

CARBURETOR

#	PART #	DESCRIPTION	QTY	NOTE
44	306390	NUT, JAM	2	

CARBURETOR

CLUTCH



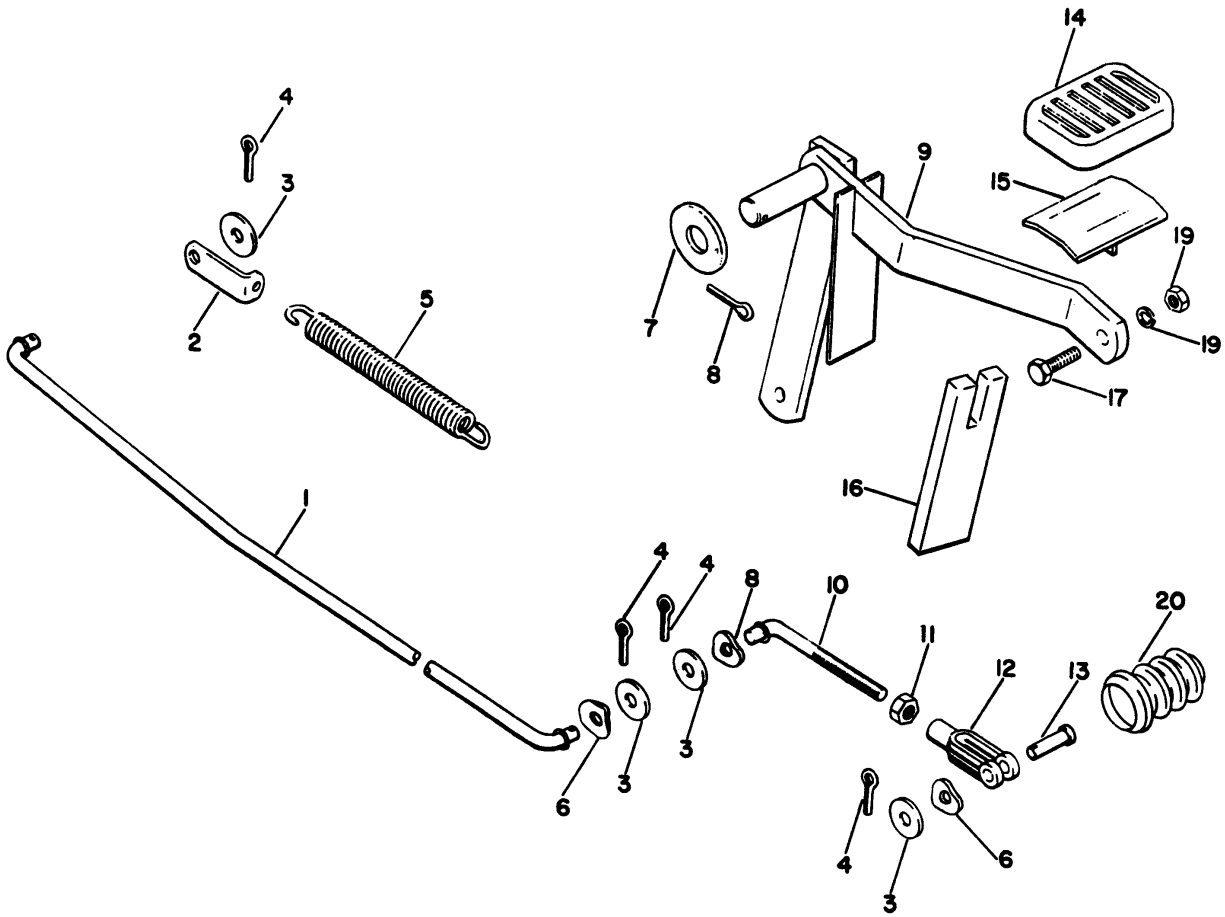
CLUTCH

CLUTCH

#	PART #	DESCRIPTION	QTY	NOTE
1	882339	PLATE AY	1	
2	812914	PIN	3	
3	306372	Cotter Pin, 3/32 x 1/2 in.	3	
4	812913	LEVER BRACKET	3	
5	812917	SCRW, .31-24.50 PS HX SPCL THD	3	
6	812916	CLUTCH REL LEVER	3	
7	879552	SPRING SET, CLUTCH	1	
8	812912	CLUTCH PIN	3	
9	812911	PRESSURE PLATE	1	
10	878856	LINING SET & RIVETS	1	
11	800222	RIVET, #4-3 PB CNTRSNK TUBULAR	8	
12	882134	USE 0812908	1	
13	306555	Screw, 5/16-18 x 5/8 in. Hex Head	6	
14	306325	Lockwasher, 5/16	10	
15	878855	LEVER AY, CLUTCH	1	
16	120219	PIN, COTTER.09 1.00 YS (KC)	1	
17	812902	SPRING, TORSION	1	
18	306971	PIN, RL.188 1.125 CARB STL(KC)	2	
19	878854	YOKE AY, CLUTCH BLK	1	
20	812903	SPRING, TORSION	1	
21	809156	Spacer	1	
22	882343	USE 0812906	1	
23	809260	RING, RETNING INT 1.529 DIA(KC)	1	
24	812899	BRG, BALL.62 1.38.43 "DA"	1	
25	306416	Screw, 5/16-18 x 7/8 in. Hex Head	3	
26	812898	PLATE, CLUTCH MOUNTING	1	
27	306932	Nut, 5/16-18 Hex	1	
28	307662	KEY, WDRUF.25 X 1.0 PS (KC)	1	
29	812896	ADAPTOR, CLUTCH PLATE/CRNKSHAFT	1	
30	131590	SCREW, .31-18 3.00 YS HX G5	1	
31	306460	Screw, #10-24 x 3/8" Slotted Round	1	
32	120052	Lockwasher, #10	1	
33	878869		1	
34	807442	HOUSING	2	
35	812897		1	
36	130538	SCREW, .44-14 1.25 YS HX G5	4	
37	303269	Lockwasher, 7/16	4	
38	308089	Washer, #10	1	

CLUTCH

CLUTCH CONTROLS



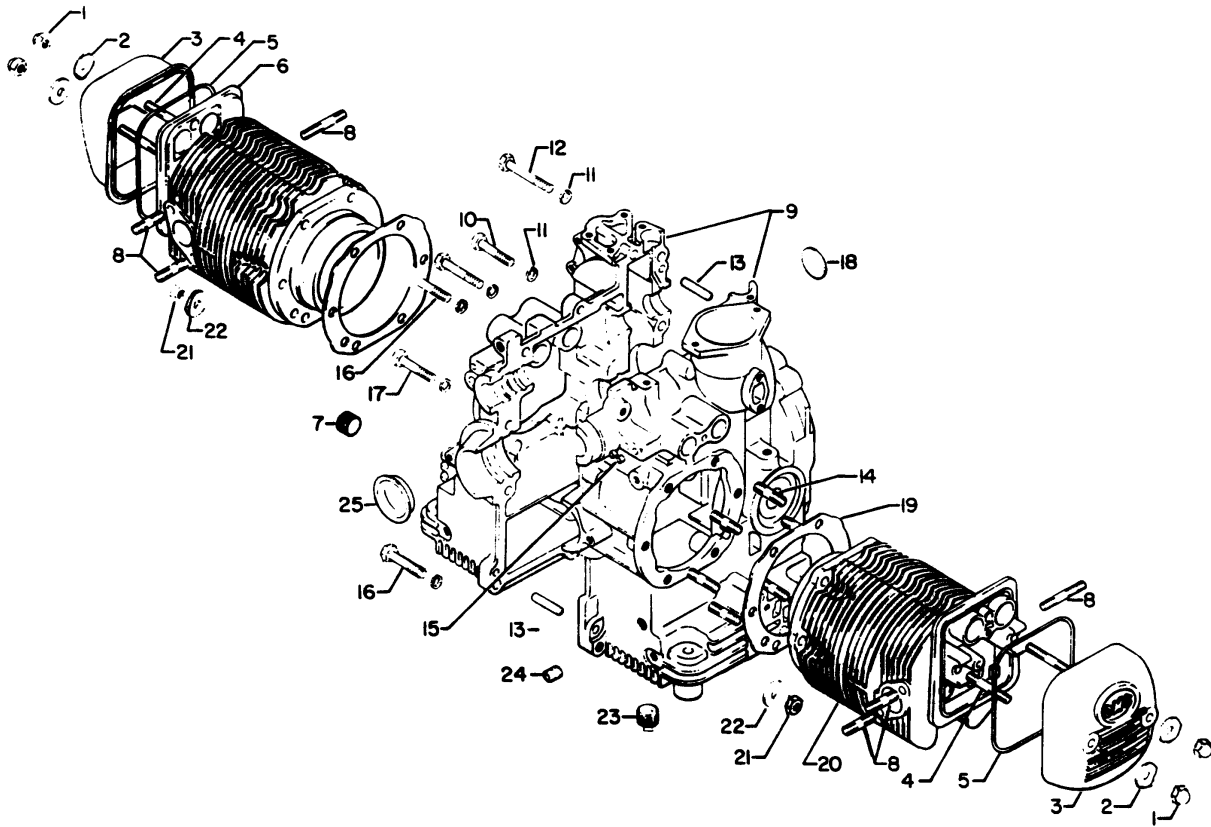
CLUTCH CONTROLS

CLUTCH CONTROLS

#	PART #	DESCRIPTION	QTY	NOTE
1	815449		1	
2	808638	BRACKET, RETURN SPRING	1	
3	103867	Flat Washer, 5/16	4	
4	306328	Cotter Pin, 3/32 x 3/4"	4	
5	805376	SPRING,EXTENSION	1	
6	800254	Lockwasher, 3/8" Heavy	3	
7	809196	WSHR, .62 1.00.03 NS FLAT (KC)	1	
8	304635	Cotter Pin, 1/8 x 1"	1	
9	879438		1	
10	815450	CLUTCH LEVER ROD	1	
11	306320	Nut, 5/16-24 Hex	1	
12	810722	Yoke	1	
13	814079	Clevis Pin, 5/16 x 1-1/8 in.	1	
14	810152	Pad, Pedal	1	
15	878548	PEDAL AY	1	
16	814349	SEAL	1	
17	306414	Screw, 3/8-16 X 1" Hex Head	1	
18	120177	Lockwasher, 3/8	1	
19	306562	Nut, 3/8-16 Hex	1	
20	811928	BOOT, MASTER CYL	1	

CLUTCH CONTROLS

CRANKCASE & CYLINDER



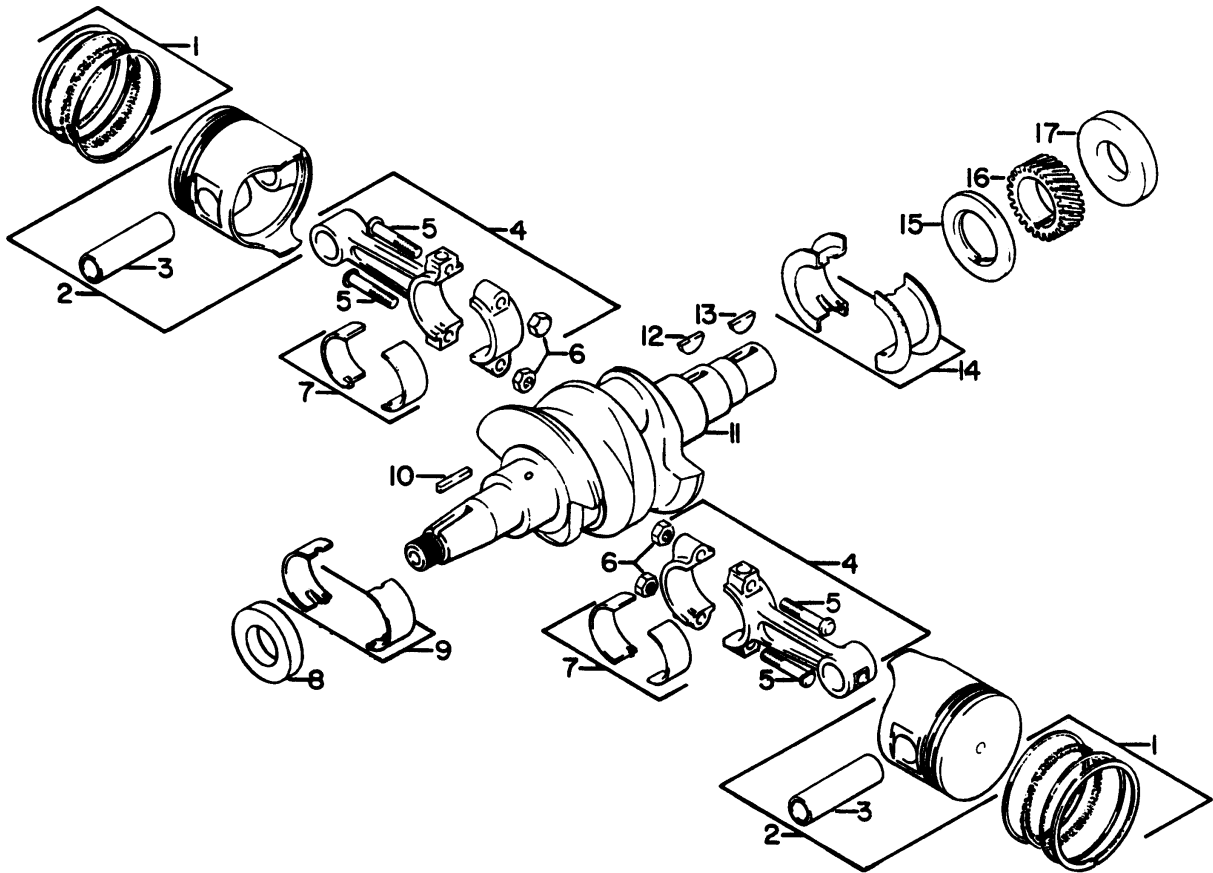
CRANKCASE & CYLINDER

CRANKCASE & CYLINDER

#	PART #	DESCRIPTION	QTY	NOTE
	160440	LIFT SHAFT	1	
	112008	CEMENT	1	
	160427		1	
	160426		1	
1	800217	NUT.31-24 YS HX ACORN (KC)	4	
2	111828	GASKET	4	
3	111731	CASTING, COVER, VALVE	2	
4	111762	STUD (KC)	4	
5	111716	GASKET	2	
6	160352		1	
7	800231	PLUG - PIPE	1	
8	111786	STUD	8	
9	160354	CRANKCASE	1	
10	307776	Screw, 3/8-16 x 2-3/4 in. Hex Head	2	
11	306353	LWSHR,.38.07 YS SPRING (KC)	13	
12	306837	Screw, 3/8-16 x 3-1/4" Hex Head	1	
13	111043	TAPER PIN	2	
14	111758	Stud, 3/8-16 & 3/8-24 x 1-23/32	12	
15	114082	PLUG	4	
16	302600	SCRW,.38-16 1.50 YS HX G5 (KC)-USE 40026	8	
17	551094	SCREW, .38-16 1.75 YS HX G5	2	
18	308132	PLUG,EXPANSION 1.312 NA	1	
19	111715	GASKET	2	
20	160352		1	
21	805837	Locknut, 3/8-24 Special	12	
22	306405	Washer, 3/8	12	
23	111071	PLUG, OIL DRAIN	1	
24	800228	PLUG,.75-14NPTF ZS HS (SHORT)	1	
25	111961	COVER, CAMSHAFT (PLATED)	1	

CRANKCASE & CYLINDER

CRANKSHAFT, CONNECTING RODS AND PISTONS



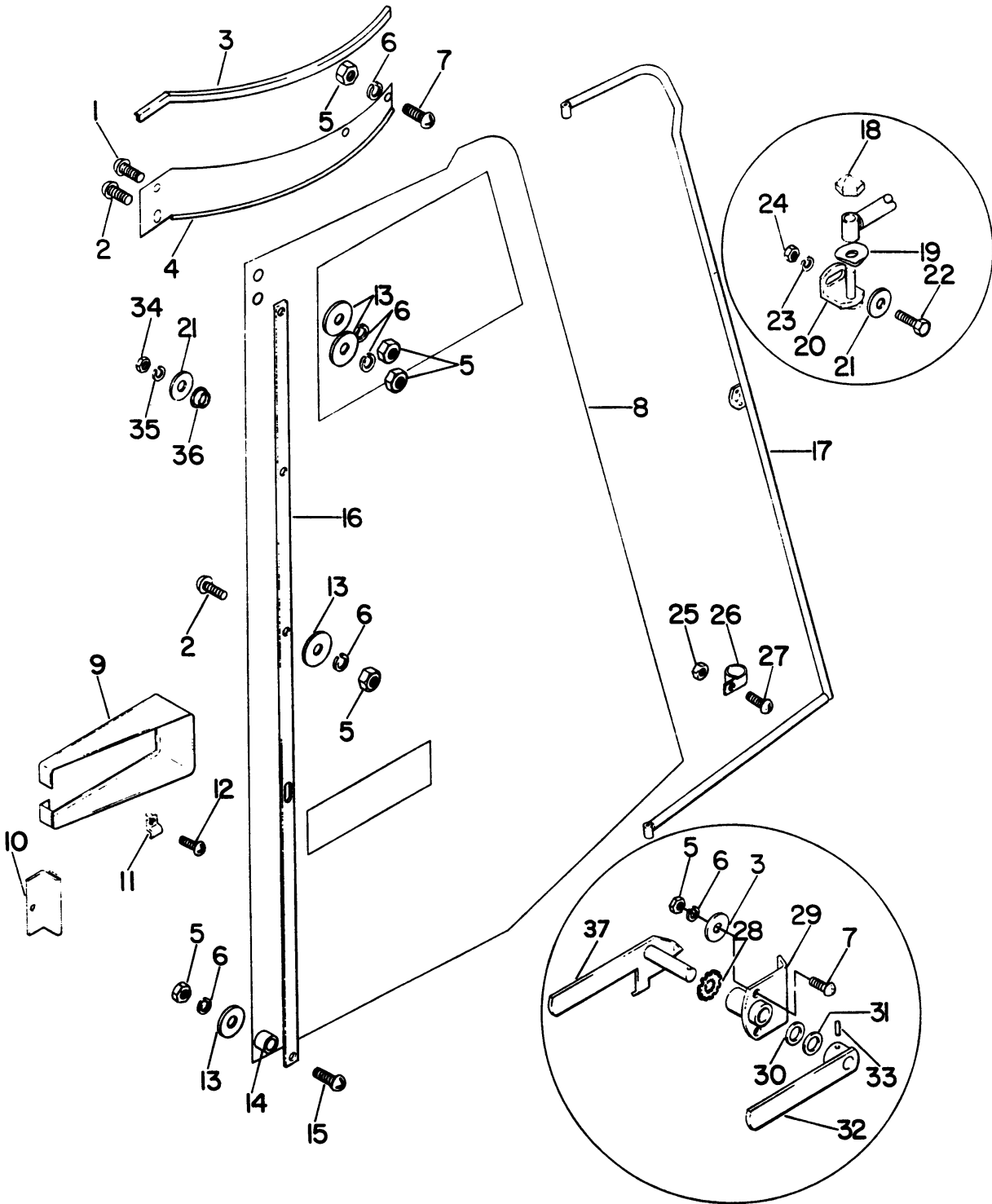
CRANKSHAFT, CONNECTING RODS AND PISTONS

CRANKSHAFT, CONNECTING RODS AND PISTONS

#	PART #	DESCRIPTION	QTY	NOTE
	112464		1	
	160435	PISTON RING SET,.020 O.S.	2	
	160436	PISTON RING SET,.030 O.S.	2	
	112455		2	
	160442	PISTON & WRIST PIN SET	2	
	160443	PISTON & WRIST PIN SET	2	
	112456		2	
	112459		1	
	112460		1	
	112463		1	
1	160434	PISTON RING SET	2	
2	160441	PISTON & WRIST PIN SET.	2	
3	111664		2	
4	160363	ROD AY, CONNECTING	2	
5	111694	BOLT, ROD	4	
6	800221	Nut, Hex Crownlock 5/16 - 24	4	
7	112454		2	
8	111729	SEAL	1	
9	112458		1	
10	111807	KEY,RECTANGLE.19.25 1.06 PS	1	
11	111663	CRANKSHAFT - TWIN	1	
12	307661	KEY,WDRUF.19 X.88 PS	1	
13	30662	Key, crankshaft, rear	1	
14	112462		1	
15	111659	SPACER WASHER	1	
16	111656	PINION	1	
17	111756		1	

CRANKSHAFT, CONNECTING RODS AND PISTONS

DOORS



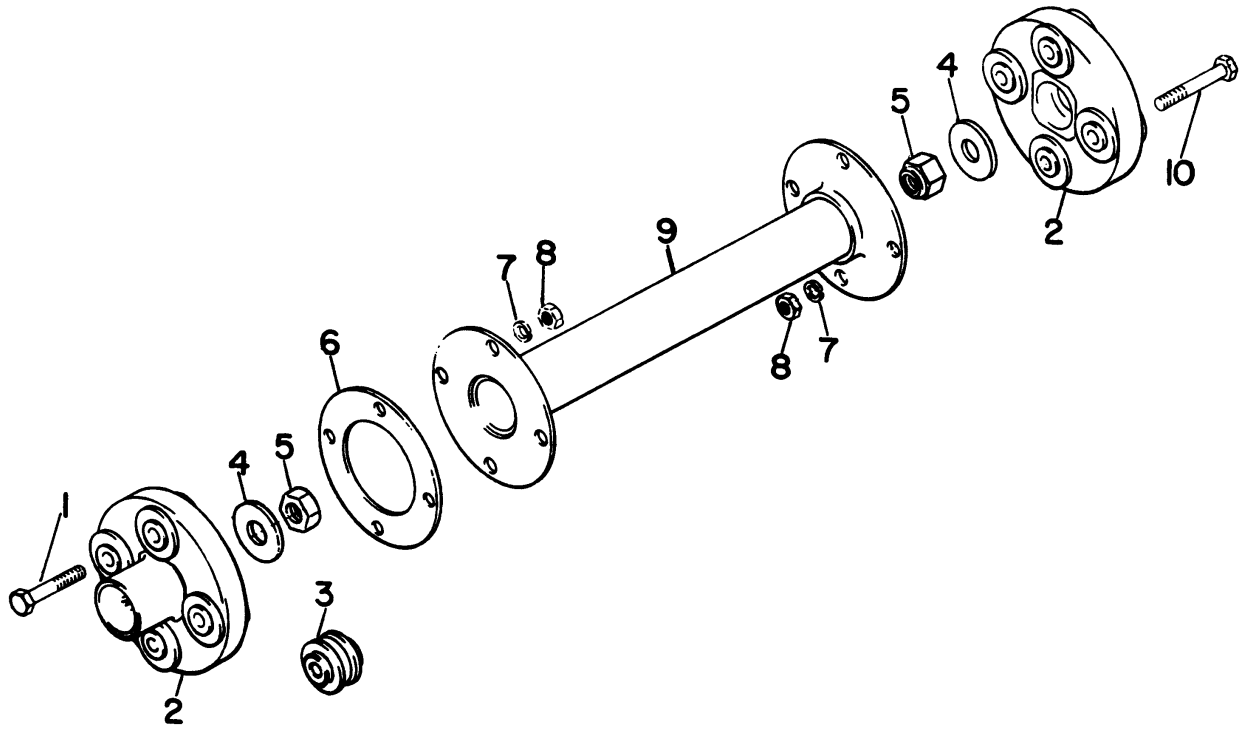
DOORS

DOORS

#	PART #	DESCRIPTION	QTY	NOTE
	818348	Panel, upper filler right	1	
	881221		1	
	881215		1	
	881224	INNER LT HANDLE AY	1	
1	800271	Screw, #10-24 x 1/2" Pan Head	10	
2	800296	Screw, #10-24 x 3/4" Truss Head Machine	8	
3	818345	Seal, filler to roof	2	
4	818347	Panel, upper filler left	1	
5	306531	Nut, #10-24 Hex	20	
6	120052	Lockwasher, #10	24	
7	800271	Screw, #10-24 x 1/2" Pan Head	10	
8	881214		1	
9	818377		2	
10	818378		2	
11	111898	Clamp, Cable	8	
12	800147	TSCRW,#10-16.75 YS OR (KC)	10	
13	303952	Flat Washer, #10	12	
14	812644	SPACER,CAB BACK	2	
15	800299	Screw, #10-24 x 1" Truss Head	2	
16	818349	STRIP, CURTAIN MOUNTING	2	
17	881220	Rod Assembly, door right	1	
18	818343	LOCKNUT	4	
19	800303	WSHR,.25.45.093 SPS SPRNG KC	4	
20	881219	DOOR PIVOT AY	4	
21	308090	Flat Washer, 1/4	4	
22	300646	Screw, 1/4-20 x 3/4" Hex Head	4	
23	306396	Lockwasher, 1/4	4	
24	306375	Nut, 1/4-20 Hex	4	
25	819176	NUT	4	
26	818379	CLAMP	4	
27	800022	SCRW,#10-24.38 YS PR G5	4	
28	818342	RING, RETAINING LOCK	2	
29	881222	HANDLE MTG BRKT AY	2	
30	306981	Flat Washer, 3/8	2	
31	800254	Lockwasher, 3/8" Heavy	2	
32	881223	OUTER HANDLE AY	2	
33	306966	PIN,RLL.125.750 CARBN STL KC	2	
34	133079	NUT,#8-32 YS HX (KC)	4	
35	306310	LOCKWASHER,#8.04 YS SPRING (KC)	4	
36	818376	STUD (KC)	4	
37	881213		1	

DOORS

DRIVE SHAFT



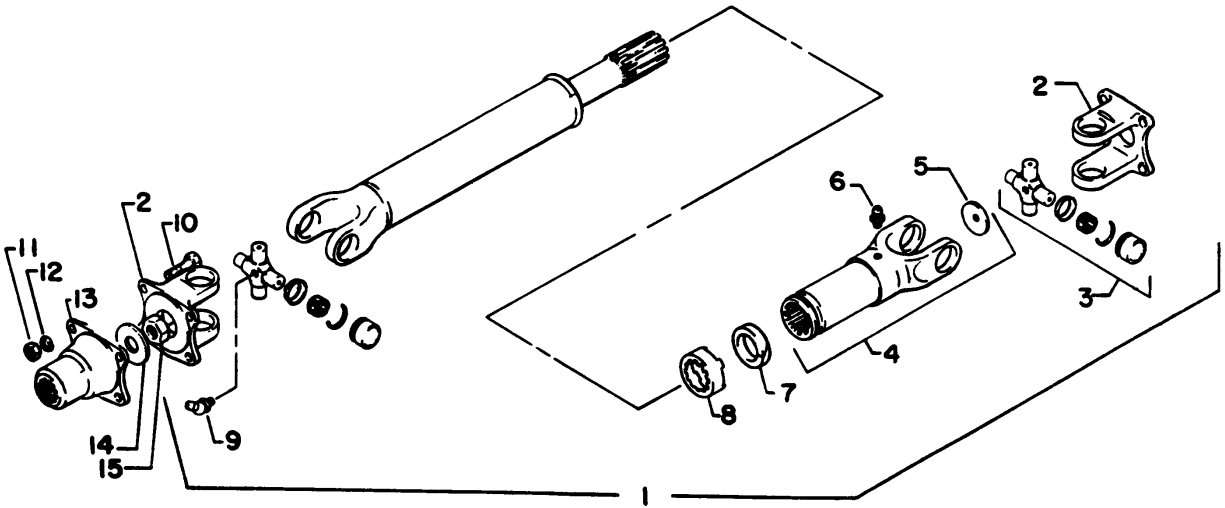
DRIVE SHAFT

DRIVE SHAFT

#	PART #	DESCRIPTION	QTY	NOTE
	880195		1	
1	311411	SCRW, .31-18 1.62 YS HX G5	4	
2	878534	COUPLING AY, FLEX	2	
3	810143	BUSHING, RUBBER	8	
4	809180	Flat Washer, 1/2	2	
5	800198	Locknut, 1/2-20	2	
6	812327	DRIVESHAFT SPACER	3	
7	306325	Lockwasher, 5/16	8	
8	306932	Nut, 5/16-18 Hex	8	
9	879935		1	
10	306423	Screw, 5/16-18 x 1-3/4 in. Hex Head	4	

DRIVE SHAFT

DRIVE SHAFT (1 Ton Flatbed)



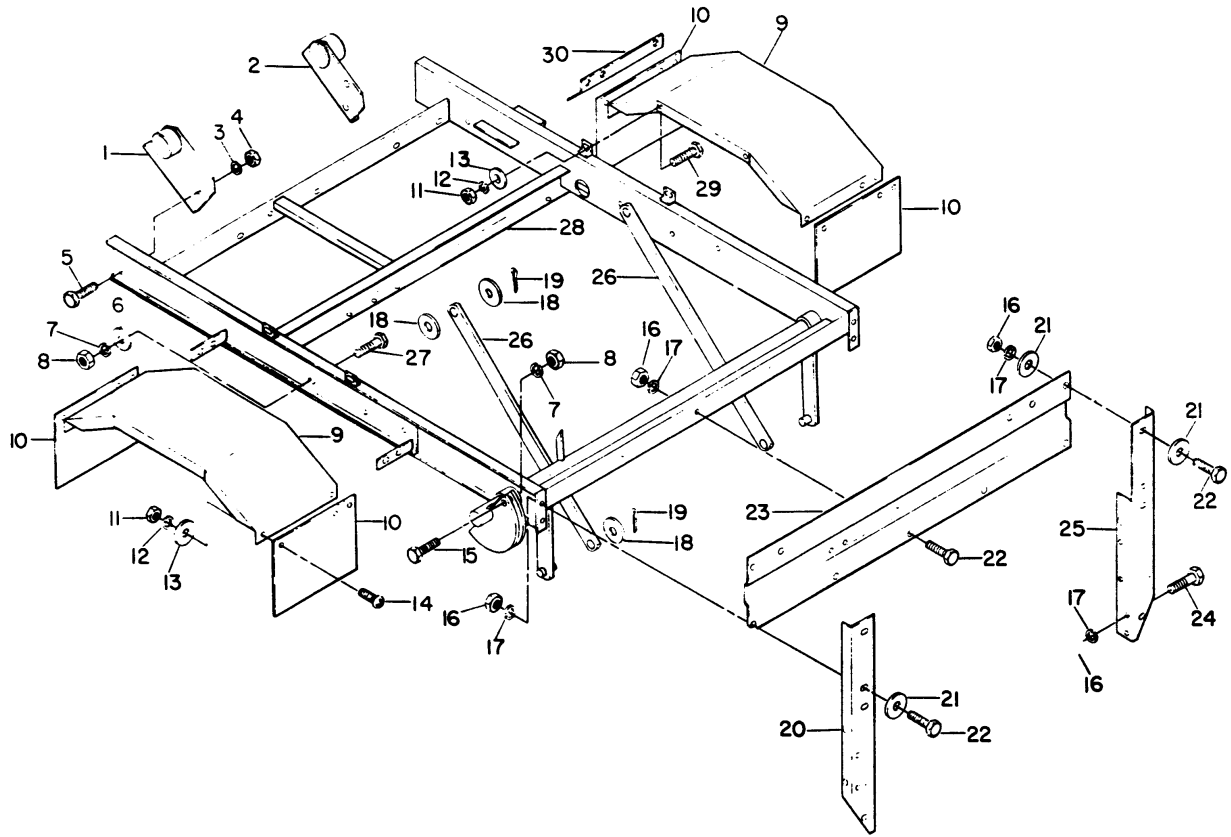
DRIVE SHAFT (1 Ton Flatbed)

DRIVE SHAFT (1 Ton Flatbed)

#	PART #	DESCRIPTION	QTY	NOTE
1	816801		1	
2	817334		2	
3	817335		2	
4	817338		1	
5	817337	PLUG	1	
6	807447		1	
7	817427	SEAL	1	
8	817336		1	
9	807443	Grease Fitting, 45°	2	
10	306322	Screw, 5/16-18 x 7/8 in. Hex Head	8	
11	306932	Nut, 5/16-18 Hex	8	
12	306325	Lockwasher, 5/16	8	
13	816802		2	
14	8C9180	WASHER	2	
15	8C0198	Nut 1/2-20 Conelock	2	

DRIVE SHAFT (1 Ton Flatbed)

DUMP BOX PLATFORM



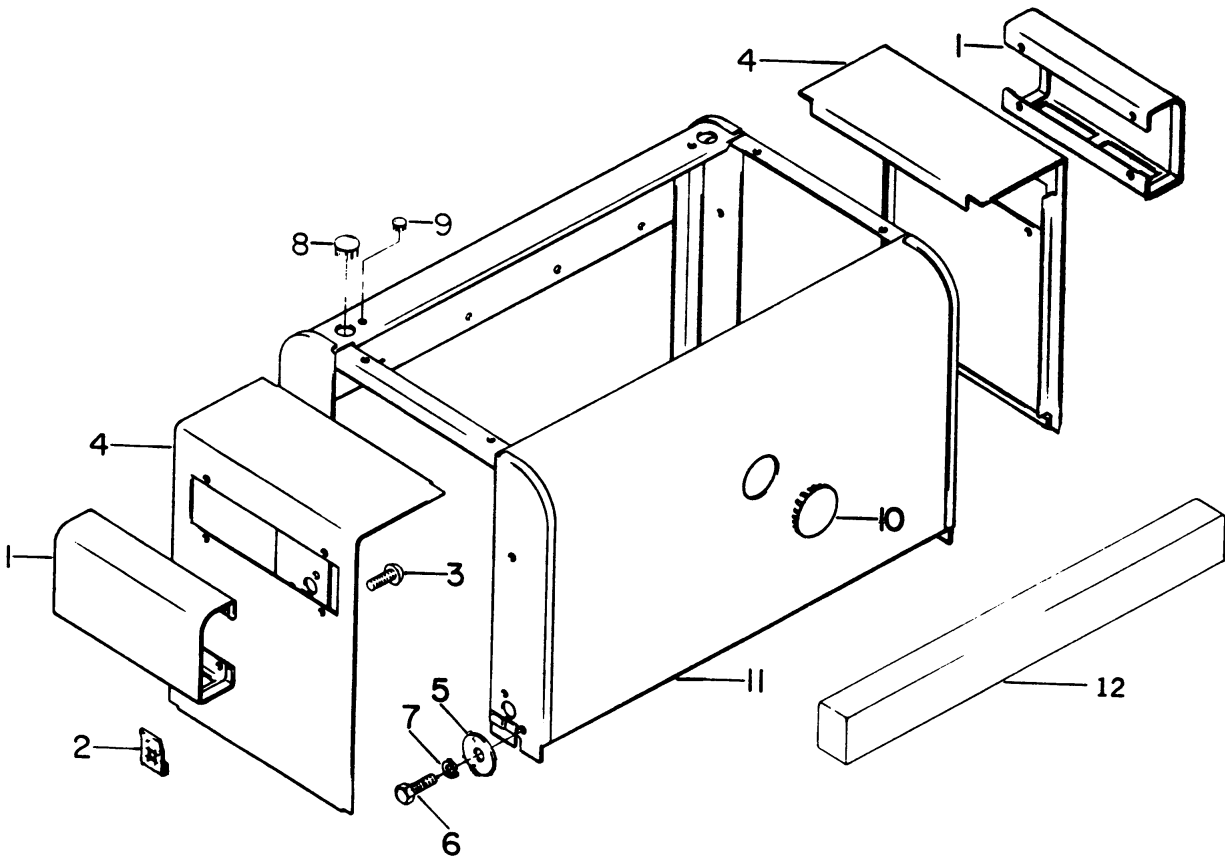
DUMP BOX PLATFORM

DUMP BOX PLATFORM

#	PART #	DESCRIPTION	QTY	NOTE
	882351		1	
1	881846	Pivot, right	1	
2	881847		1	
3	303269	Lockwasher, 7/16	4	
4	304364	NUT, .44-14 YS HEX (KEG KC)	4	
5	130538	SCREW, .44-14 1.25 YS HX G5	4	
6	306981	Flat Washer, 3/8	4	
7	120177	Lockwasher, 3/8	5	
8	306562	Nut, 3/8-16 Hex	5	
9	820436		2	
10	820431	MUD FLAP	4	
11	306375	Nut, 1/4-20 Hex	16	
12	306396	Lockwasher, 1/4	16	
13	308090	Flat Washer, 1/4	12	
14	800019	SCREW, .25-20.50 YS PR G5	12	
15	302600	SCRW, .38-16 1.50 YS HX G5 (KC)-USE 40026	1	
16	306932	Nut, 5/16-18 Hex	13	
17	306325	Lockwasher, 5/16	13	
18	809156	Spacer	6	
19	120219	PIN,COTTER.09 1.00 YS (KC)	4	
20	815359		1	
21	103867	Flat Washer, 5/16	4	
22	306450	Screw, 5/16-18 x 3/4 in. Hex Head	6	
23	812312		1	
24	306416	Screw, 5/16-18 x 7/8 in. Hex Head	4	
25	815360		1	
26	820368	Arm, pivot	2	
27	306414	Screw, 3/8-16 X 1" Hex Head	4	
28	881936	Frame, platform	1	
29	306419	Screw, 1/4-20 x 1/2 in. Hex Head	4	
30	821283	Bracket mud flap	1	

DUMP BOX PLATFORM

ENGINE COVERS



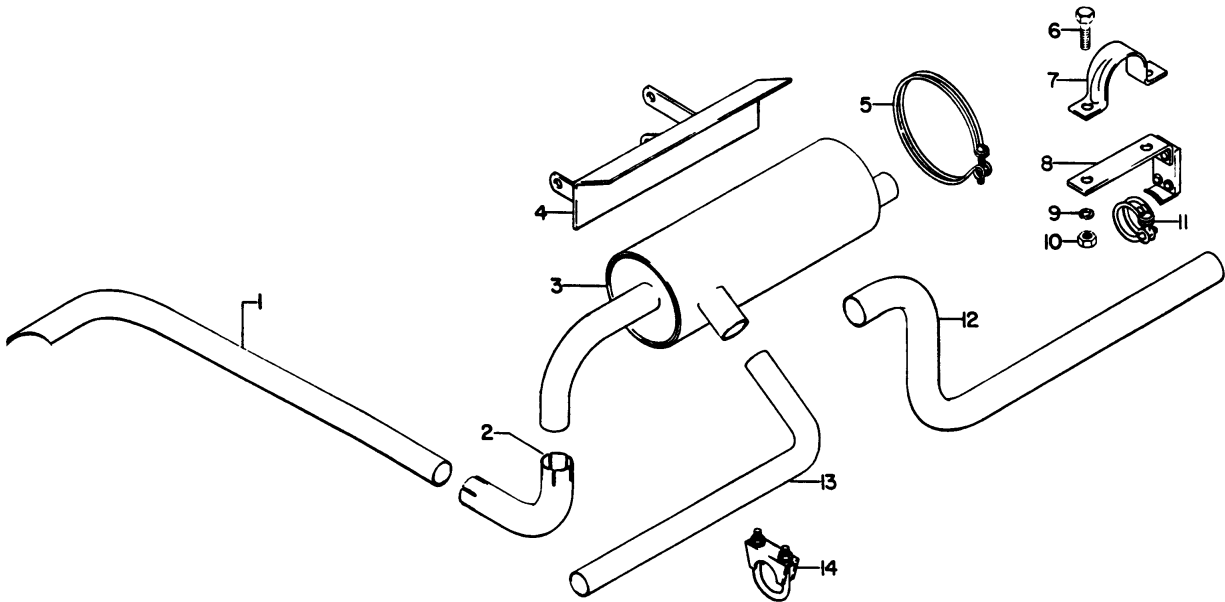
ENGINE COVERS

ENGINE COVERS

#	PART #	DESCRIPTION	QTY	NOTE
1	816978	COOL AIR IN DUCT BLK	2	
2	800196	NUT, .25-20 PS SPEED "J" (KC)	8	
3	800277	SCRW, .25-20.63 YS PR G5	8	
4	880049	PANEL AY, ENGINE COVER	2	
5	308090	Flat Washer, 1/4	4	
6	300646	Screw, 1/4-20 x 3/4" Hex Head	4	
7	306396	Lockwasher, 1/4	4	
8	816090	PLUG,HOLE	1	
9	811733	PLUG	1	
10	816698	PLUG BLK	1	
11	880625		1	
12	823335		1	

ENGINE COVERS

EXHAUST SYSTEM



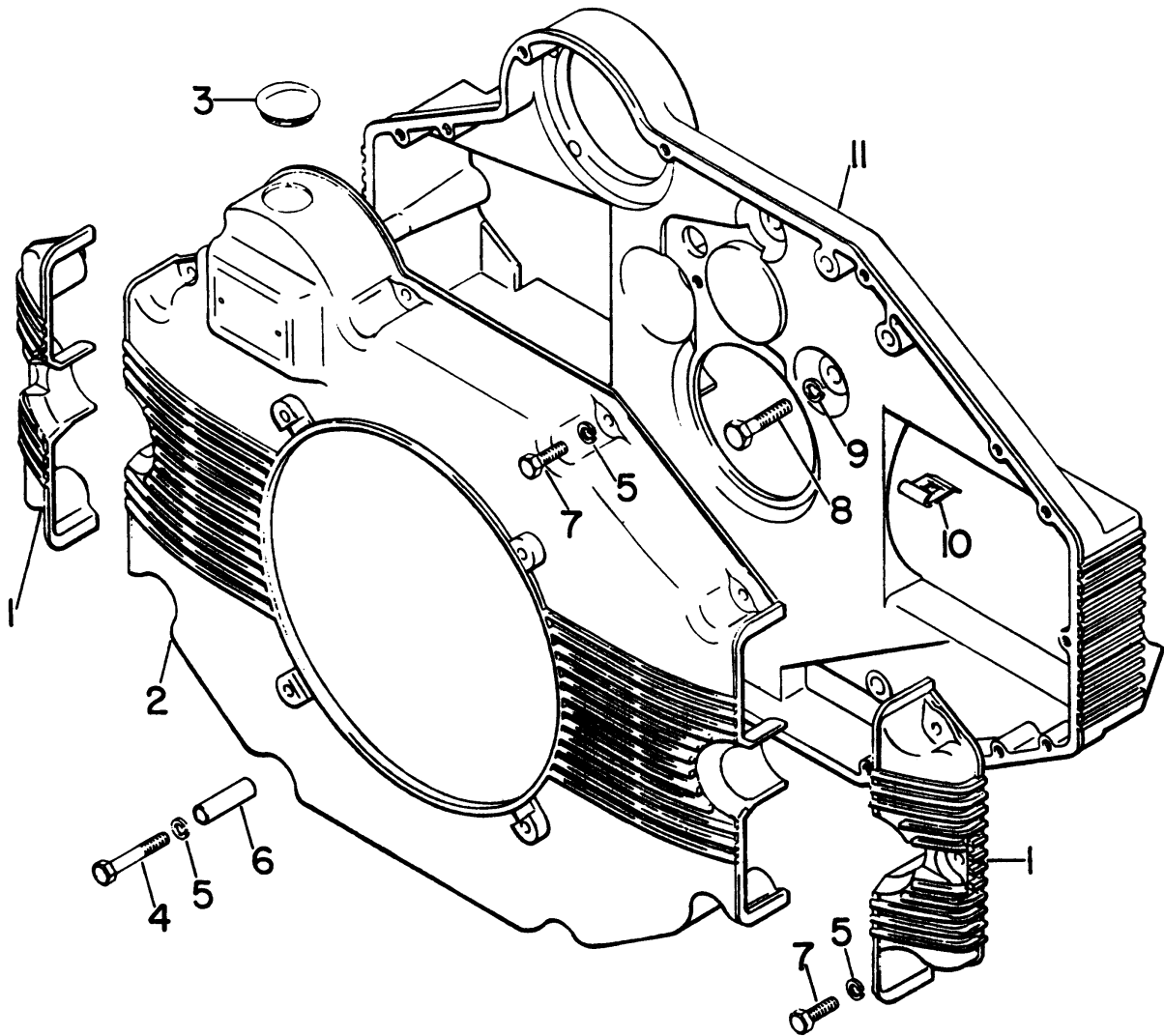
EXHAUST SYSTEM

EXHAUST SYSTEM

#	PART #	DESCRIPTION	QTY	NOTE
	812333		2	
	822928	TUBE HBK	1	
	814403		1	
	822926	TUBE HBK	1	
	882906	MUFFLER AY HBK	1	
	813688	Clamp, Exhaust	5	
	879191		1	
	880178	SUPPORT AY, MUFFLER	1	
	813689	Clamp, 4-1/4" Hose	1	
1	813702	EXH MANIF TUBE-R HBK	1	
2	813700	RIGHT EXHAUST TUBE HBK	1	
3	879194	MUFFLER AY HBK	1	
4	822979		1	
5	813689	Clamp, 4-1/4" Hose	2	
6	306409	SCRW, .25-20.875 YS HX G5 (KC)	2	
7	814063	Clamp	1	
8	879337		1	
9	306396	Lockwasher, 1/4	2	
10	306375	Nut, 1/4-20 Hex	2	
11	812333		1	
12	815424	TAILPIPE TUBE HBK	1	
13	813701	EXH MANIF TUBE-L HBK	1	
14	813688	Clamp, Exhaust	6	

EXHAUST SYSTEM

FAN HOUSING



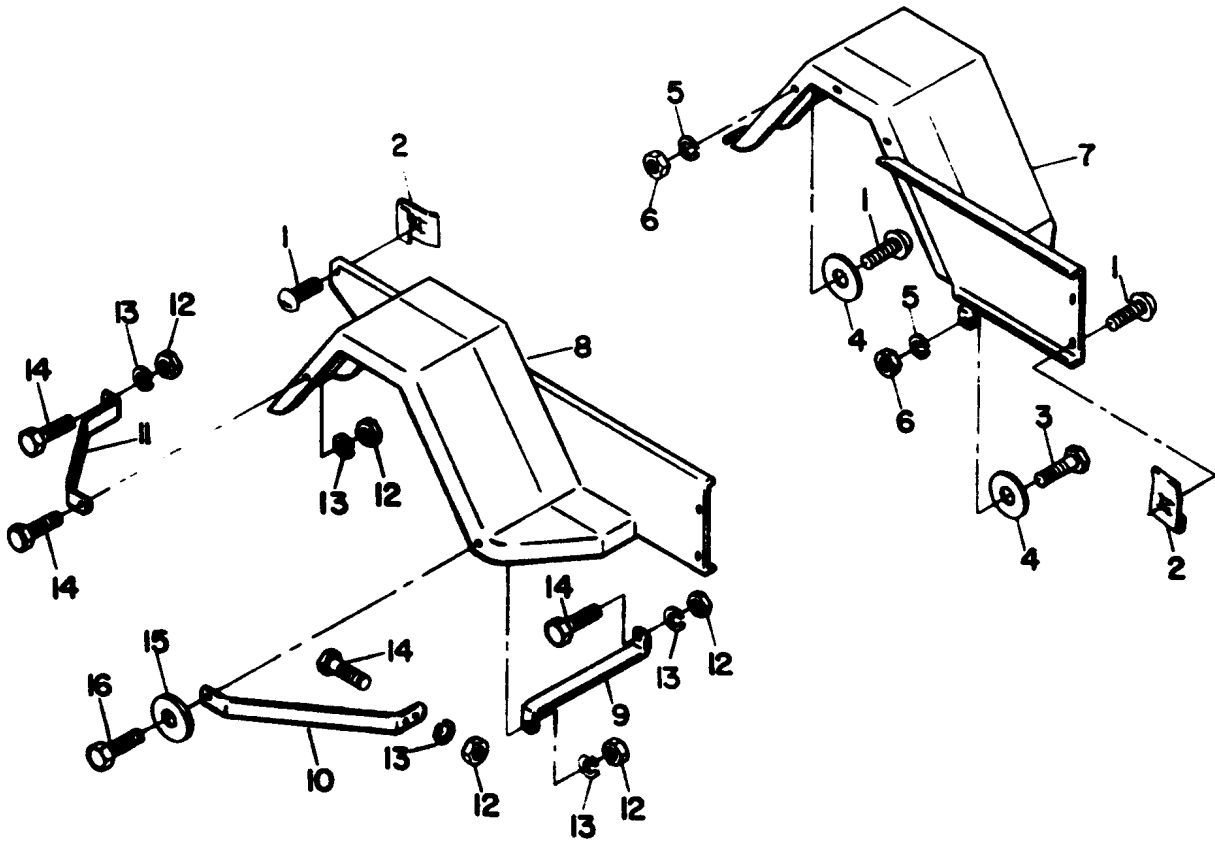
FAN HOUSING

FAN HOUSING

#	PART #	DESCRIPTION	QTY	NOTE
1	111797	CASTING, FAN HOUSING CAP	2	
2	160365	PLUG AY, HSG & HOLE	1	
3	112002	PLUG	1	
4	308480	SCRW, .25-20 2.50 YS HX G5	2	
5	306396	Lockwasher, 1/4	15	
6	111958		2	
7	302288	Screw, 1/4-20 x 1 in. Hex Head	13	
8	302600	SCRW, .38-16 1.50 YS HX G5 (KC)-USE 40026	5	
9	120177	Lockwasher, 3/8	5	
10	111928		4	
11	160640		1	

FAN HOUSING

FENDER (TURF-TRUCKSTER)



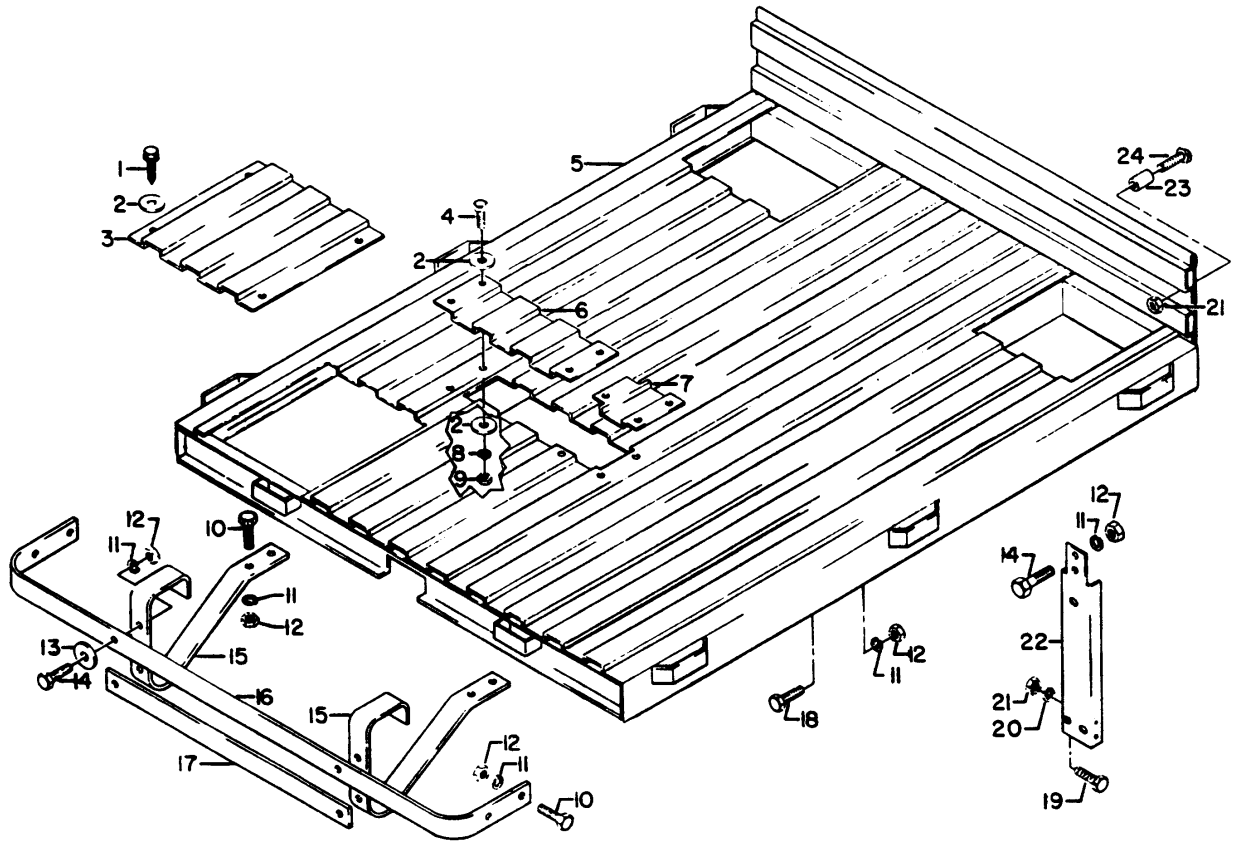
FENDER (TURF-TRUCKSTER)

FENDER (TURF-TRUCKSTER)

#	PART #	DESCRIPTION	QTY	NOTE
1	800026	Screw, 1/4-20 x 3/4" Pan Head	12	
2	800196	NUT, .25-20 PS SPEED "J" (KC)	6	
3	300646	Screw, 1/4-20 x 3/4" Hex Head	2	
4	308090	Flat Washer, 1/4	8	
5	306396	Lockwasher, 1/4	8	
6	306375	Nut, 1/4-20 Hex	8	
7	879727	Fender, left (turf-tire)	1	
8	879728		1	
9	815987		2	
10	815986		12	
11	815989		12	
12	306932	Nut, 5/16-18 Hex	12	
13	3063256	Lockwasher, 5/16	12	
14	306322	Screw, 5/16-18 x 7/8 in. Hex Head	10	
15	103867	Flat Washer, 5/16	2	
16	306435	Screw, 5/16-18 x 1-1/4 in. Hex Head	2	

FENDER (TURF-TRUCKSTER)

FLATBED AND REAR BUMPER



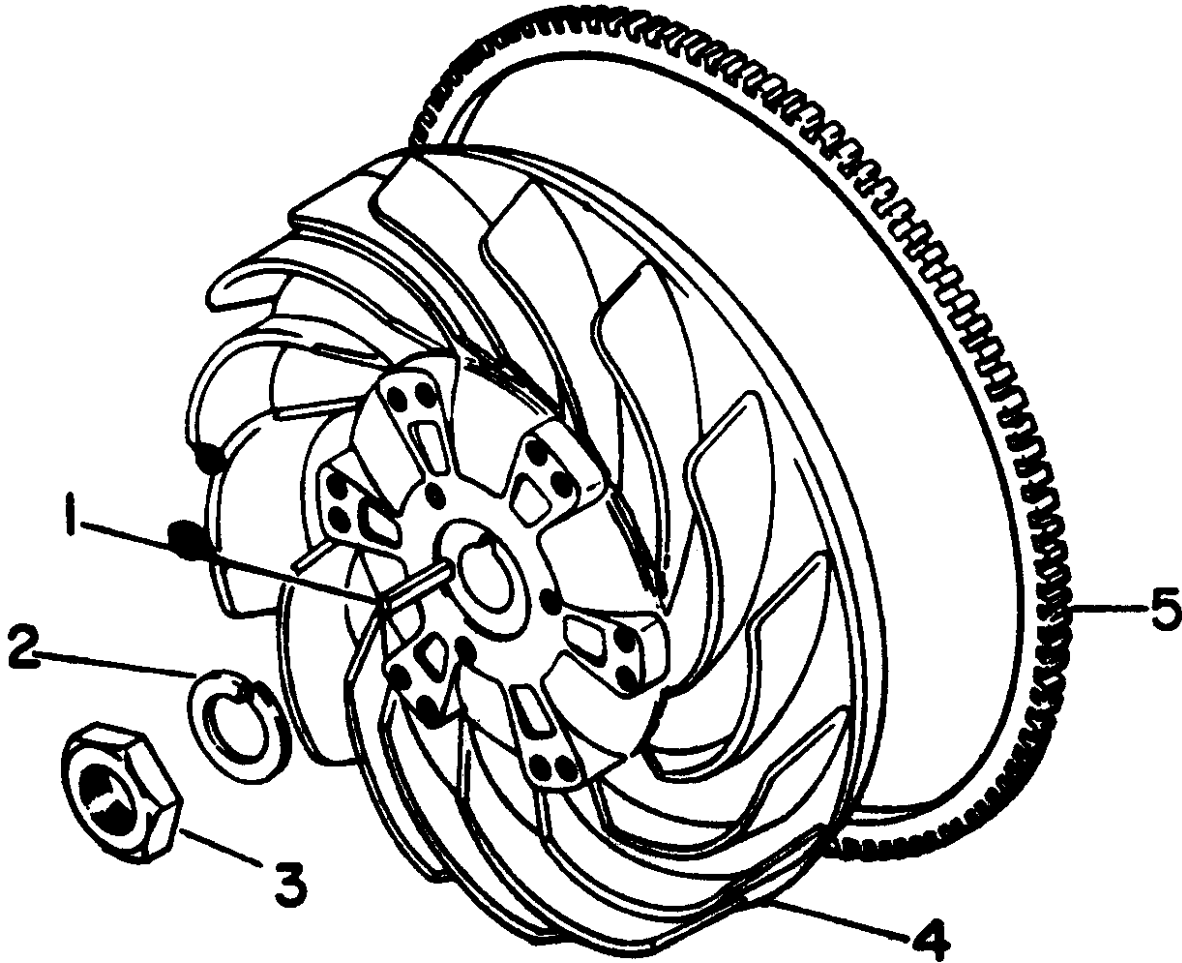
FLATBED AND REAR BUMPER

FLATBED AND REAR BUMPER

#	PART #	DESCRIPTION	QTY	NOTE
1	112050	Screw, 1/4-20 x 5/8 in. Self Tap	4	
2	308090	Flat Washer, 1/4	32	
3	816730		3	
4	300646	Screw, 1/4-20 x 3/4" Hex Head	14	
5	880610	Flatbed	1	
6	880612		1	
7	816908	Cover, left, pulley well	1	
8	306396	Lockwasher, 1/4	14	
9	306375	Nut, 1/4-20 Hex	14	
10	306835	Screw, 3/8-16 x 1-1/4 in. Hex Head	8	
11	120177	Lockwasher, 3/8	20	
12	306562	Nut, 3/8-16 Hex	20	
13	306981	Flat Washer, 3/8	4	
14	306834	Screw, 3/8-16 x 3/4 in. Hex Head	10	
15	816733	MEMBER BLK	2	
16	816734	Bumper, upper	1	
17	816732		1	
18	306834	Screw, 3/8-16 x 3/4 in. Hex Head	2	
19	306419	Screw, 1/4-20 x 1/2 in. Hex Head	4	
20	306325	Lockwasher, 5/16	8	
21	306932	Nut, 5/16-18 Hex	8	
22	816736	MEMBER-FRONT SUPPORT	2	
23	816933	SPACER	4	
24	130167	SCRW, .31-18 2.25 YS HX G5	4	

FLATBED AND REAR BUMPER

FLYWHEEL



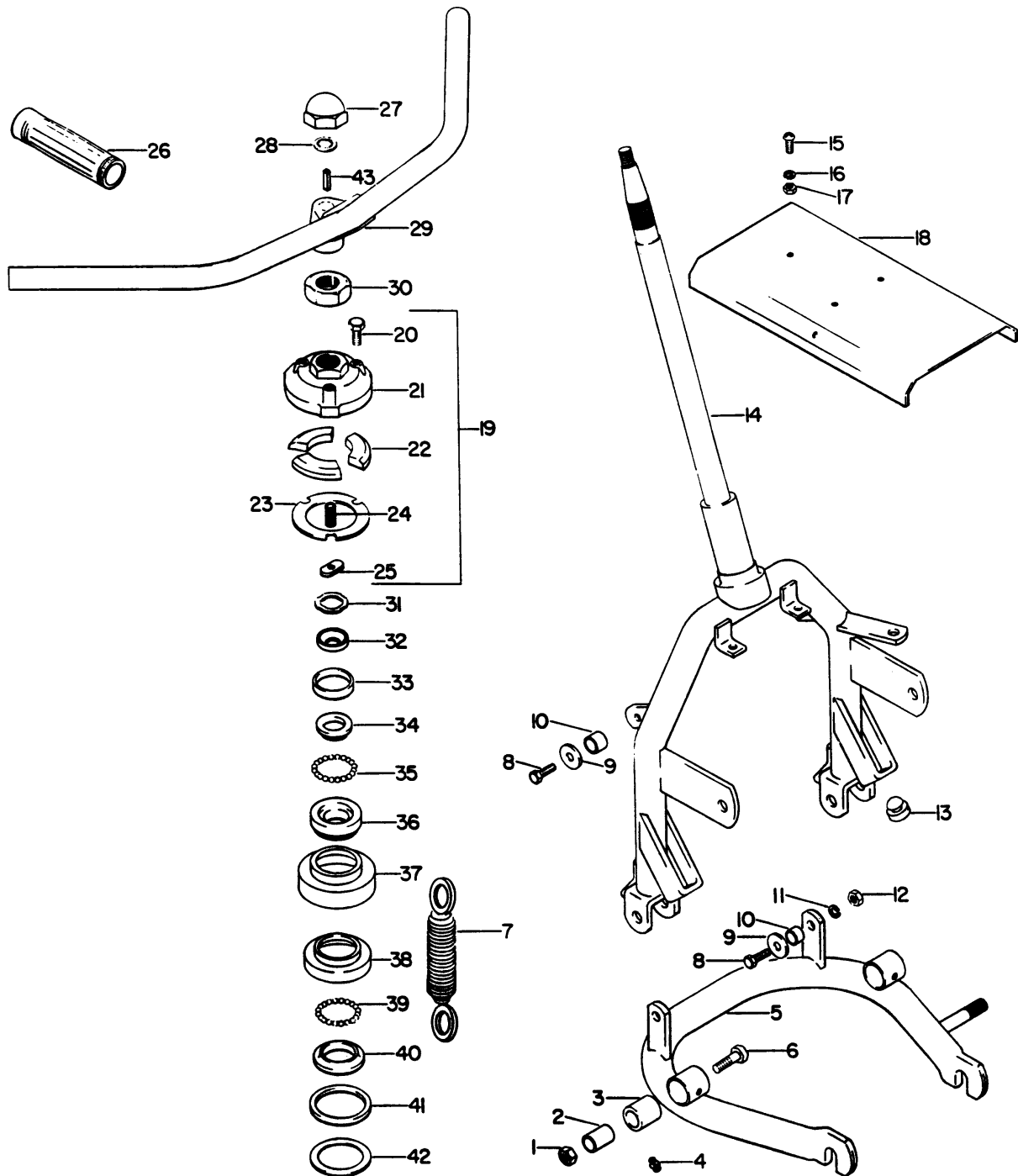
FLYWHEEL

FLYWHEEL

#	PART #	DESCRIPTION	QTY	NOTE
1	111807	KEY,RECTANGLE.19.25 1.06 PS	1	
2	308008	Lockwasher, 7/8	1	
3	305134	Nut, 7/8-14 Hex Jam	1	
4	580563	FLYWHEEL&GEAR AY DISCONTINUED BY SUPPLI	1	
5	510551	GEAR, RING	1	

FLYWHEEL

FORK



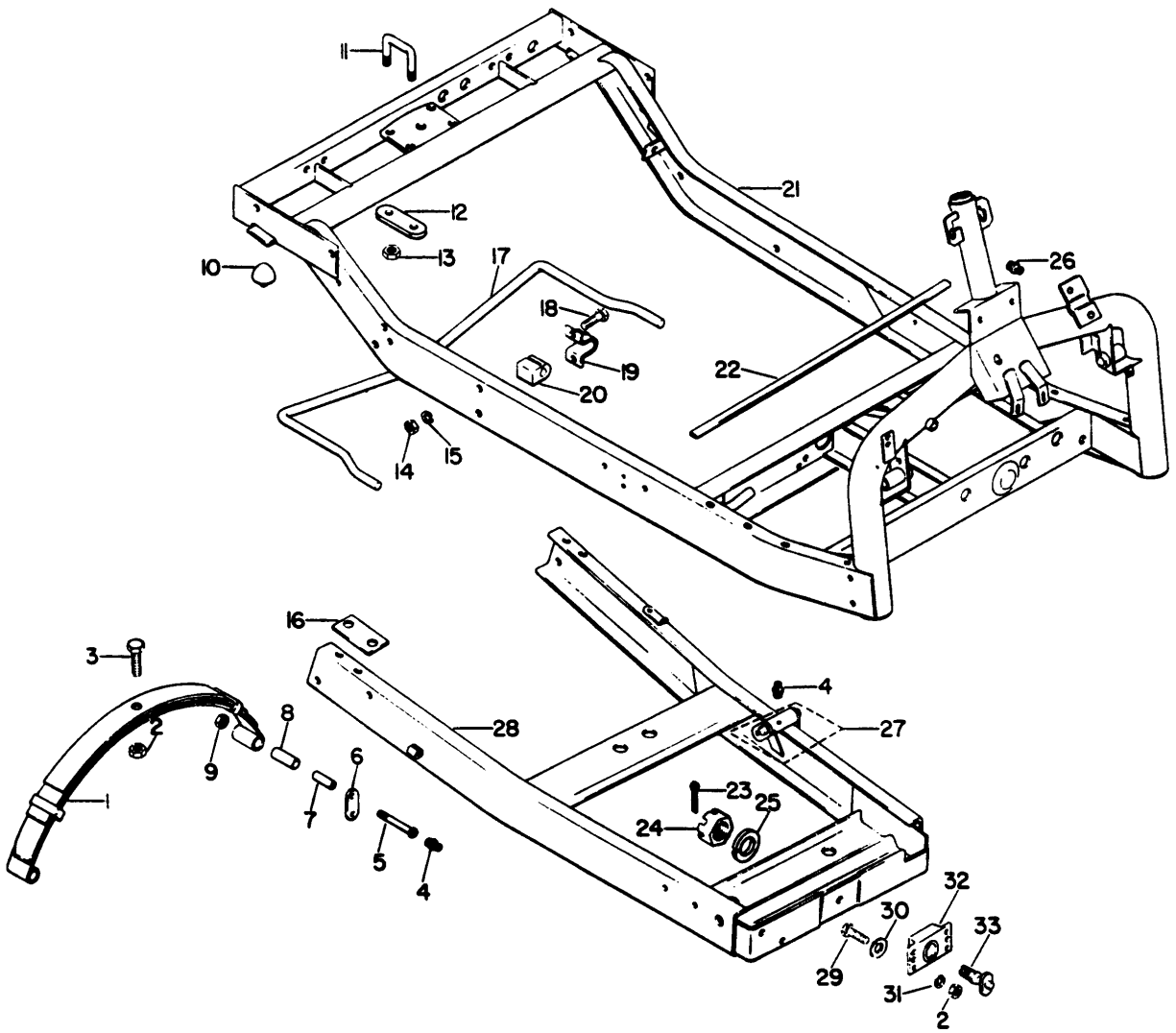
FORK

FORK

#	PART #	DESCRIPTION	QTY	NOTE
	879524	Fork complete	1	
1	800293	NUT,.44-14 YS HX CNTRLCK JM KC	2	
2	808969	BUSHING,.45.62 1.14 H.T.STL	2	
3	805189	BEARING	2	
4	807439	Fitting, Lubrication, 1/4-28	2	
5	879423	TUBE AY, AXLE MTG BLK	1	
6	311392	Screw, 7/16-14 x 2" Hex Head	2	
7	805423	SPRING, EXTENSION	2	
8	306835	Screw, 3/8-16 x 1-1/4 in. Hex Head	4	
9	306981	Flat Washer, 3/8	4	
10	809034	BUSHING	4	
11	120177	Lockwasher, 3/8	4	
12	306562	Nut, 3/8-16 Hex	4	
13	810149	Bumper, Side	2	
14	879422	TUBE AY, FORK BLK	1	
15	800019	SCREW,.25-20.50 YS PR G5	3	
16	306396	Lockwasher, 1/4	3	
17	306375	Nut, 1/4-20 Hex	3	
18	814264	COVER, SPLASH	1	
19	879586		1	
20	306418	SCRW,.25-20 1.125 YS HX G5 KC	3	
21	814779		1	
22	814513	BLOCK, DAMPER FRICTION	3	
23	814751	RETAINER, BLOCK (PLATED)	1	
24	805351	SPRING, COMPRESSION	3	
25	800201	NUT, SPOT WELD.25-20 PS ARDEN	3	
26	807472	GRIP,HANDLE	2	
27	800057	NUT	1	
28	306994		1	
29	878571		1	
30	305134	Nut, 7/8-14 Hex Jam	1	
31	809221	WSHR,.91 1.38.12 SPS WAVE (KC	1	
32	814961	WASHER (KC)	1	
33	812167	SEAL,DUST	1	
34	808076	CONE, KING PIN BEARING	1	
35	800128	BALL,.19 DIA CHROME STEEL	20	
36	812098	KING PIN BRG CUP	1	
37	816952	HOUSING BEARING	1	
38	816951	CUP,BEARING-LOWER KING PIN	1	
39	800130	BALL,.250 DIA CHROME STEEL	25	
40	815232	CONE,BEARING-LOWER KING PIN	1	
41	815234	SEAL,FELT	1	
42	815233	WSHR,1.78 2.62.05 YS FLAT (KC	1	
43	816659	KEY,.15SQ X 1.25LG PS (KC)	1	

FORK

FRAME



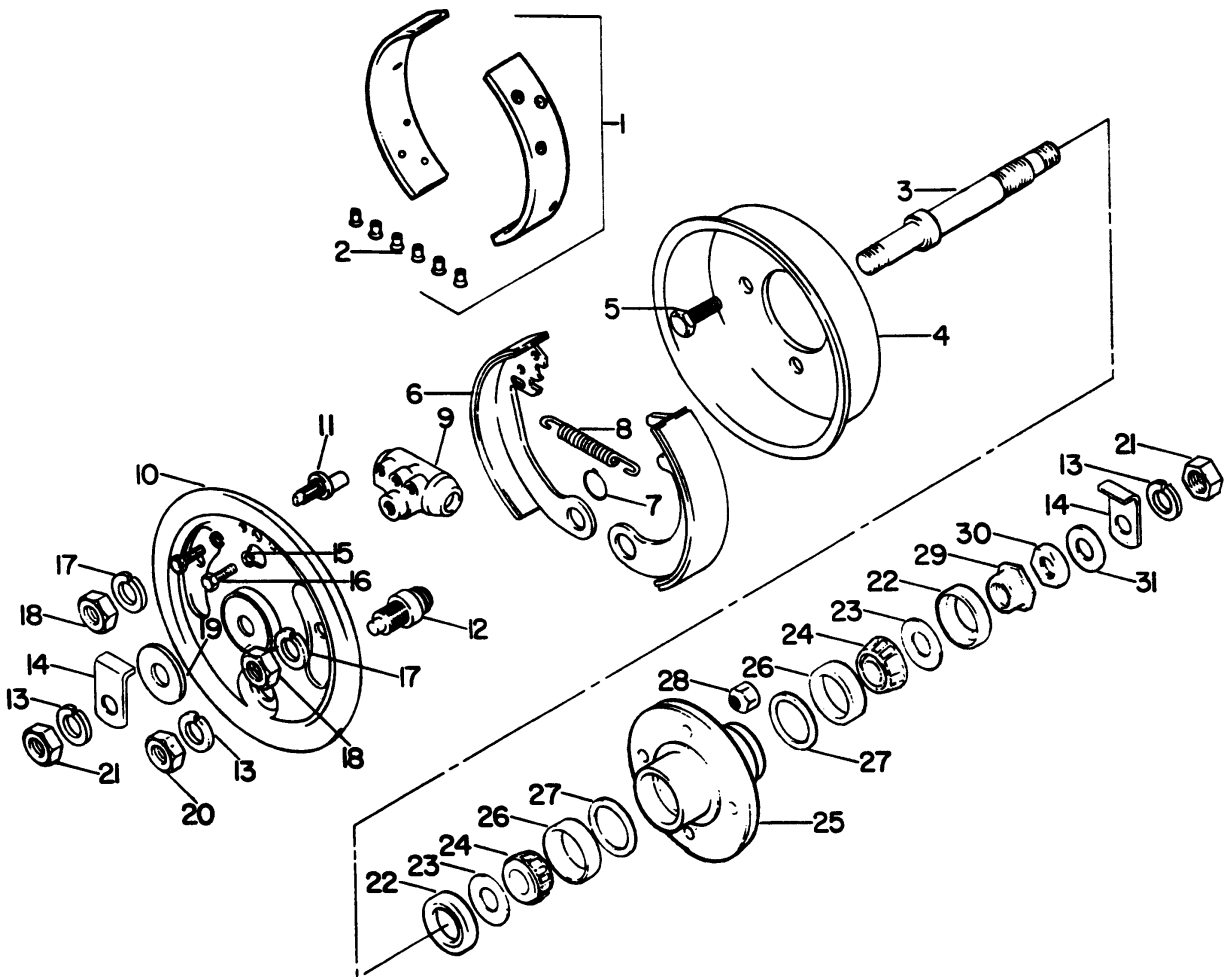
FRAME

FRAME

#	PART #	DESCRIPTION	QTY	NOTE
	880911	Main frame	1	
	821734	BUSHING	1	
	880785	Power frame	1	
1	875142	SPRING AY, LEAF	1	
2	306932	Nut, 5/16-18 Hex	1	
3	806252	SCRW.,31-24 1.25 ZS SPRG CNTR	1	
4	807442	HOUSING	2	
5	806253	SCREW	4	
6	805953	SPRG SHACKLE ARM	4	
7	808996	SPACER	4	
8	805196	BEARING, SPRING	2	
9	800292	Nut, 3/8-16 Centerlock	4	
10	813850	Bumper, Travel Limiting	2	
11	815416	U-BOLT	2	
12	812218	PLATE (PLATED)	2	
13	800294	Locknut, 7/16-14 Hex Center	4	
14	306562	Nut, 3/8-16 Hex	8	
15	120177	Lockwasher, 3/8	8	
16	816517	WASHER	2	
17	816715		1	
18	306835	Screw, 3/8-16 x 1-1/4 in. Hex Head	8	
19	812215	BAR MTG BRACKET	4	
20	816667	BLOCK,STABILIZER	4	
21	880343		1	
22	812590	Padding, frame	1	
23	120310	PIN,COTTER	1	
24	306839	Nut, 5/8-18 Slotted Hex	1	
25	306494	LWSHR.,62.12 YS SPRNG (KEG KC	1	
26	807443	Grease Fitting, 45°	1	
27	878852	PIVOT AY	1	
28	879903		1	
29	306450	Screw, 5/16-18 x 3/4 in. Hex Head	4	
30	103867	Flat Washer, 5/16	4	
31	306325	Lockwasher, 5/16	4	
32	813679	POWER FRAME MOUNT	1	
33	878485	STUD AY (PLATED)	1	

FRAME

FRONT HUB AND BRAKE



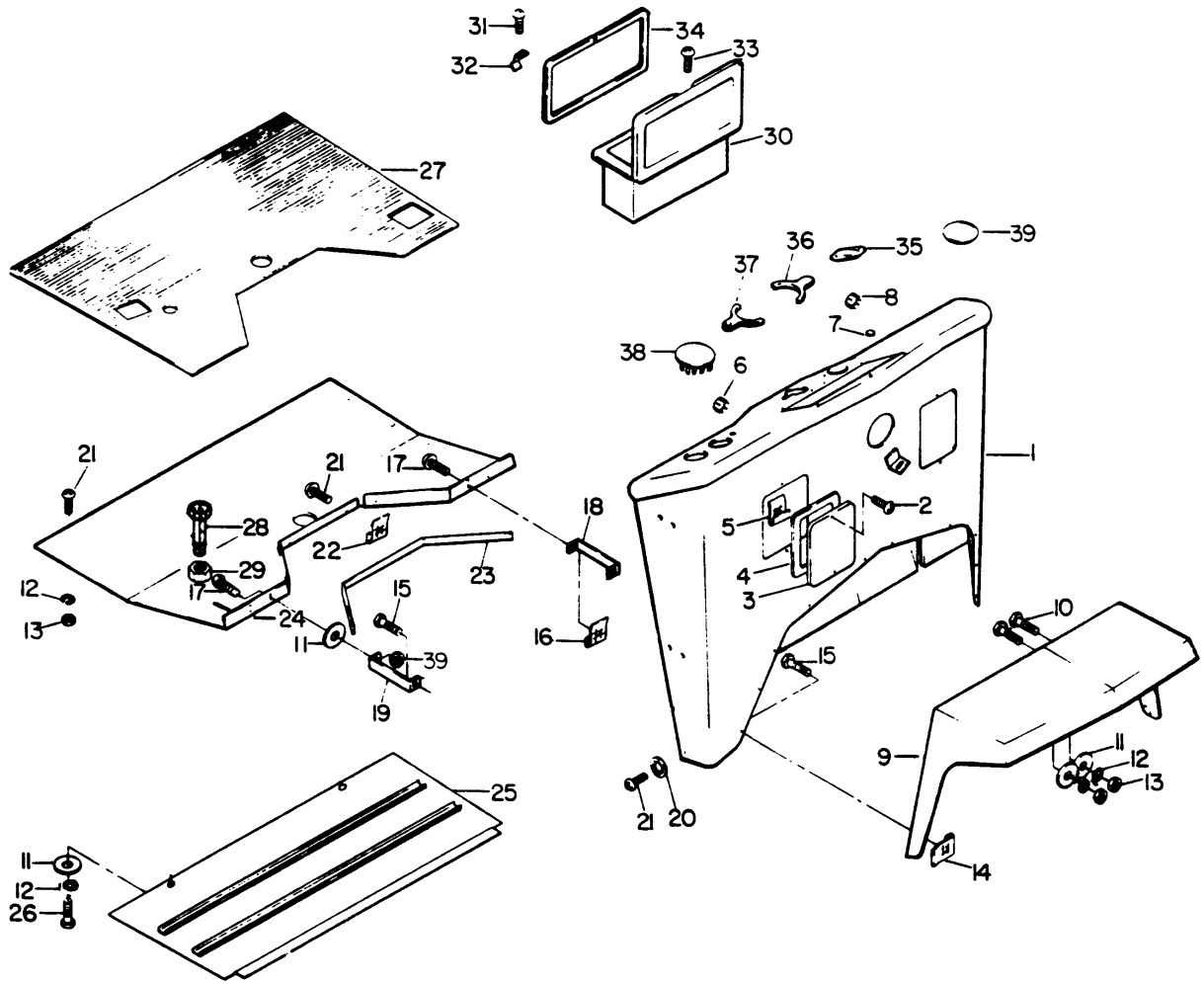
FRONT HUB AND BRAKE

FRONT HUB AND BRAKE

#	PART #	DESCRIPTION	QTY	NOTE
	880196	AXLE AY,FRONT	1	
	816320	Wheel Bolt, 7/16-20 x 1-1/8"	4	
	880197	HUB AY,WELDED BLK	1	
1	878159	LINING & RIVET KIT (SUPERSEDE TO 887284	1	
2	800318	RIVET#3-3.5 PB CNTRSNK TBLR(KC	12	
3	878484	AXLE AY, FRONT	1	
4	805030	DRUM, BRAKE BLK	1	
5	806274	STUD, WHEEL .44-20 1.56 F YS G5	4	
6	876324	USE 0887284	2	
7	809252	RING, XT RET.625 ID.37T PS	1	
8	805441	SPRING,EXTENSION	1	
9	807343	WHEEL CYLINDER	1	
10	878483	SHIELD AY, BRAKE BLK	1	
11	806761	PIN, ADJUSTMENT	2	
12	806758	PIN, HEEL	1	
13	306494	LWSHR,.62.12 YS SPRNG (KEG KC	3	
14	813717	LOCKWASHER (PLATED)	2	
15	306396	Lockwasher, 1/4	2	
16	306419	Screw, 1/4-20 x 1/2 in. Hex Head	2	
17	306353	LWSHR,.38.07 YS SPRING (KC)	2	
18	306319	Nut, 3/8-24 Hex	2	
19	809156	Spacer	1	
20	130084	NUT,.62-18 YS HEX (KEG KC)	1	
21	304104	NUT,.62-18 YS HX JAM (KC)	2	
22	807630	SEAL,OIL	2	
23	809229	Flat Washer, M18	2	
24	808089	BRG CONE (LM11949)	2	
25	876409	HUB AY, FRONT BLK	1	
26	808088	Outer Bearing Cup	2	
27	809268	Ring, Bearing Backing	2	
28	805860	Nut, 7/16-20 Wheel Retaining	4	
29	805823	NUT,BEARING ADJUST	1	
30	805814		1	
31	809156	Spacer	1	

FRONT HUB AND BRAKE

FRONT PANEL AND FLOORBOARD



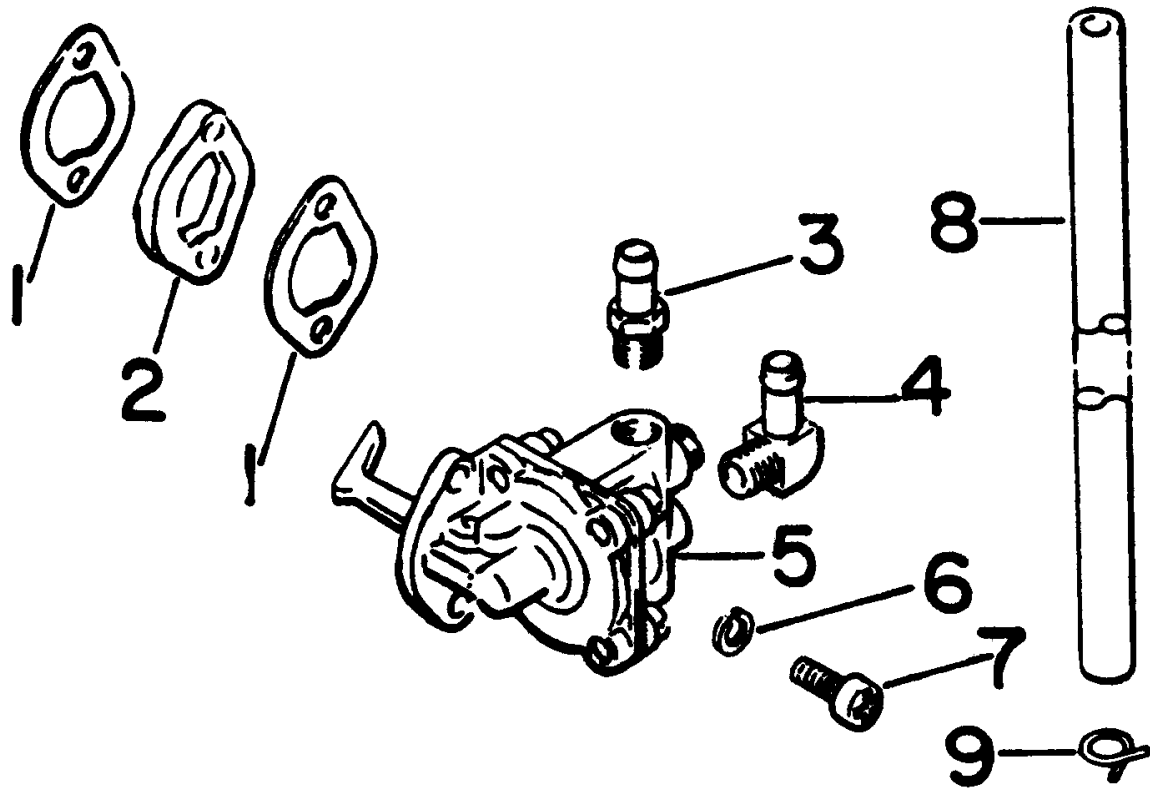
FRONT PANEL AND FLOORBOARD

FRONT PANEL AND FLOORBOARD

#	PART #	DESCRIPTION	QTY	NOTE
1	880545	PANEL AY, FRONT	1	
1	880573	Front panel	1	
2	800144	TSCRW,#10-16.62 YS PR (KC)	4	
3	816611	PANEL	2	
4	816610	GASKET	2	
5	800170	NUT,#10-24 BS SPEED "J" (KC)	4	
6	805888	PLUG	2	
7	811650	PLUG,METAL BUTTON .53 HOLE .05/.06 PNL	1	
8	811733	PLUG	2	
9	878565		1	
10	306409	SCRW,.25-20.875 YS HX G5 (KC)	2	
11	308090	Flat Washer, 1/4	4	
12	306396	Lockwasher, 1/4	10	
13	306375	Nut, 1/4-20 Hex	8	
14	800172	NUT,#10A BS SPEED "J"	8	
15	812970	SCREW	8	
16	800238	NUT,.25-20 PS SPEED "U" (KC)	2	
17	800017	Screw, 1/4-20 x 1" Pan Head	2	
18	812664		1	
19	812665		1	
20	306992	LWSHR,.25 ZS SHKPRF INT	6	
21	800019	SCREW,.25-20.50 YS PR G5	12	
22	800196	NUT,.25-20 PS SPEED "J" (KC)	6	
23	817312	Strip, weather	1	
24	880681		1	
25	880336		1	
26	306419	Screw, 1/4-20 x 1/2 in. Hex Head	2	
27	817109	FLOORBOARD MAT	1	
28	806375	SCRW,.38-16 2.50 ZS HX	1	
29	306932	Nut, 5/16-18 Hex	1	
30	878566	BOX AY	1	
31	130255	SCRW,#10-24.3125 YS RS (KC)	1	
32	812415	CATCH, SPRING	1	
33	307193		4	
34	812416	Weatherstrip, 1/4 x 3/8 x 26	1	
35	805892	PLUG,HOLE BLK	1	
36	816271		1	
37	816270	PLUG	1	
38	815995	Hole plug	2	
39	824438	PLUG,HOLE	1	

FRONT PANEL AND FLOORBOARD

FUEL PUMP



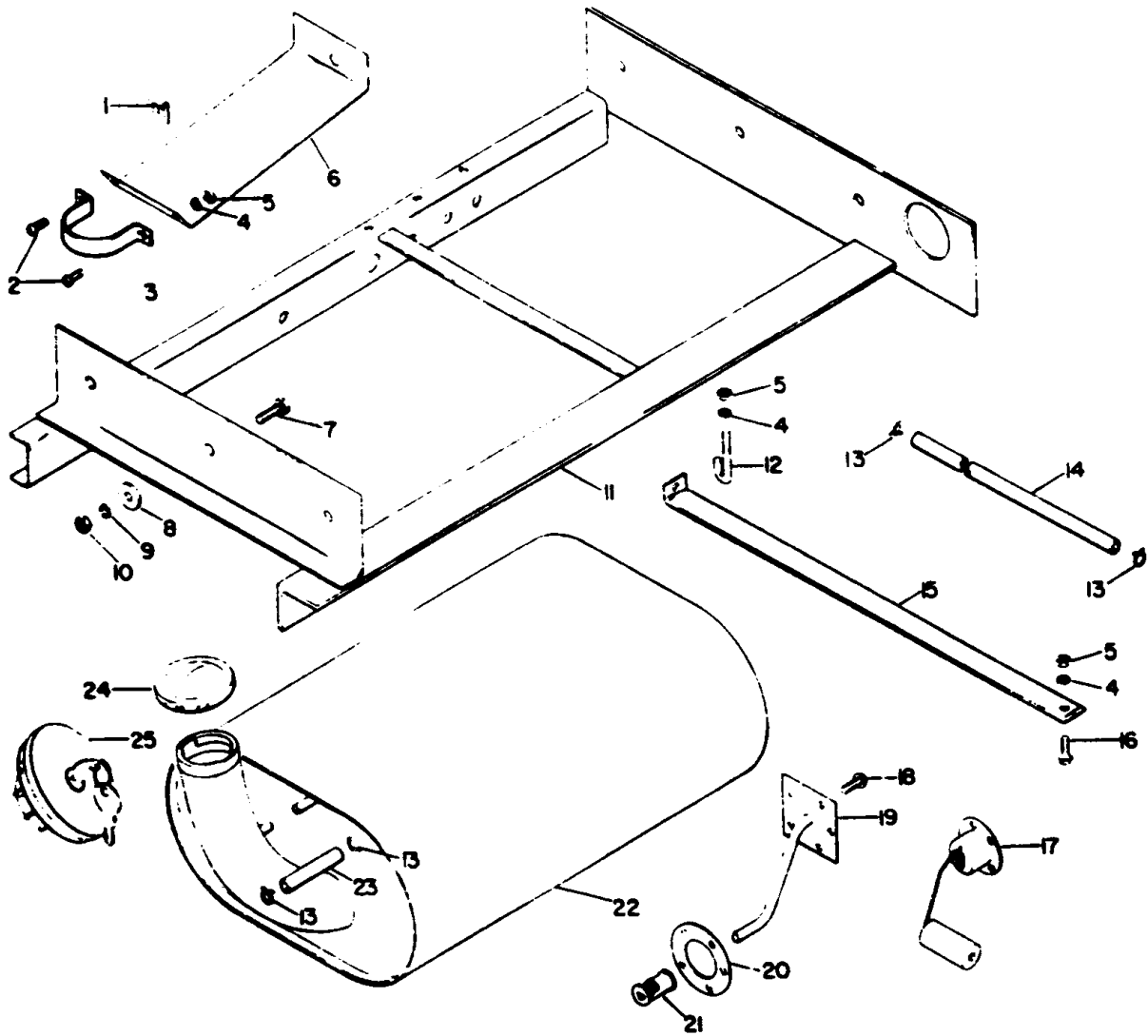
FUEL PUMP

FUEL PUMP

#	PART #	DESCRIPTION	QTY	NOTE
1	111779	GASKET	2	
2	111890	BLOCK, INSULATOR	1	
3	303492	NIPPLE	1	
4	113853		1	
5	111368	FUEL PUMP	1	
6	306396	Lockwasher, 1/4	2	
7	800229	SCRW, .25-20 1.00 YS AR	2	
8	307406		1	
9	552199	SUPPORT	2	

FUEL PUMP

FUEL TANK



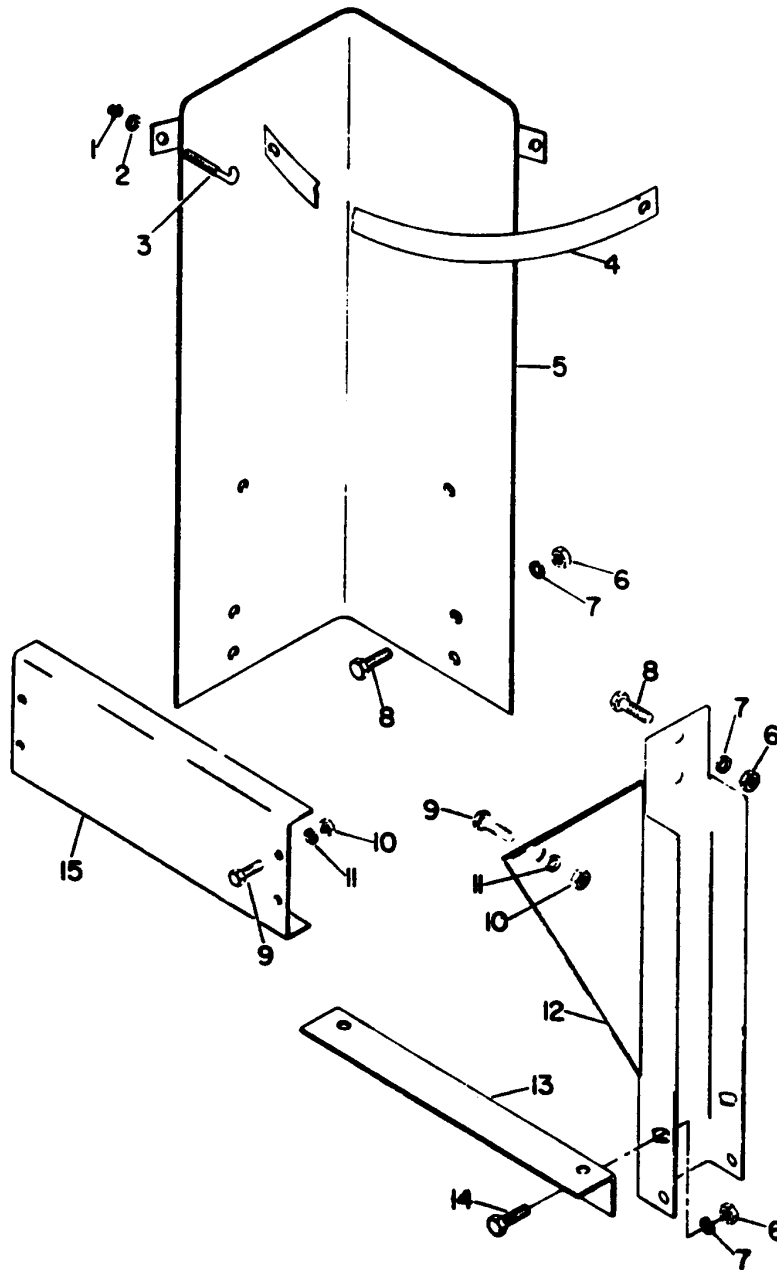
FUEL TANK

FUEL TANK

#	PART #	DESCRIPTION	QTY	NOTE
	820313	HOUSING,BRG	1	
	816731	BAND,RETAINING BLK	2	
	306487	SCREW, 1/4 - 20 X 5/8 YS HX G5	2	
	881564		1	
	882178		1	
	815841		1	
	816737	Hose, fuel, 83" long (for models	1	
1	800169	Nut, 1/4-20 Speed Nut	2	
2	800019	SCREW,.25-20.50 YS PR G5	2	
3	815822		1	
4	306395	Lockwasher, 1/4	4	
5	306375	Nut, 1/4-20 Hex	4	
6	820967		1	
7	306450	Screw, 5/16-18 x 3/4 in. Hex Head	6	
8	103867	Flat Washer, 5/16	6	
9	306325	Lockwasher, 5/16	6	
10	306932	Nut, 5/16-18 Hex	6	
11	882122	Frame, fuel tank carrier (Models	1	
12	809949	BOLT,J .25-20 2.25 YS	2	
13	817729		4	
14	816892	Hose, fuel, 67" long for all mod	1	
15	815415		2	
16	306409	SCRW,.25-20.875 YS HX G5 (KC)	2	
17	814402		1	
18	800306	SCREW, #10-24x= HEX WASHER HEAD (KC)	10	
19	880440	GAS OUTLET TUBE AY	1	
20	814409	GASKET	2	
21	816470	Screen	1	
22	880651		1	
23	815819	Vent hose	1	
24	819494	CAP,FUEL TANK	1	
25	807407	Cap, locking, w/keys	1	

FUEL TANK

GAS WELDER MOUNTING SET



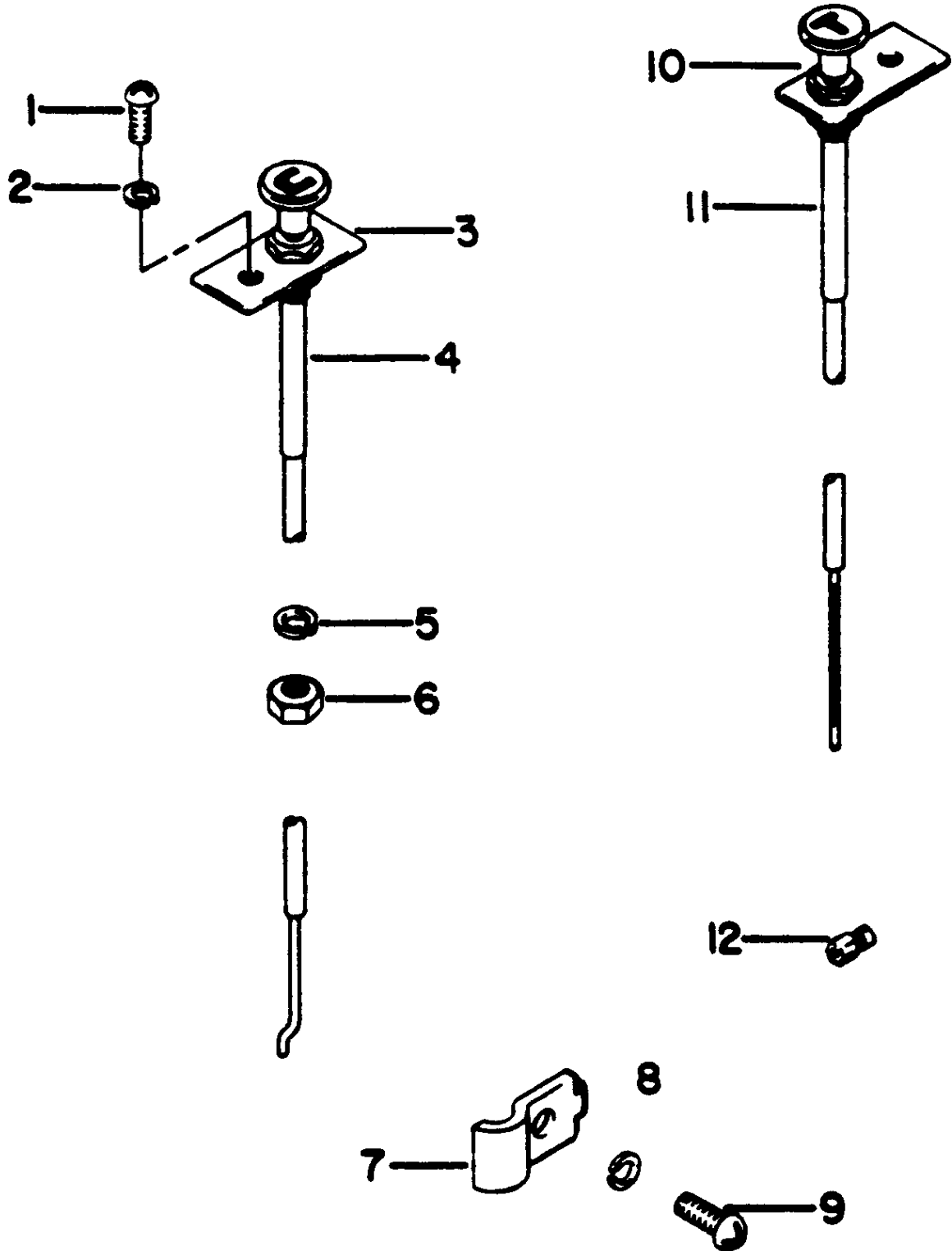
GAS WELDER MOUNTING SET

GAS WELDER MOUNTING SET

#	PART #	DESCRIPTION	QTY	NOTE
	880621	Gas Welder Set	1	
	880828	Support, right	1	
1	306375	Nut, 1/4-20 Hex	8	
2	306396	Lockwasher, 1/4	8	
3	809949	BOLT,J .25-20 2.25 YS	8	
4	816927		4	
5	880618	Holder bottle	2	
6	306562	Nut, 3/8-16 Hex	12	
7	120177	Lockwasher, 3/8	12	
8	306414	Screw, 3/8-16 X 1" Hex Head	4	
9	306450	Screw, 5/16-18 x 3/4 in. Hex Head	10	
10	306932	Nut, 5/16-18 Hex	10	
11	306325	Lockwasher, 5/16	10	
12	880827	Support, left	1	
13	816924		2	
14	306834	Screw, 3/8-16 x 3/4 in. Hex Head	4	
15	817489		2	

GAS WELDER MOUNTING SET

HAND CONTROLS, CHOKE AND THROTTLE



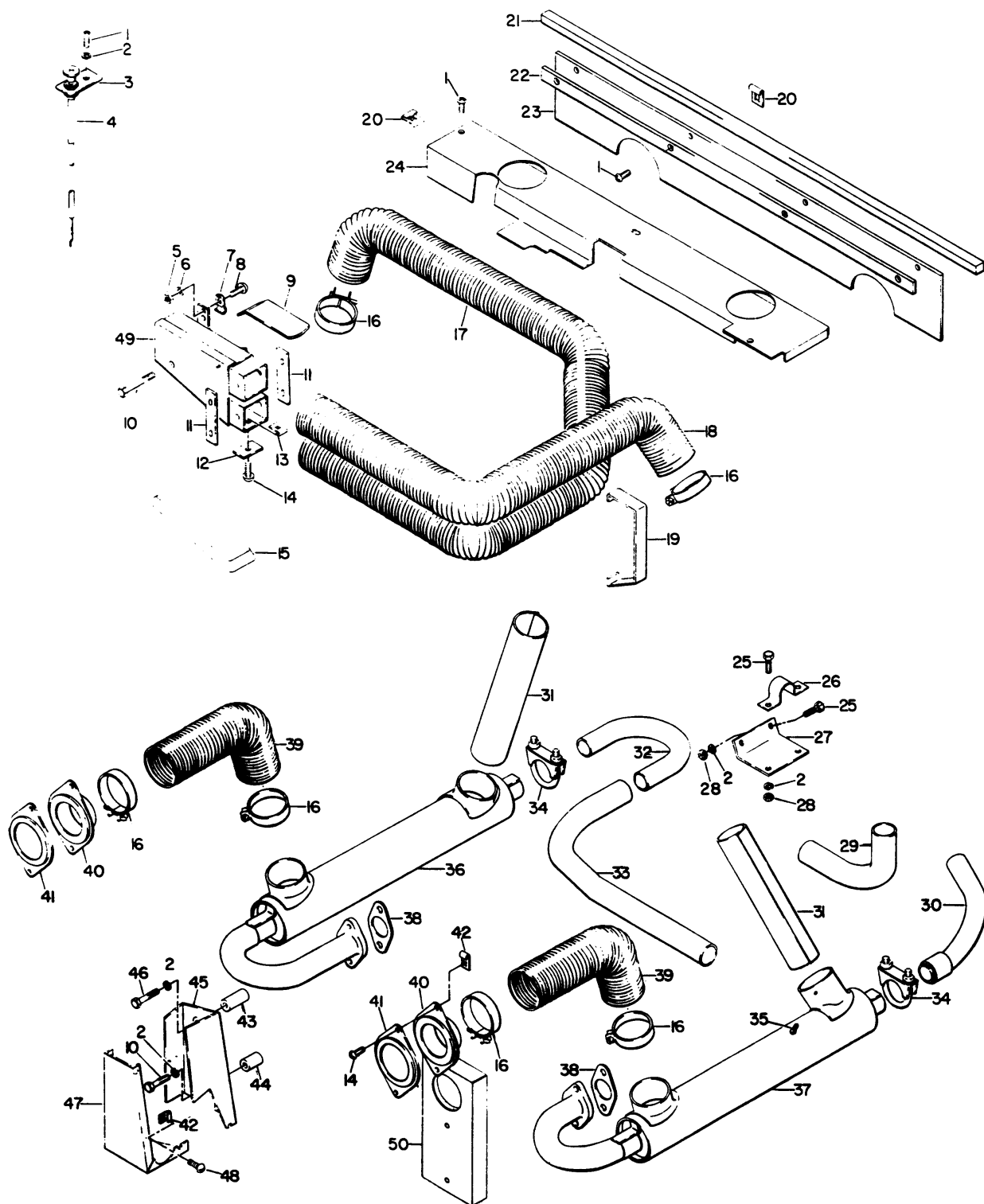
HAND CONTROLS, CHOKE AND THROTTLE

HAND CONTROLS, CHOKE AND THROTTLE

#	PART #	DESCRIPTION	QTY	NOTE
	880627		2	
	816625		1	
1	800019	SCREW, .25-20.50 YS PR G5	2	
2	306396	Lockwasher, 1/4	2	
3	880627		2	
4	814065	CABLE, CHOKE	1	
5	120177	Lockwasher, 3/8	2	
6	306388	Nut, 3/8-24 Hex Jam	2	
7	111898	Clamp, Cable	2	
8	120052	Lockwasher, #10	2	
9	300460	Screw, No. 10-24 x 3/8	2	
10	880817	PLATE AY	1	
11	817425	CABLE, HAND THROTTL	1	
12	817104	Stop, Wire	1	

HAND CONTROLS, CHOKE AND THROTTLE

HEATER



HEATER

HEATER

#	PART #	DESCRIPTION	QTY	NOTE
	883062	TUBE AY	1	
	883063	TUBE AY	1	
1	800019	SCREW, .25-20.50 YS PR G5	7	
2	306396	Lockwasher, 1/4	7	
3	880627		1	
4	818525	HEATER CABLE	1	
5	306531	Nut, #10-24 Hex	1	
6	120052	Lockwasher, #10	1	
7	111898	Clamp, Cable	1	
8	306514	Screw, #10-24 X 1/2 YS RS G5	1	
9	818504		1	
10	306832	Screw, 1/4-20 X 2 YS Hex G5	2	
11	818502		2	
12	818503	BRACKET, HOSE MOUNTING BOTTOM	1	
13	111928		6	
14	800381		10	
15	818520	CAULKING	1	
16	818500	CLAMP	6	
17	818506	HOSE, AIR OUTLET RIGHT	1	
18	818501		1	
19	818518	RETAINER	1	
20	800196	NUT, .25-20 PS SPEED "J" (KC)	6	
21	815100	Strip, sealing engine cover	1	
22	818519	Strip, engine cover seal	1	
23	818531		1	
24	818530		1	
25	302288	Screw, 1/4-20 x 1 in. Hex Head	4	
26	820141	Clamp, exhaust tube (1972 & Prio	1	
27	820142		1	
28	306375	Nut, 1/4-20 Hex	4	
29	813700	RIGHT EXHAUST TUBE HBK	1	
30	880742		1	
31	818505	TUBE, AIR	1	
32	818514	TUBE, RH EXHAUST	1	
33	818515		1	
34	818962	Clamp, Tubing	2	
35	800248	Screw, #6 Type A	2	
36	880739	HEAT EXCHANGER AY	1	
37	880737	HEAT EXCHANGER AY HBK	1	
38	111761	GASKET	2	
39	818499	HOSE, AIR	2	
40	880743	HEAT OUTLET ASSY	2	
41	818838		2	
42	800172	NUT, #10A BS SPEED "J"	6	
43	111345		1	
44	11134	Spacer, long	1	

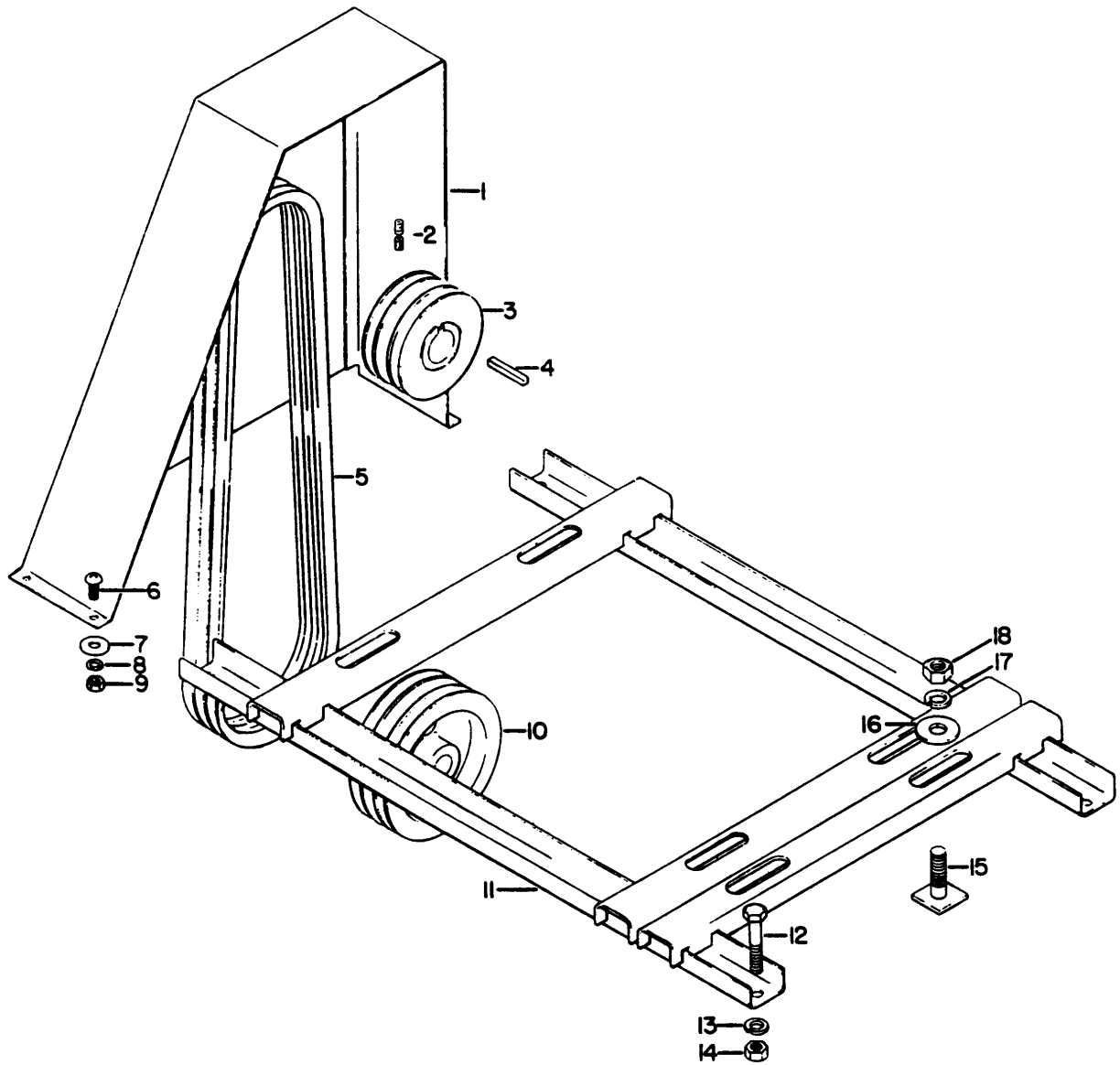
HEATER

HEATER

#	PART #	DESCRIPTION	QTY	NOTE
45	818523		1	
46	600014	Screw, 1/4-20 x 1-3/4" Hex Head	1	
47	818524	COVER	1	
48	111564	Screw, #10-/2 rd. hd., self-tapp	1	
49	880736		1	
50	883176		2	

HEATER

HOBART WELDER MOUNTING SET



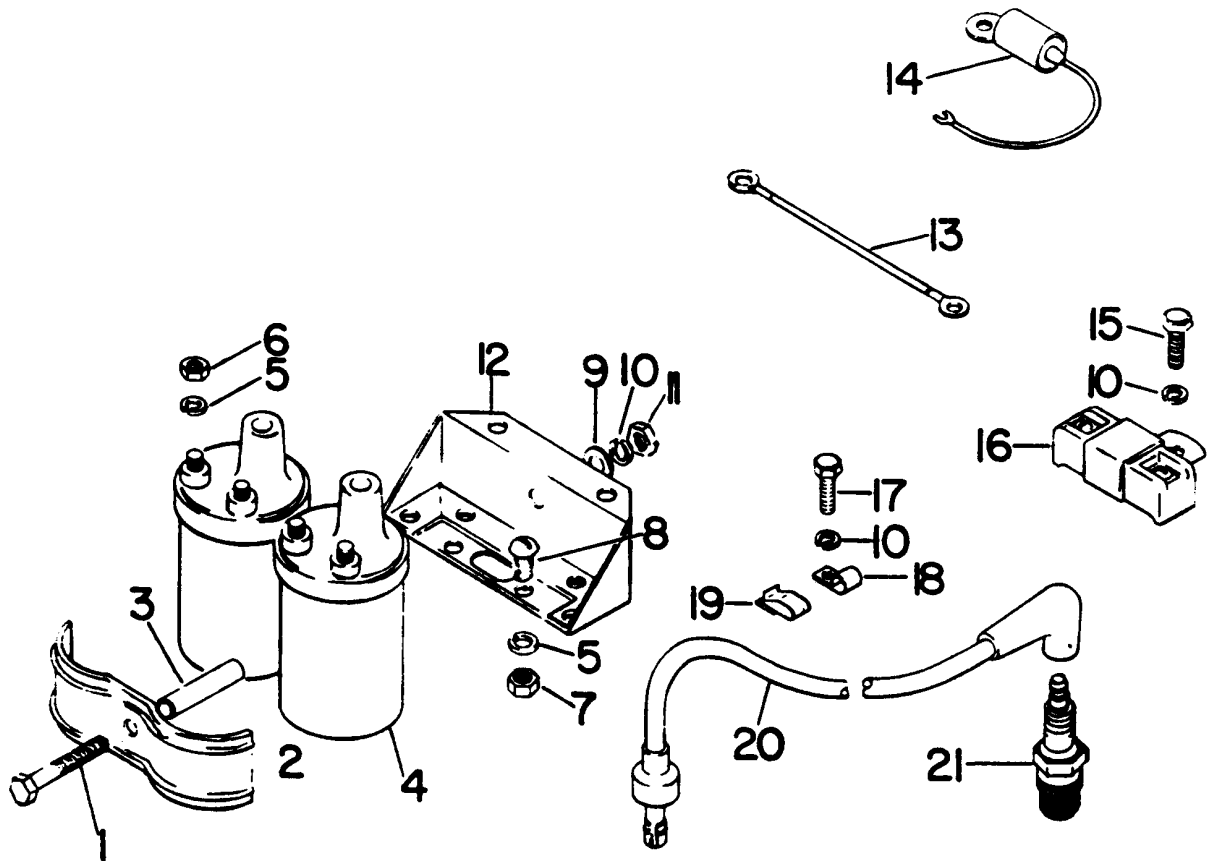
HOBART WELDER MOUNTING SET

HOBART WELDER MOUNTING SET

#	PART #	DESCRIPTION	QTY	NOTE
	880623	Mounting set	1	
1	880620	Shield	1	
2	800274	Set Screw, 1/4-20 x 5/16"	4	
3	816939	PULLEY,5.50 DIA BLK	1	
4	110930	. Key, 1/4 sq. x 1 3/4	1	
5	880624		1	
6	800026	Screw, 1/4-20 x 3/4" Pan Head	4	
7	308090	Flat Washer, 1/4	4	
8	306396	Lockwasher, 1/4	4	
9	306375	Nut, 1/4-20 Hex	4	
10	816934	Pulley, drive	1	
11	880619	NUT 3/8" -16 (NYLON INSERT)	1	
12	306539	SCRW,38-16.875 YS HX G5 (KC)	4	
13	120177	Lockwasher, 3/8	4	
14	306562	Nut, 3/8-16 Hex	4	
15	880597	Screw, welder to frame	4	
16	308091	Flat Washer, 1/2	4	
17	120166	Lockwasher, 1/2	4	
18	308332	NUT, HEX	4	

HOBART WELDER MOUNTING SET

IGNITION COMPONENTS



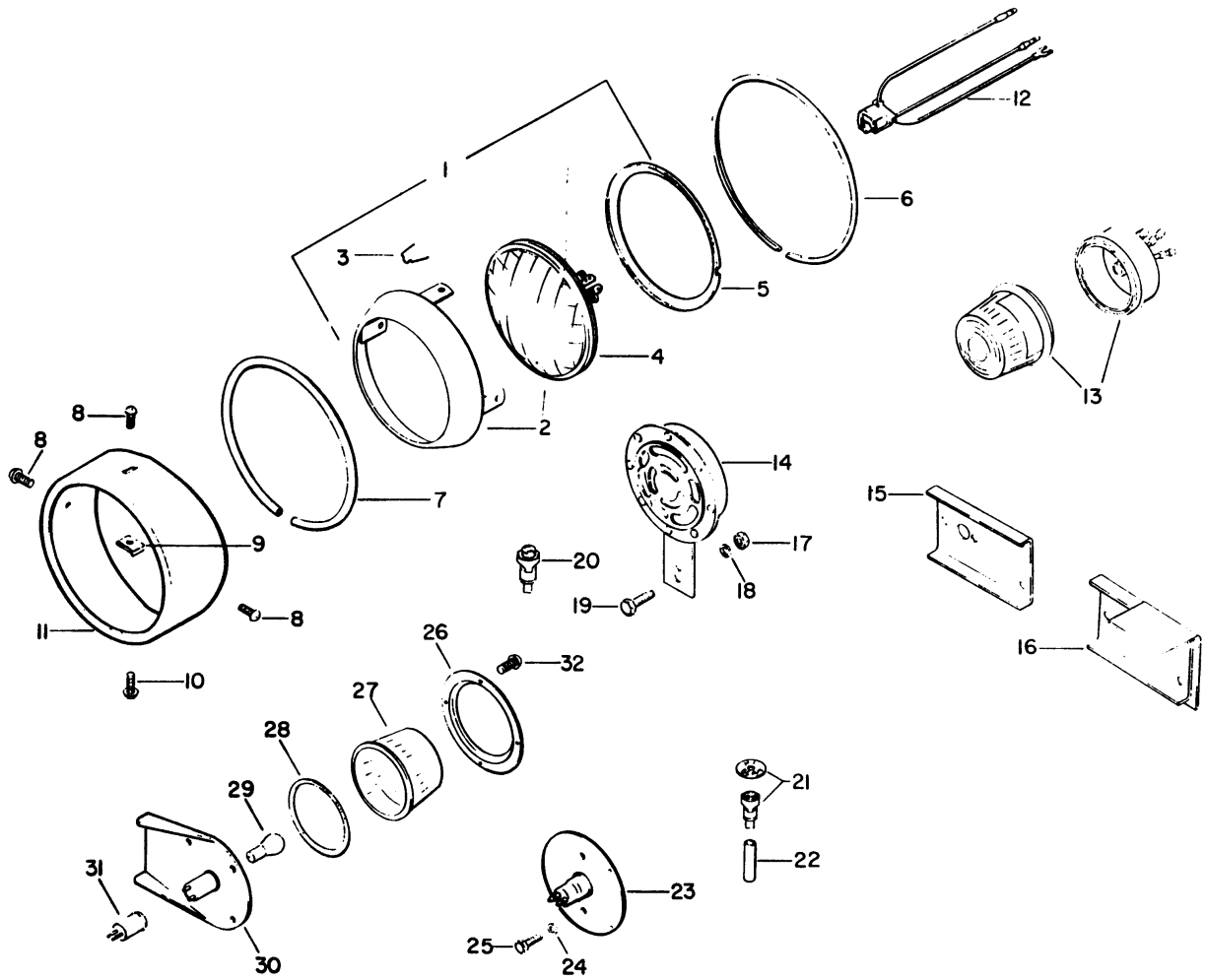
IGNITION COMPONENTS

IGNITION COMPONENTS

#	PART #	DESCRIPTION	QTY	NOTE
	113746	H T LEAD AY	1	
1	308480	SCRW, .25-20 2.50 YS HX G5	1	
2	112940	CLAMP	1	
3	113744		1	
4	383444	IGNITION COIL AY	2	
5	120052	Lockwasher, #10	6	
6	132520	Nut, #10-32 Hex	4	
7	306520	SCRW, 10-24 1.25 ZS RS	2	
8	306460	Screw, #10-24 x 3/8" Slotted Round	2	
9	308090	Flat Washer, 1/4	1	
10	306396	Lockwasher, 1/4	3	
11	306375	Nut, 1/4-20 Hex	1	
12	881848	HOLDER AY BLK	1	
13	112987		1	
14	510613	CONDENSER	1	
15	306487	SCREW, 1/4 - 20 X 5/8 YS HX G5	1	
16	580601	RESISTOR AY	1	
17	306419	Screw, 1/4-20 x 1/2 in. Hex Head	1	
18	111886	CLIP	1	
19	111887	CLIP	1	
20	113745	H T LEAD AY	1	
21	111960	SPARK PLUG	2	

IGNITION COMPONENTS

LIGHTS & HORN

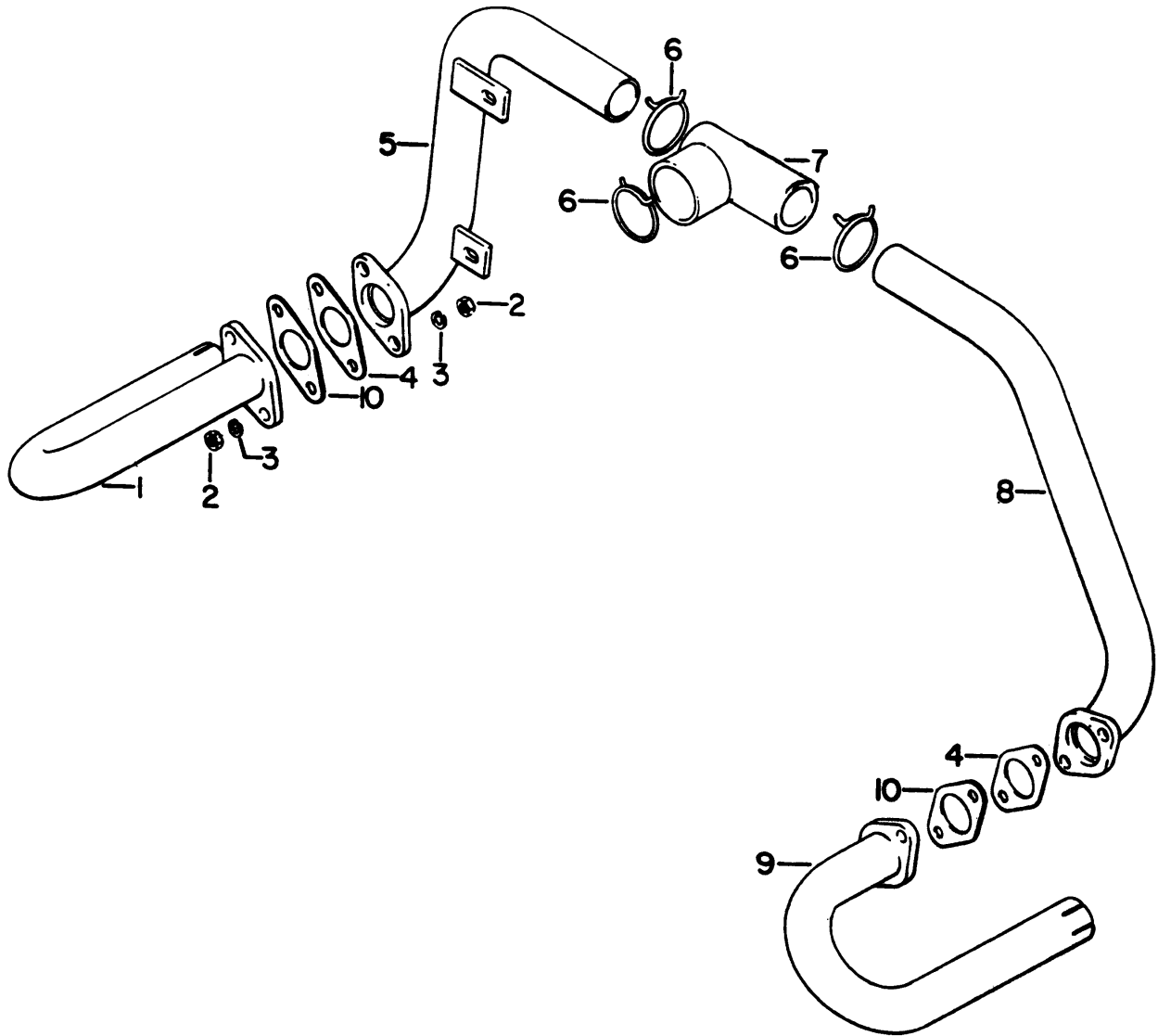


LIGHTS & HORN

#	PART #	DESCRIPTION	QTY	NOTE
	878542		1	
	821306	REFLECTOR, AMBER	1	
	821307	REFLECTOR	1	
	822880		2	
1	809724		1	
2	879071	Rim, headlight w/clips	1	
3	813373	CLIP	4	
4	809723	HEADLIGHT	1	
5	811812		1	
6	816610	GASKET	1	
7	806803	Gasket, headlight	1	
8	800271	Screw, #10-24 x 1/2" Pan Head	3	
9	800174	NUT,#10Z BS SPEED "J" (KC)	1	
10	800144	TSCRW,#10-16.62 YS PR (KC)	1	
11	878568		1	
12	812345	Socket, headlight	1	
13	882404		1	
14	817319	HORN (507)	1	
15	821719		1	
16	882394	Bracket tail light mounting	1	
17	306375	Nut, 1/4-20 Hex	2	
18	306396	Lockwasher, 1/4	2	
19	300646	Screw, 1/4-20 x 3/4" Hex Head	2	
20	817324	WARNING LIGHT	1	
21	881295		1	
22	818829	Insulator	1	
23	876971		1	
24	120052	Lockwasher, #10	2	
25	306401	SCREW, MACHINE-ROUND HEAD SLOTTED	2	
26	809682	RETAINER	1	
27	806779	Lens, tail light	1	
28	806777		1	
29	809725	Bulb, tail light	1	
30	876963	Base plate, tail light, w/socket	1	
31	809703	Socket, tail light	1	
32	800009	TSCRW,#10-24.38 YS RS SEMS KC	4	

LIGHTS & HORN

MANIFOLDS



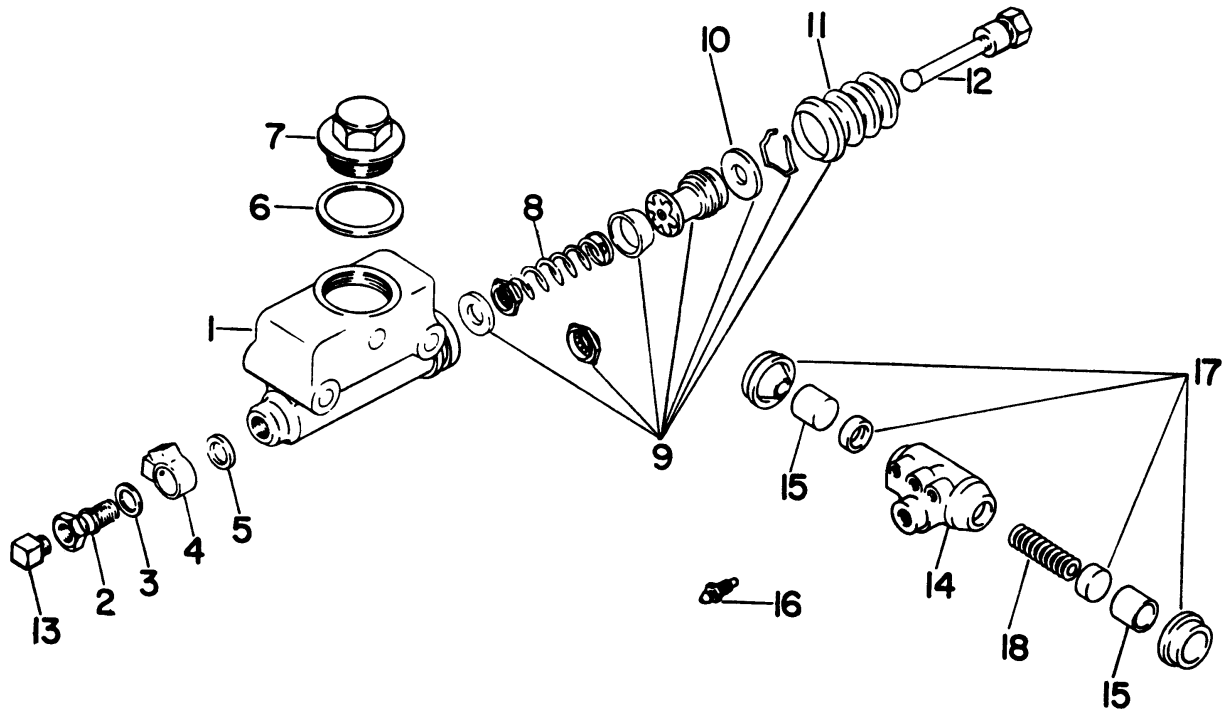
MANIFOLDS

MANIFOLDS

#	PART #	DESCRIPTION	QTY	NOTE
1	160396	EXHAUST AY, RH HBK	1	
2	306320	Nut, 5/16-24 Hex	8	
3	306325	Lockwasher, 5/16	8	
4	111760		2	
5	160835	INTAKE AY,RH	1	
6	308180	CLAMP	3	
7	111908	CONNECTOR	1	
8	160397	INTAKE AY, LH	1	
9	160395	EXHAUST AY, LH HBK	1	
10	111761	GASKET	2	

MANIFOLDS

MASTER CYLINDER AND WHEEL CYLINDER



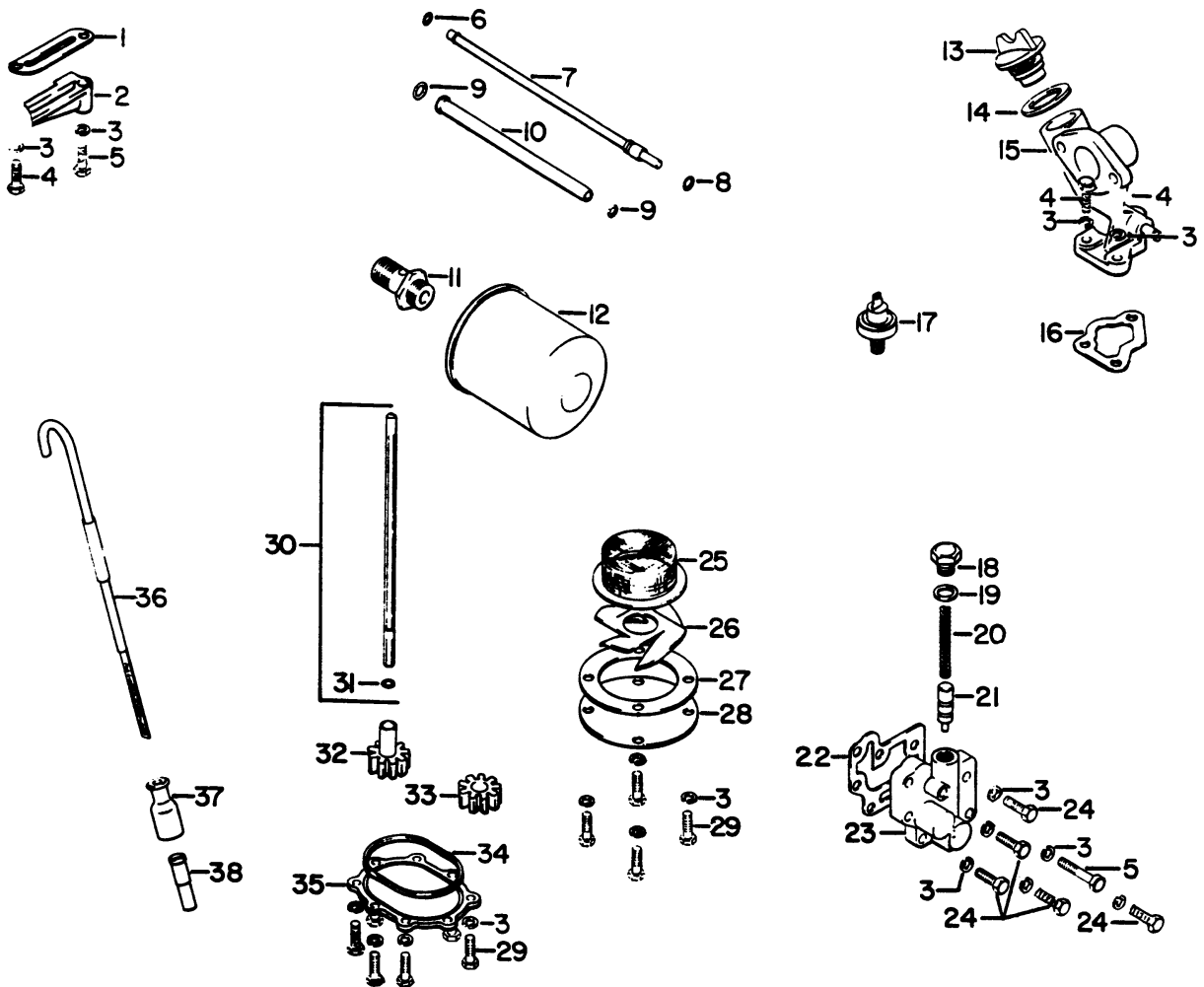
MASTER CYLINDER AND WHEEL CYLINDER

MASTER CYLINDER AND WHEEL CYLINDER

#	PART #	DESCRIPTION	QTY	NOTE
1	883468	MASTER CYLINDER	1	
2	810393	BOLT,MASTER CYLINDER	1	
3	810444	WASHER,.609.81.03 NC FLAT	1	
4	810448	USE 0888158	1	
5	810443	WASHER,.515.81.03 PC FLAT	1	
6	811929	GASKET	1	
7	883426		1	
8	811917	SPRING	1	
9	811774	KIT, MASTER CYLINDER REPAIR	1	
10	811919		1	
11	811928	BOOT, MASTER CYL	1	
12	811918	MAS CYL PUSH ROD	1	
13	800114	PLUG,.12-27NPT PS SQ HD	1	
14	807343	WHEEL CYLINDER	1	
15	811910	PISTON, WHEEL CYL	2	
16	811794	SCRW,BLEEDER.25-28 ZS	1	
17	811775	REPAIR KIT	1	
18	811911	SPRING,COMPRESSION	1	

MASTER CYLINDER AND WHEEL CYLINDER

OIL SUPPLY



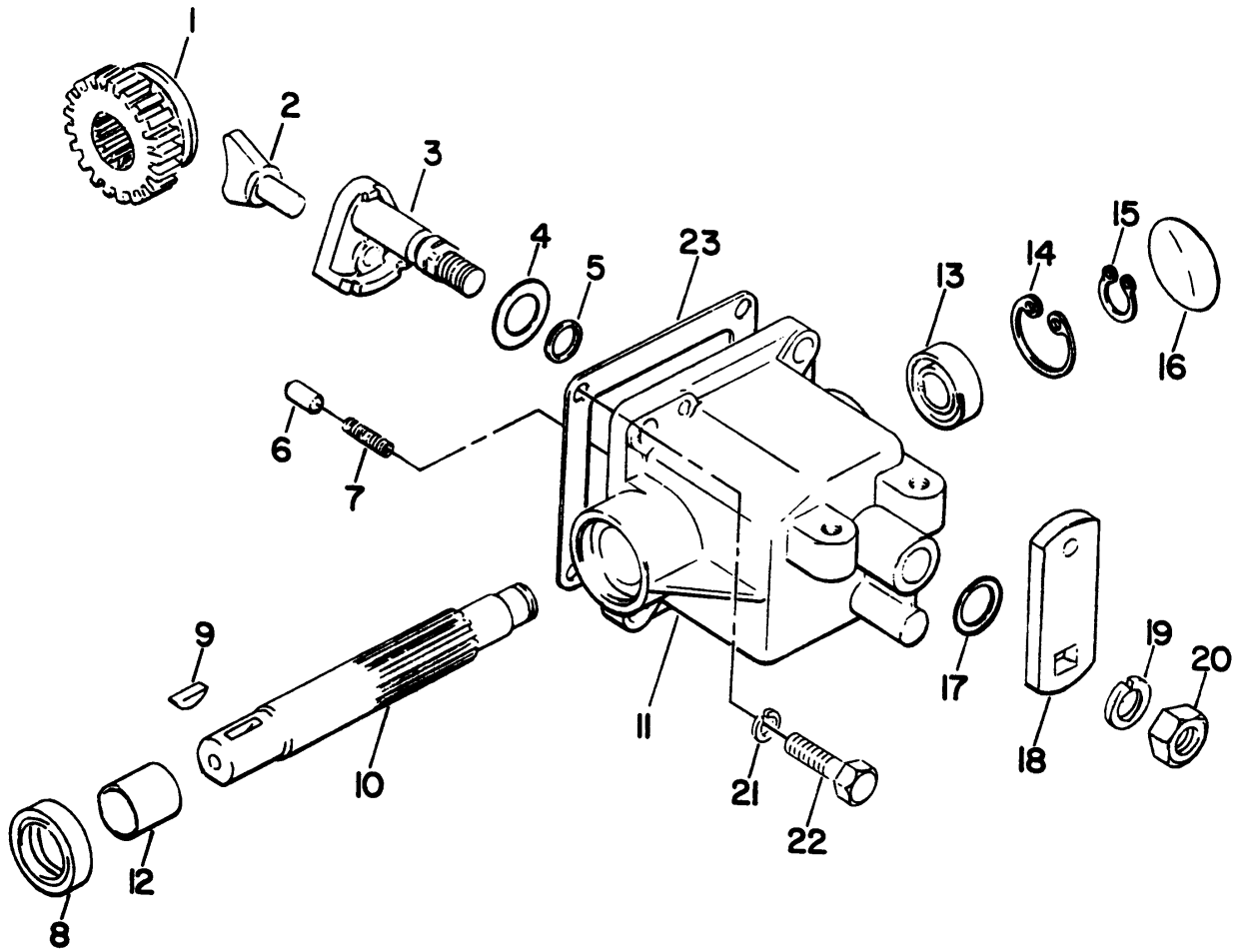
OIL SUPPLY

OIL SUPPLY

#	PART #	DESCRIPTION	QTY	NOTE
1	11745	Gasket, return block	2	
2	111746	BLOCK, OIL DRAIN	2	
3	306396	Lockwasher, 1/4	24	
4	302288	Screw, 1/4-20 x 1 in. Hex Head	4	
5	303459	SCRW.,25-20 1.5 YS HX G5 (KC)	3	
6	111764	O RING	2	
7	111810	TUBE AY,OIL SUPPLY	2	
8	111838	O-Ring	2	
9	111748	O RING	4	
10	111747	TUBE, OIL DRAIN	2	
11	111757	CONNECTOR	1	
12	111836	FILTER, OIL	1	
13	111858	CAP,OIL FILLER	1	
14	111784	GASKET	1	
15	111804	FILLER, OIL	1	
16	111773	GASKET	1	
17	111920	SWITCH	1	
18	111791	SCRW,SPCL.5-20.75 ZS HX	1	
19	111783	GASKET	1	
20	111827	SPRING,COMPRESSION	1	
21	111790	VALVE, RELIEF	1	
22	111792	GASKET	1	
23	111793	HOUSING	1	
24	306418	SCRW.,25-20 1.125 YS HX G5 KC	5	
25	111720	STRAINER, OIL	1	
26	111860	RETAINER	1	
27	111726	GASKET	1	
28	111721	COVER,OIL STRAINER	1	
29	306487	SCREW, 1/4 - 20 X 5/8 YS HX G5	12	
30	160380	HEX DRIVE SHAFT AY	1	
31	111777	RING,EXT RET.240DIA SHAFT	1	
32	160376	GEAR & SHAFT AY	1	
33	111753	GEAR, OIL PUMP	1	
34	111775	GASKET	1	
35	111719	COVER, OIL PUMP	1	
36	160782	DIPSTICK	1	
37	111885		1	
38	111349	TUBE	1	

OIL SUPPLY

P.T.O.



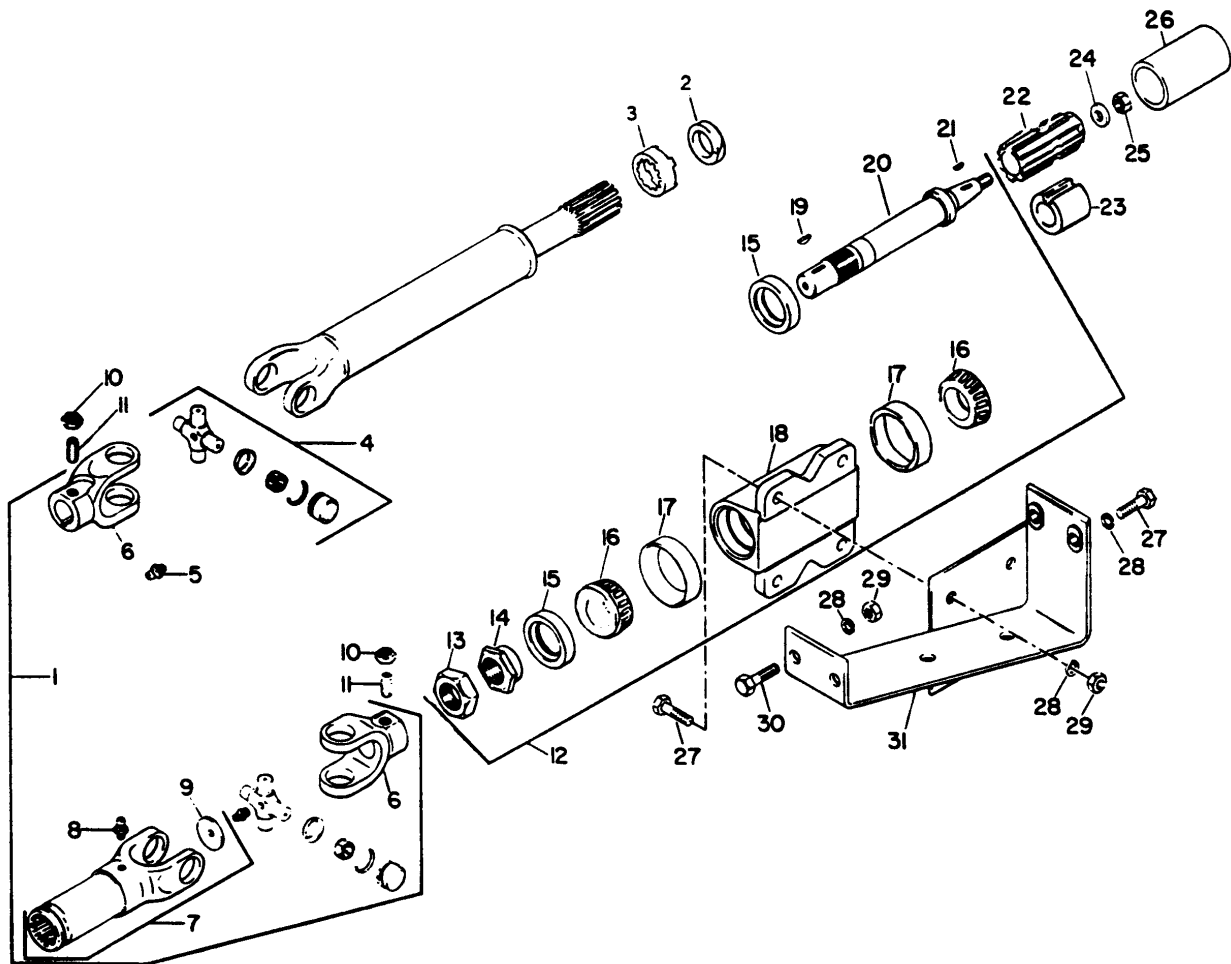
P.T.O.

P.T.O.

#	PART #	DESCRIPTION	QTY	NOTE
	880808	POWER TAKE-OFF AY	1	
1	815182	Gear, 21 Tooth PTO Sliding	1	
2	815085	Fork, Sliding	1	
3	879807	Arm, PTO Shifter	1	
4	812419	Shim, Transmission	1	
5	807624	O-Ring	1	
6	815013	Button	1	
7	815012	Spring	1	
8	815187	SEAL	1	
9	306367	KEY, WOODRUFF	1	
10	815184	SHAFT, TRANS PTO	1	
11	819808	Housing, w/pins and bushing	1	
12	815186	BEARING, SLEEVE	1	
13	808082		1	
14	809260	RING, RETNING INT 1.529 DIA(KC)	1	
15	809259	RING, BEARING RETAINING	1	
16	800257	PLUG, EXPANSION 1.56 YS (KC)	1	
17	805307	Washer, 5/8 x 1	1	
18	817397	Arm, PTO Shifter	1	
19	120106	. Lockwasher, 1/2	1	
20	301988	Nut, 1/2-20 Hex	1	
21	306325	Lockwasher, 5/16	4	
22	306435	Screw, 5/16-18 x 1-1/4 in. Hex Head	4	
23	815188	GASKET	1	

P.T.O.

P.T.O. DRIVE SHAFT



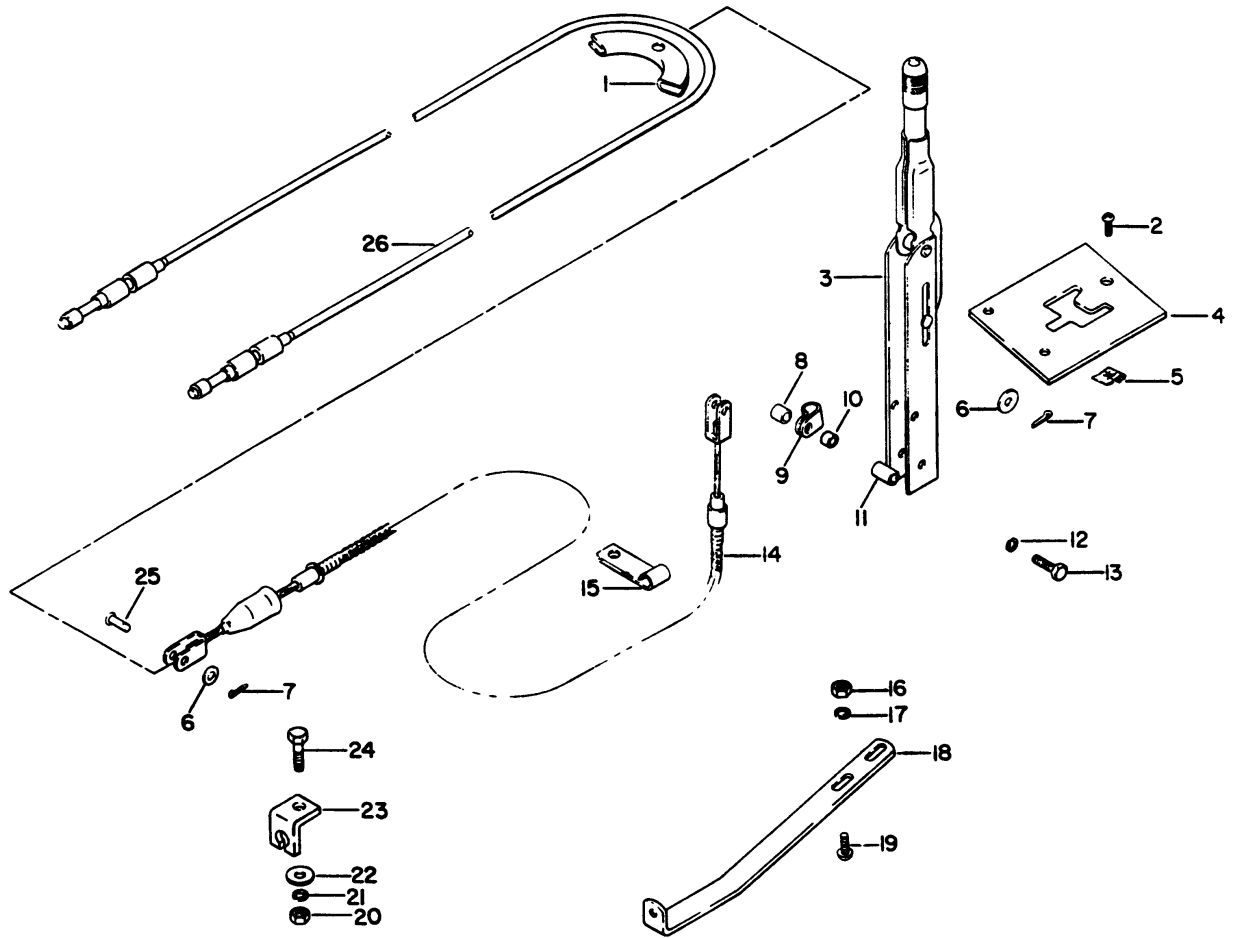
P.T.O. DRIVE SHAFT

P.T.O. DRIVE SHAFT

#	PART #	DESCRIPTION	QTY	NOTE
	816938		1	
1	815902		1	
2	817427	SEAL	1	
3	817336		1	
4	817335		2	
5	807443	Grease Fitting, 45°	2	
6	817447		2	
7	817448		1	
8	807439	Fitting, Lubrication, 1/4-28	1	
9	817337	PLUG	1	
10	304632	NUT, JAM	2	
11	800289	SSCRW, .38-16.75 BS NH C (KC)	2	
12	880616		1	
13	800268	NUT, 1-14 YS HX CNTRLOCK JAM	1	
14	815814	NUT	1	
15	815816	SEAL,OIL	2	
16	814473	CONE, TAPERED ROLLER BEARING 1.00 ID	2	
17	814474	Inner Bearing Cup	2	
18	815812		1	
19	805874	CSHAFT DRIVE KEY (KC)	1	
20	880158	SHAFT AY, PTO	1	
21	551041	KEY, WOODRUFF	1	
22	815802	SPLINE, PTO EXT. (PLATED)	1	
23	816931		1	
24	815818	WSHR, .39.81.13 PS FLAT	1	
25	800292	Nut, 3/8-16 Centerlock	1	
26	816961		1	
27	306835	Screw, 3/8-16 x 1-1/4 in. Hex Head	6	
28	124177	Lockwasher, 3/8	8	
29	306562	Nut, 3/8-16 Hex	6	
30	306539	SCRW, .38-16.875 YS HX G5 (KC)	2	
31	880228		1	

P.T.O. DRIVE SHAFT

PARKING BRAKE



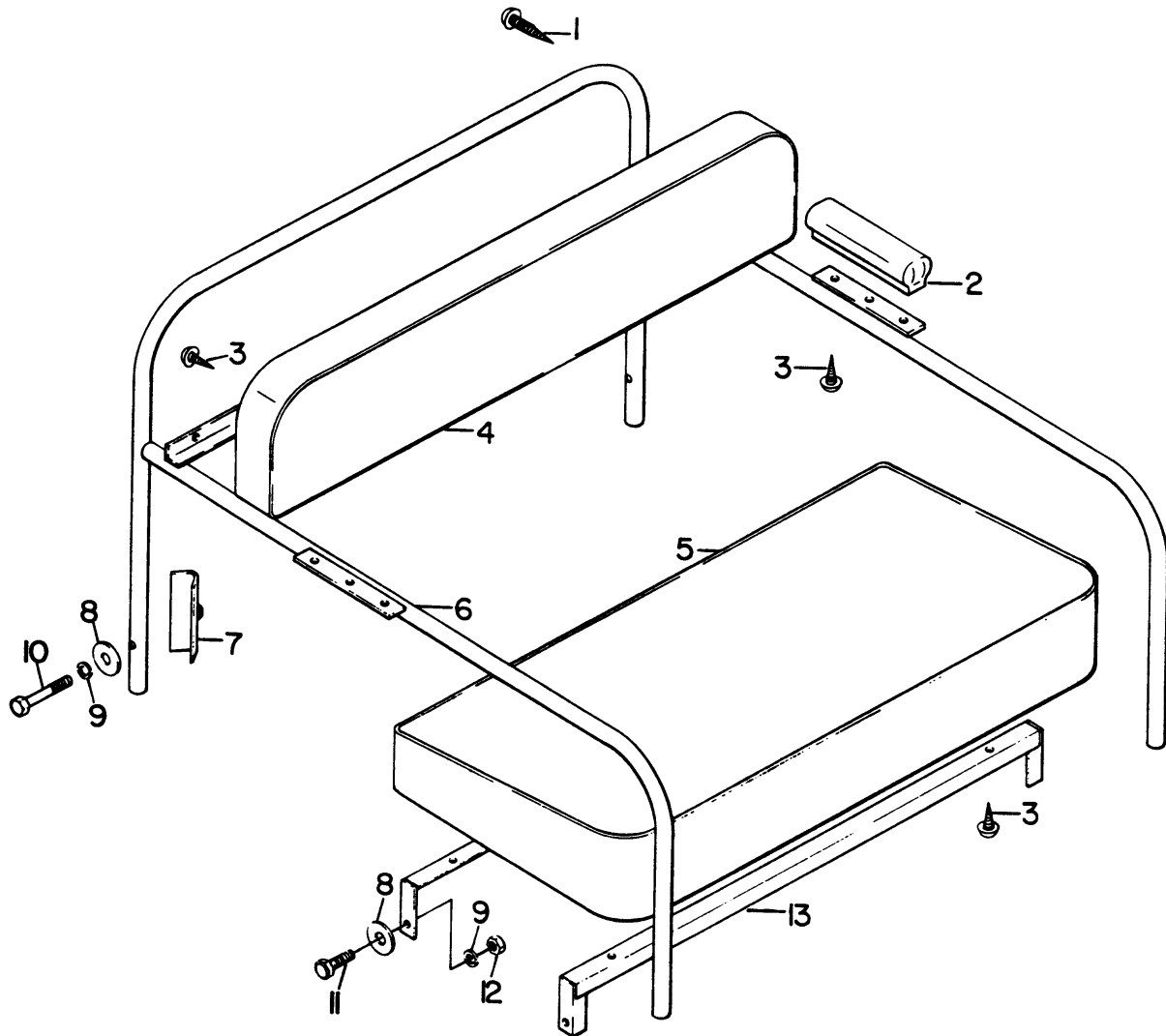
PARKING BRAKE

PARKING BRAKE

#	PART #	DESCRIPTION	QTY	NOTE
	820457	Cable (Full-Ton Flatbed)	1	
1	805864	YOKE,CABLE (PLATED)	1	
2	800019	SCREW, .25-20.50 YS PR G5	3	
3	807495	LEVER	1	
4	816614	Boot	1	
5	800173	Speed nut, 1/4-20	3	
6	103861	Washer, 5/16	2	
7	306328	Cotter Pin, 3/32 x 3/4"	2	
8	808975	BUSHING	1	
9	809121	CLAMP,TUBE/WIRE.43 ID STEEL	1	
10	816612	SPACER,PARKING BRAKE	1	
11	816613	PARKING BRK SPACER	1	
12	306325	Lockwasher, 5/16	2	
13	306424	SCREW, HEX HEAD CAP	2	
14	816616	PARKING BRK CABLE	1	
15	812888		1	
16	306375	Nut, 1/4-20 Hex	6	
17	306396	Lockwasher, 1/4	9	
18	814504	Support	1	
19	800026	Screw, 1/4-20 x 3/4" Pan Head	3	
20	306562	Nut, 3/8-16 Hex	1	
21	120177	Lockwasher, 3/8	1	
22	306981	Flat Washer, 3/8	1	
23	812426		1	
24	306414	Screw, 3/8-16 X 1" Hex Head	1	
25	806703	Clevis Pin, 5/16 x 31/32 in.	1	
26	812480	PARKING BRK CABLE	1	

PARKING BRAKE

PERSONNEL CARRIER SEAT (STANDARD PICKUP MODEL)



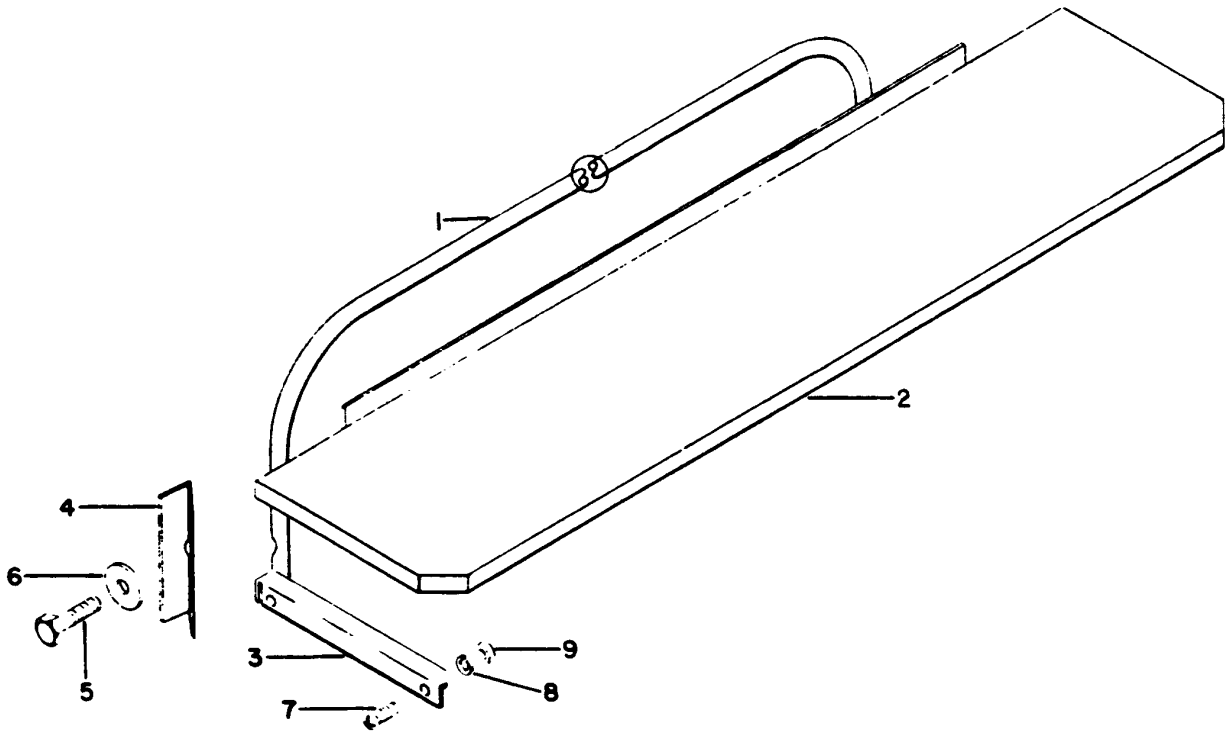
PERSONNEL CARRIER SEAT (STANDARD PICKUP MODEL)

PERSONNEL CARRIER SEAT (STANDARD PICKUP MODEL)

#	PART #	DESCRIPTION	QTY	NOTE
	878655	Personnel carrier set	1	
1	306925	Screw, #8 wood	2	
2	877329		2	
3	304488	Wood screw, #8 x 3/4 rd. hd.	20	
4	877233		1	
5	880731		1	
6	873656	Frame, backrest	1	
7	816650		4	
8	103867	Flat Washer, 5/16	8	
9	306325	Lockwasher, 5/16	8	
10	306423	Screw, 5/16-18 x 1-3/4 in. Hex Head	4	
11	306555	Screw, 5/16-18 x 5/8 in. Hex Head	4	
12	306932	Nut, 5/16-18 Hex	4	
13	875714		2	

 PERSONNEL CARRIER SEAT (STANDARD PICKUP MODEL)

PERSONNEL SEAT (WIDE BOX)



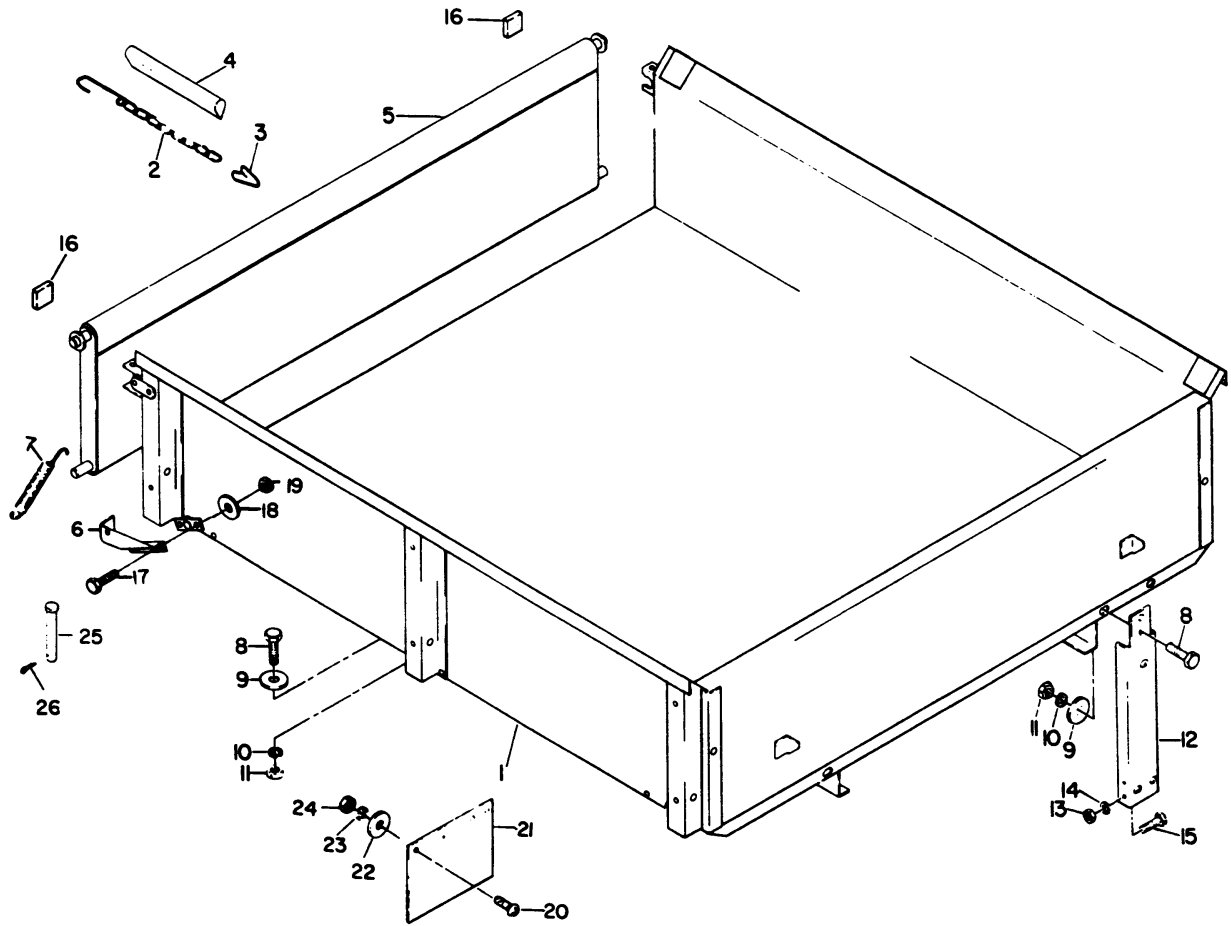
PERSONNEL SEAT (WIDE BOX)

PERSONNEL SEAT (WIDE BOX)

#	PART #	DESCRIPTION	QTY	NOTE
	820553	Support, right	1	
1	820555	Backrest	1	
2	881996	Seat board	1	
3	820554		1	
4	876650	Clamp	2	
5	306423	Screw, 5/16-18 x 1-3/4 in. Hex Head	2	
6	103867	Flat Washer, 5/16	2	
7	800019	SCREW, .25-20.50 YS PR G5	4	
8	306396	Lockwasher, 1/4	4	
9	306375	Nut, 1/4-20 Hex	4	

PERSONNEL SEAT (WIDE BOX)

PICKUP BOX AND DUMP BOX



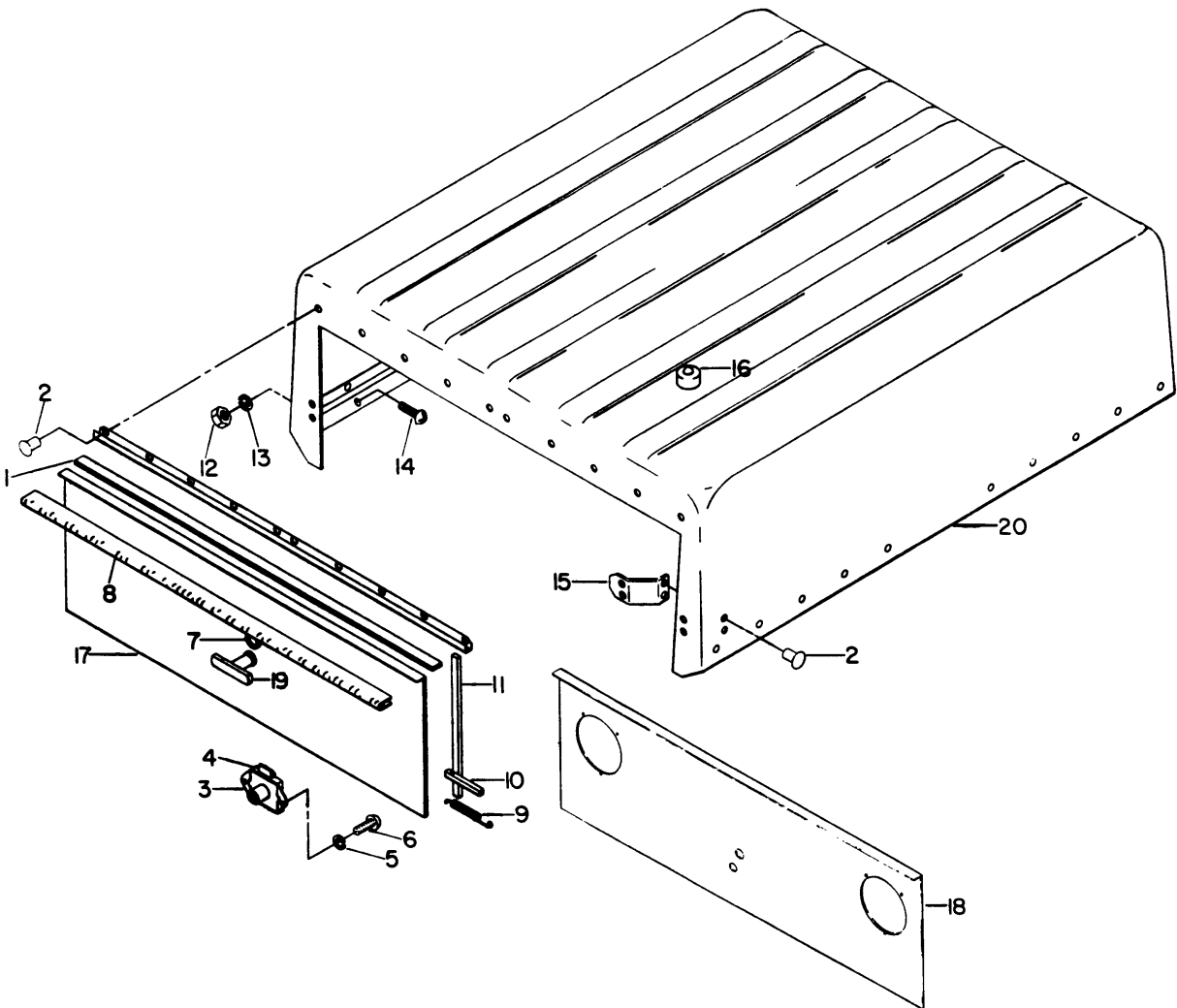
PICKUP BOX AND DUMP BOX

PICKUP BOX AND DUMP BOX

#	PART #	DESCRIPTION	QTY	NOTE
	823146	Bracket, lower pivot left	1	
1	881895		1	
2	820434	Chain, Tailgate	2	
3	808222	Link, Chain Connector	2	
4	809978	Cover, Chain	2	
5	881845	TAILGATE AY	1	
6	823145	Bracket, lower pivot right	1	
7	805447	SPRING,EXTENSION	2	
8	306414	Screw, 3/8-16 X 1" Hex Head	4	
9	306981	Flat Washer, 3/8	6	
10	120177	Lockwasher, 3/8	4	
11	306562	Nut, 3/8-16 Hex	4	
12	816736	MEMBER-FRONT SUPPORT	2	
13	306932	Nut, 5/16-18 Hex	4	
14	306325	Lockwasher, 5/16	4	
15	306416	Screw, 5/16-18 x 7/8 in. Hex Head	4	
16	821767		2	
17	306450	Screw, 5/16-18 x 3/4 in. Hex Head	4	
18	103867	Flat Washer, 5/16	4	
19	800290	NUT,.31-18 YS HX CENTERLOCK KEG KC	4	
20	300646	Screw, 1/4-20 x 3/4" Hex Head	4	
21	821986	Mud flap (pickup only)	2	
22	308090	Flat Washer, 1/4	4	
23	306396	Lockwasher, 1/4	4	
24	306375	Nut, 1/4-20 Hex	4	
25	821030		2	
26	821164	Hair Pin, 1/4 x 1-1/8 x 1/16"	2	

PICKUP BOX AND DUMP BOX

PICKUP BOX COVER



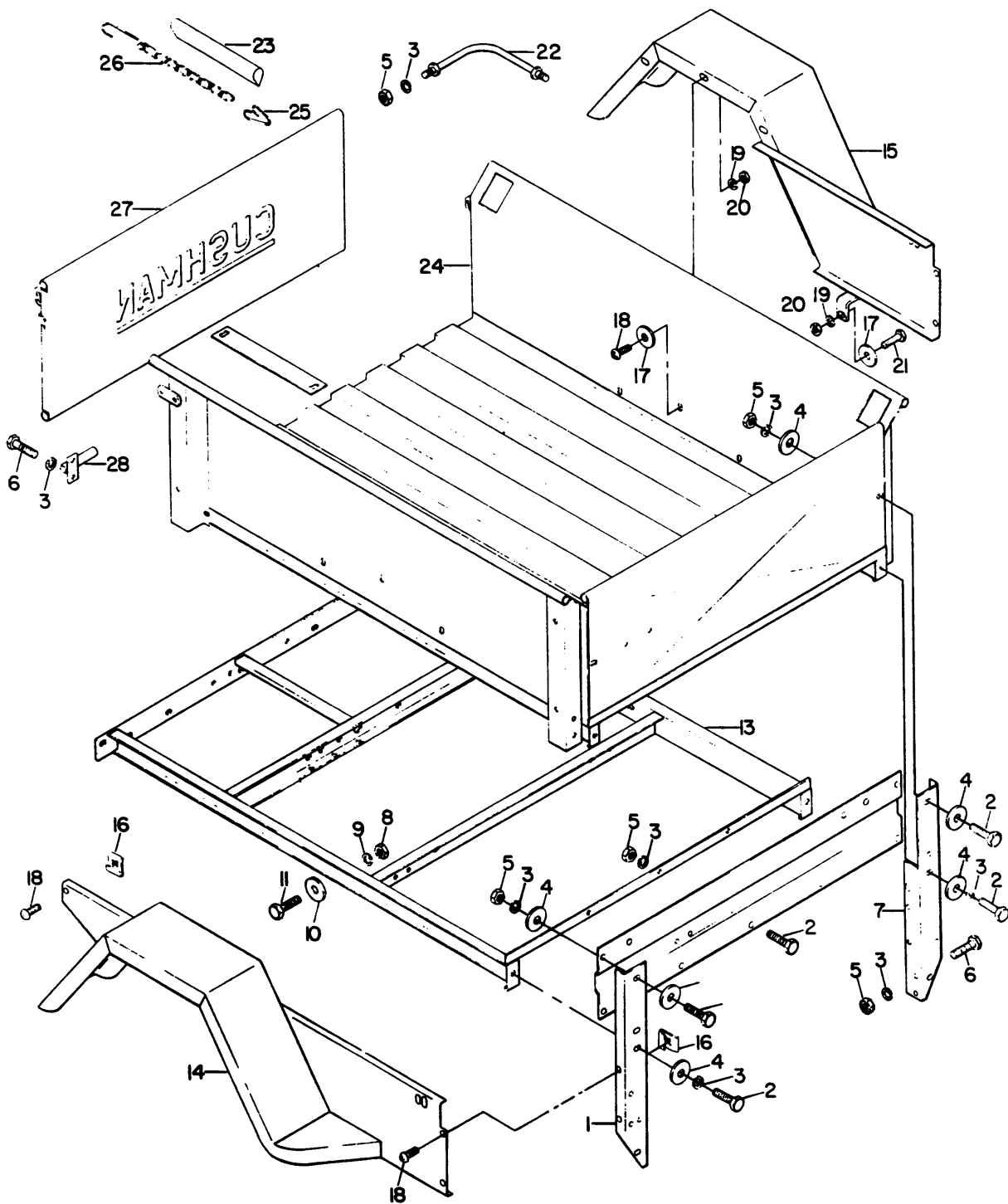
PICKUP BOX COVER

PICKUP BOX COVER

#	PART #	DESCRIPTION	QTY	NOTE
	878636	Pickup Box Cover Set	1	
1	812676	Weatherstrip, 1/4 x 3/8 x 36" sp	1	
2	800155		18	
3	878666	Lock	1	
4	809402		1	
5	120122	LOCKWASHER, #8.03 YS SPRING	2	
6	306309	SCRW,#8-32.375 YS RS (KC)	2	
7	810141		1	
8	877292	HINGE	1	
9	810381		2	
10	809399	Bolt, latch	2	
11	812679	Weatherstrip, 1/4 x 3/8 x 12" sp	2	
12	306531	Nut, #10-24 Hex	8	
13	120052	Lockwasher, #10	8	
14	800271	Screw, #10-24 x 1/2" Pan Head	8	
15	812670	Striker, door latch	2	
16	808974	CUSHION,RUBBER	2	
17	878710	Door assy., w/o mounting holes f	1	
18	880575	Door, box cover, with latch	1	
19	809379	Handle, lock	1	
20	878715	Cover assy., box	1	

PICKUP BOX COVER

PLATFORM



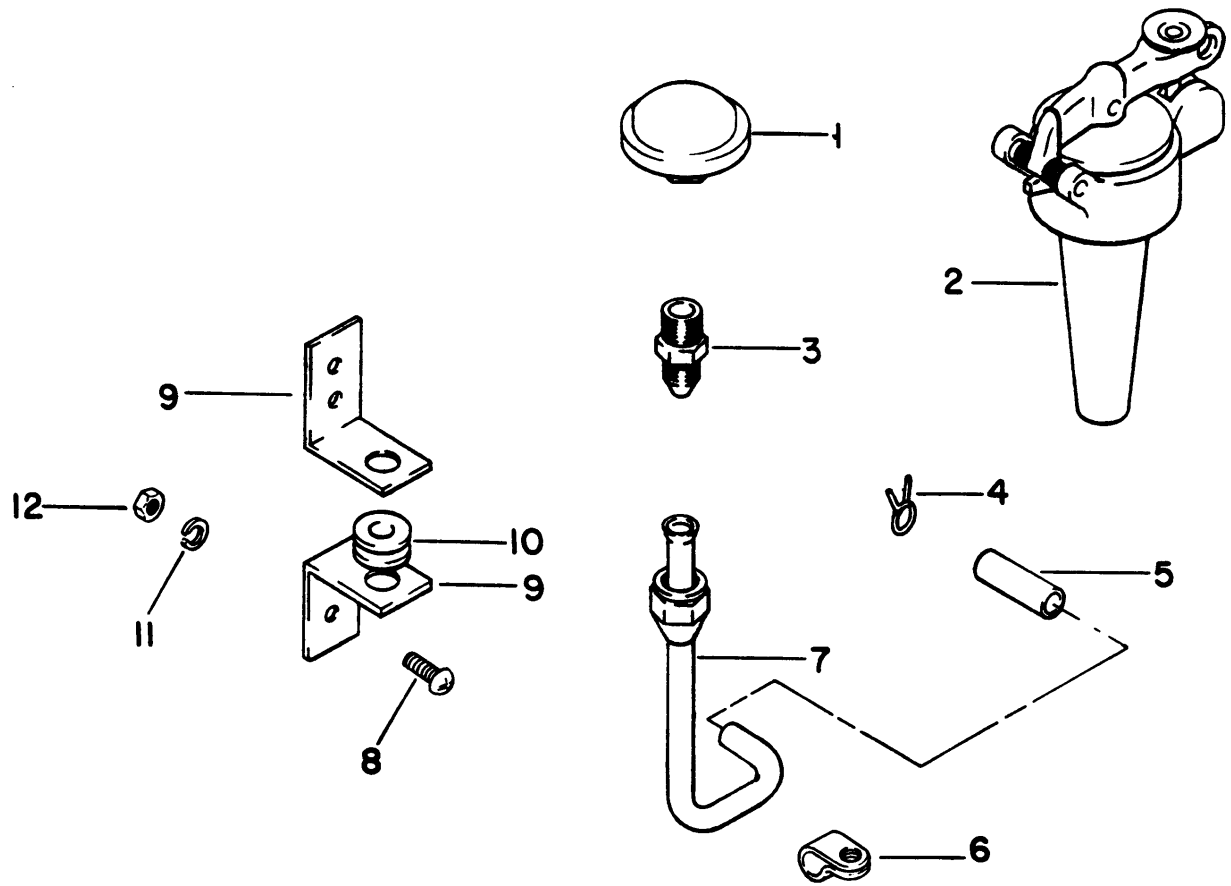
PLATFORM

PLATFORM

#	PART #	DESCRIPTION	QTY	NOTE
	877284		1	
1	815359		1	
2	306450	Screw, 5/16-18 x 3/4 in. Hex Head	6	
2	306450	Screw, 5/16-18 x 3/4 in. Hex Head	4	
3	306325	Lockwasher, 5/16	10	
3	306325	Lockwasher, 5/16	14	
4	103867	Flat Washer, 5/16	8	
4	103867	Flat Washer, 5/16	6	
5	306932	Nut, 5/16-18 Hex	8	
5	306932	Nut, 5/16-18 Hex	12	
6	306416	Screw, 5/16-18 x 7/8 in. Hex Head	4	
6	306416	Screw, 5/16-18 x 7/8 in. Hex Head	8	
7	815360		1	
8	306562	Nut, 3/8-16 Hex	4	
9	120177	Lockwasher, 3/8	4	
10	306981	Flat Washer, 3/8	4	
11	306414	Screw, 3/8-16 X 1" Hex Head	4	
12	812312		1	
13	879915		1	
14	879934	FENDER AY, RH	1	
15	880222		1	
16	800196	NUT, .25-20 PS SPEED "J" (KC)	7	
17	308090	Flat Washer, 1/4	8	
18	800026	Screw, 1/4-20 x 3/4" Pan Head	13	
19	306396	Lockwasher, 1/4	8	
20	306375	Nut, 1/4-20 Hex	8	
21	300646	Screw, 1/4-20 x 3/4" Hex Head	2	
22	815813	BRACE	1	
23	809978	Cover, Chain	2	
24	880352		1	
25	808222	Link, Chain Connector	2	
26	808221		2	
27	876848		1	
28	877283		1	

PLATFORM

PROTECTOSEAL GAS CAP

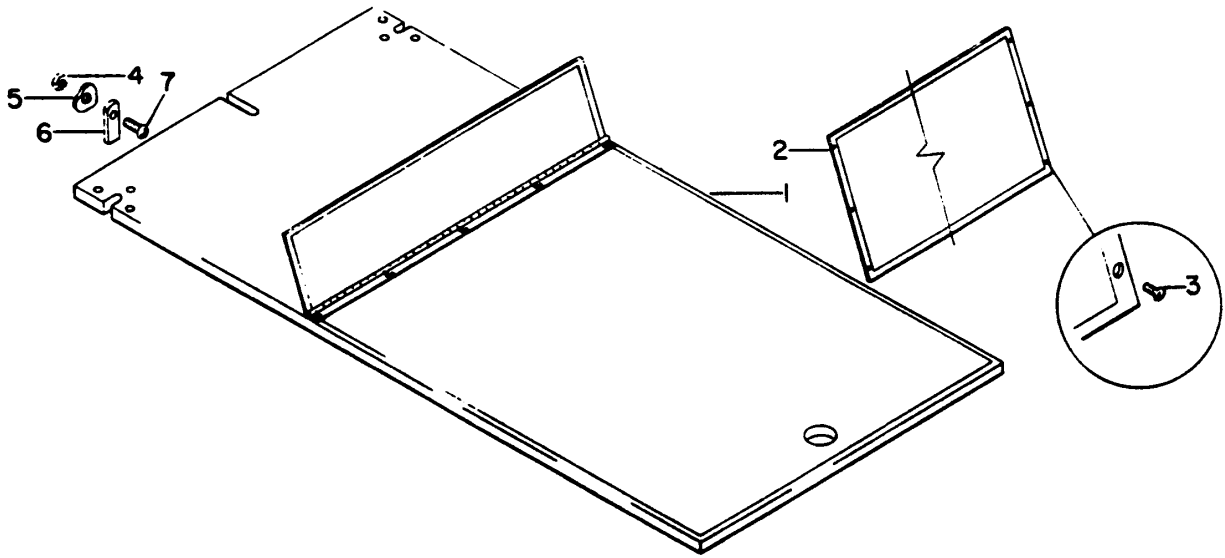


PROTECTOSEAL GAS CAP

#	PART #	DESCRIPTION	QTY	NOTE
1	816881	Arrester, vent	1	
2	816631	PROTECTOSEAL CAP	1	
3	816880	Union Tube to vent	1	
4	817729		2	
5	816882	Hoes, tank to vent	1	
6	815058	Clamp	1	
7	816879	Tube, vent	1	
8	800019	SCREW, .25-20.50 YS PR G5	4	
9	816878	Bracket, vent	2	
10	809192		2	
11	306396	Lockwasher, 1/4	4	
12	306375	Nut, 1/4-20 Hex	4	

PROTECTOSEAL GAS CAP

RAMP SET



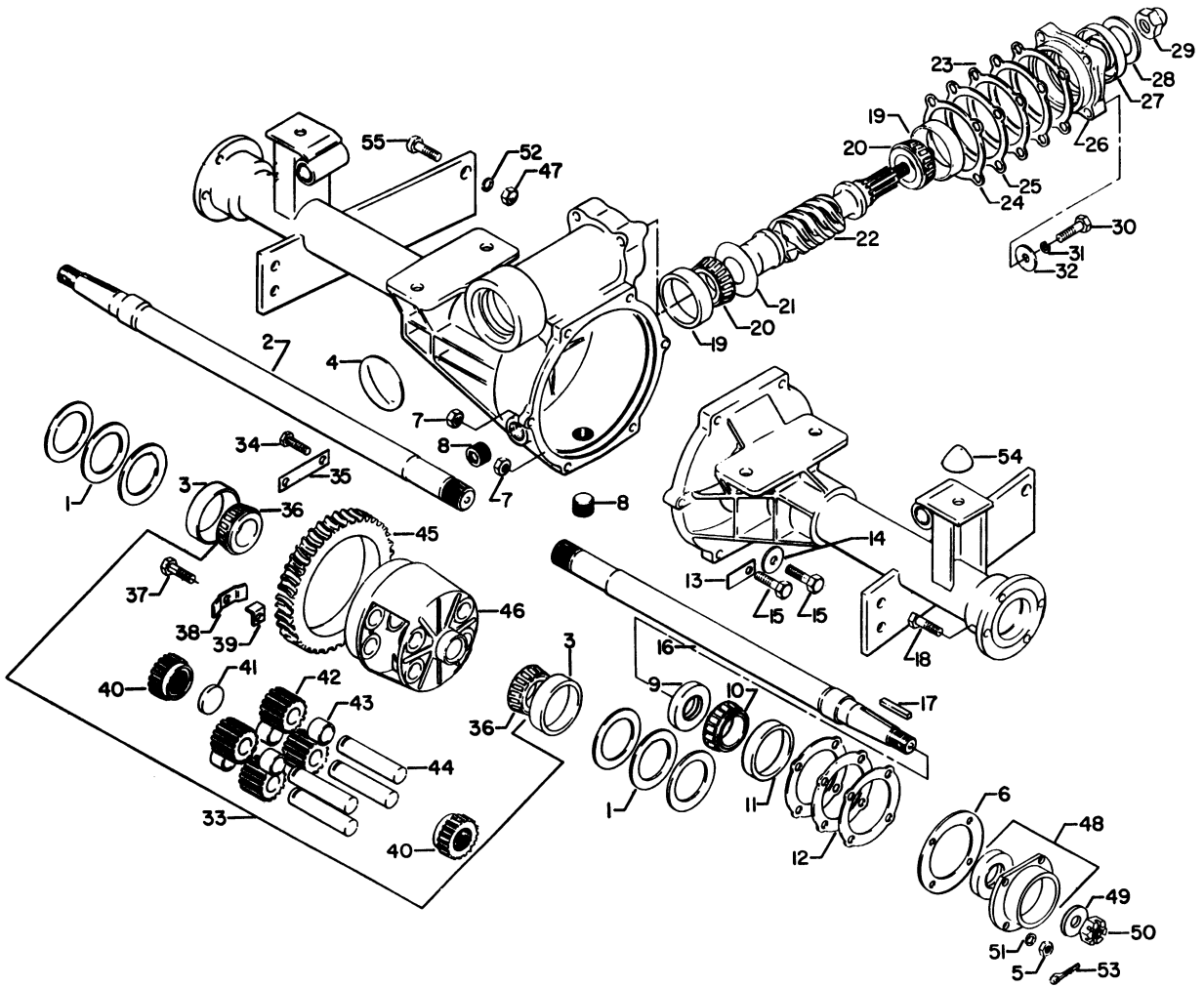
RAMP SET

RAMP SET

#	PART #	DESCRIPTION	QTY	NOTE
1	881997	Ramp board	1	
2	882008	Tail gate ramp plate	1	
3	800135	TSCRW,#8-16.50 YS PS (KC)	6	
4	800059	Nut, 1/4-20 Hex Centerlock	2	
5	800303	WSHR,.25.45.093 SPS SPRNG KC	1	
6	820559	Ramp board stop	2	
7	800017	Screw, 1/4-20 x 1" Pan Head	2	

RAMP SET

REAR AXLE



REAR AXLE

Schematic_3778

REAR AXLE

#	PART #	DESCRIPTION	QTY	NOTE
	879898	DIFF AY,WORM GEAR 6.50:1	1	
	879733	Rear axle, complete (13:1)	1	
	879750	DIFF AY,WORM GEAR 8.20:1	1	
	879899	DIFF AY,WORM GEAR 4.71:1	1	
	879963	DIFF AY,WORM GEAR 10.25:1	1	
	815059	SHAFT, WORM 4.71:1	1	
	814470	SHIM,.005	1	
	814471	SHIM,.010	1	
	814128	SHAFT, WORM 6.5:1	1	
	814467	SHIM,.010	1	
	814468	SHIM,.030	1	
	818226	PLUG,EXPANSION 2.50 PS	1	
	879749		1	
	879962	GEAR AY, CARRIER	1	
	879895		1	
	879893		1	
	814204	GEAR, WORM 10.25:1	1	
	816036	USE 0830557	1	
	815060		1	
	814129		1	
	805321	SHIM,.010	1	
	805322	SHIM,.030	1	
	816045	TAG, DIFFERENTIAL	1	
	815490	TAG, DIFF RATIO	1	
	815324	TAG, RATIO	1	
	815323	TAG, RATIO	1	
	814203	SHAFT, WORM 10.25:1	1	
	816035	SHAFT, WORM 8.2:1	1	
1	814469	SHIM,.003	1	
2	880261	AXLE	1	
3	813470		4	
4	800244	Expansion plug, 2 3/8	1	
5	306932	Nut, 5/16-18 Hex	8	
6	808303	GASKET,WHEEL HUB	2	
7	800290	NUT,.31-18 YS HX CENTERLOCK KEG KC	6	
8	800231	PLUG - PIPE	2	
9	814477	SEAL, OIL	2	
10	814473	CONE, TAPERED ROLLER BEARING 1.00 ID	2	
11	814474	Inner Bearing Cup	2	
12	805320	SHIM,.005	1	
13	814851	TAG, RATIO, 13.00:1	1	
14	103867	Flat Washer, 5/16	5	
15	304055	SCRW,.31-18 1.38 YS HX G5 (KC)	6	
16	880259	AXLE	1	
17	805875	KEY,.19SQ X 1.75LG PS (KC)	2	
18	806251	SCRW,.31-18.94 ZS SPCL HED KC	8	

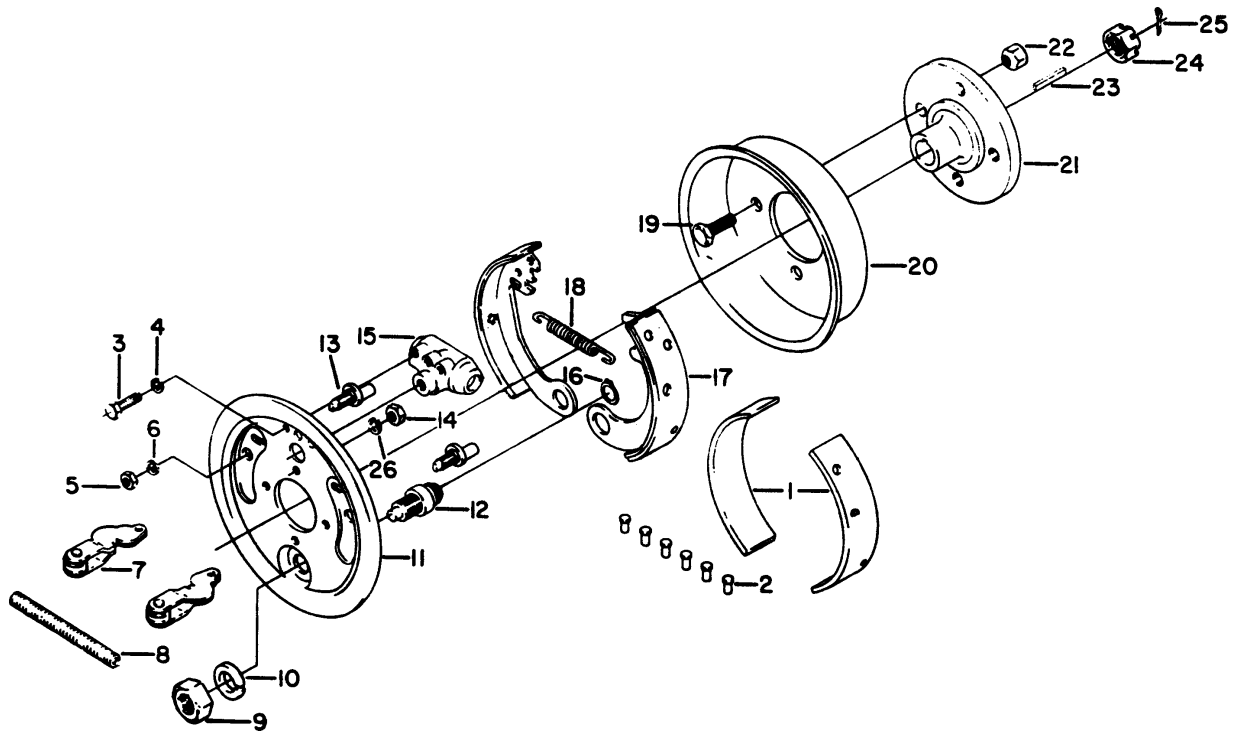
REAR AXLE

REAR AXLE

#	PART #	DESCRIPTION	QTY	NOTE
19	814476	Cup, Bearing	2	
20	814475	CONE,TPR RLR BRG 1.19ID	2	
21	814478	SLINGER, OIL	1	
22	814130	SHAFT, WORM 13.00:1	1	
23	814466	SHIM,.005	1	
24	814465	GASKET	2	
25	816515	SHIM,.003	1	
26	814226	HOUSING, BEARING	1	
27	812335	Seal, Oil	1	
28	809180	Flat Washer, 1/2	1	
29	800198	Locknut, 1/2-20	1	
30	551094	SCREW, .38-16 1.75 YS HX G5	4	
31	120177	Lockwasher, 3/8	4	
32	306405	Washer, 3/8	4	
33	879473	CARRIER AY, DIFF	1	
34	816812	SCRW,.38-16 1.25 PSHXG5SPCL(KC	1	
35	815794	PLATE, LOCK	1	
36	813471		2	
37	306555	Screw, 5/16-18 x 5/8 in. Hex Head	2	
38	816823	PLATE, RETAINER	2	
39	816824	PLATE, RETAINER	2	
40	814481	GEAR, AXLE SHAFT	2	
41	814484	SPACER	1	
42	814482	GEAR, DIFF PLANET	4	
43	814483	SPACER,.63 .88 .61 POWDERED METAL	4	
44	816825	SHAFT, DIFF GEAR	4	
45	814131	GEAR, WORM 13.00:1	1	
46	814479	CASE, CARRIER	1	
47	800379	Nut, 1/2-13 Hex Flange	4	
48	879476	RETAINER AY,SEAL	2	
49	809156	Spacer	2	
50	805843	NUT, .62-18 ZS HX SLOTTED (KC)	2	
51	306325	Lockwasher, 5/16	8	
53	304636	Cotter Pin, 1/8 x 1-1/8"	2	
54	813850	Bumper, Travel Limiting	2	
55	800380	Screw, 1/2-13 x 1-1/4" Hex Flange	4	

REAR AXLE

REAR WHEEL AND BRAKE ASSEMBLY



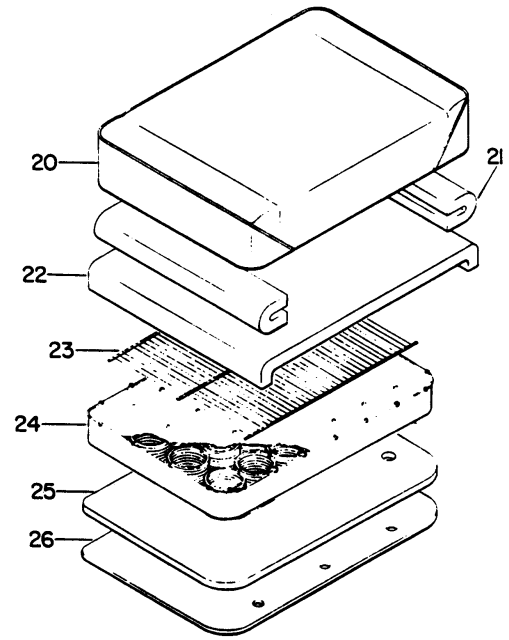
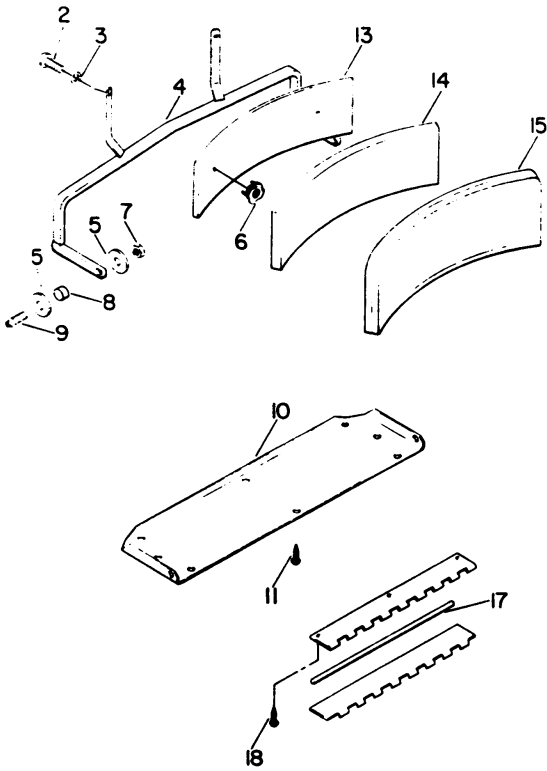
REAR WHEEL AND BRAKE ASSEMBLY

REAR WHEEL AND BRAKE ASSEMBLY

#	PART #	DESCRIPTION	QTY	NOTE
	815838	SCRW,WHL .44-20 3.19 YS HX G5	4	
	815839		1	
	821152	HUB,WHEEL	1	
	883027	USE 0884399	1	
	883026	USE 0884402	1	
1	878159	LINING & RIVET KIT (SUPERSEDE TO 887284	1	
2	800318	RIVET#3-3.5 PB CNTRSNK TBLR(KC	12	
3	306419	Screw, 1/4-20 x 1/2 in. Hex Head	2	
4	306396	Lockwasher, 1/4	4	
5	306319	Nut, 3/8-24 Hex	2	
6	306353	LWSHR,.38.07 YS SPRING (KC)	2	
7	876732	LEVER AY, BRAKE (PLATED)	2	
8	810380	SPRING,COMPRESSION	1	
9	130084	NUT,.62-18 YS HEX (KEG KC)	1	
10	306494	LWSHR,.62.12 YS SPRNG (KEG KC	1	
11	876519	SHIELD AY,BRK DUST BLK	1	
12	806758	PIN, HEEL	1	
13	806761	PIN, ADJUSTMENT	2	
14	306932	Nut, 5/16-18 Hex	4	
15	807343	WHEEL CYLINDER	1	
16	809252	RING, XT RET.625 ID.37T PS	1	
17	876324	USE 0887284	2	
18	805441	SPRING,EXTENSION	1	
19	806274	STUD, WHEEL .44-20 1.56 F YS G5	4	
20	805030	DRUM, BRAKE BLK	1	
21	815432		1	
22	805860	Nut, 7/16-20 Wheel Retaining	4	
23	805875	KEY,.19SQ X 1.75LG PS (KC)	1	
24	805843	NUT, .62-18 ZS HX SLOTTED (KC)	1	
25	304636	Cotter Pin, 1/8 x 1-1/8"	1	
26	306325	Lockwasher, 5/16	1	

REAR WHEEL AND BRAKE ASSEMBLY

SEAT AND BACKREST



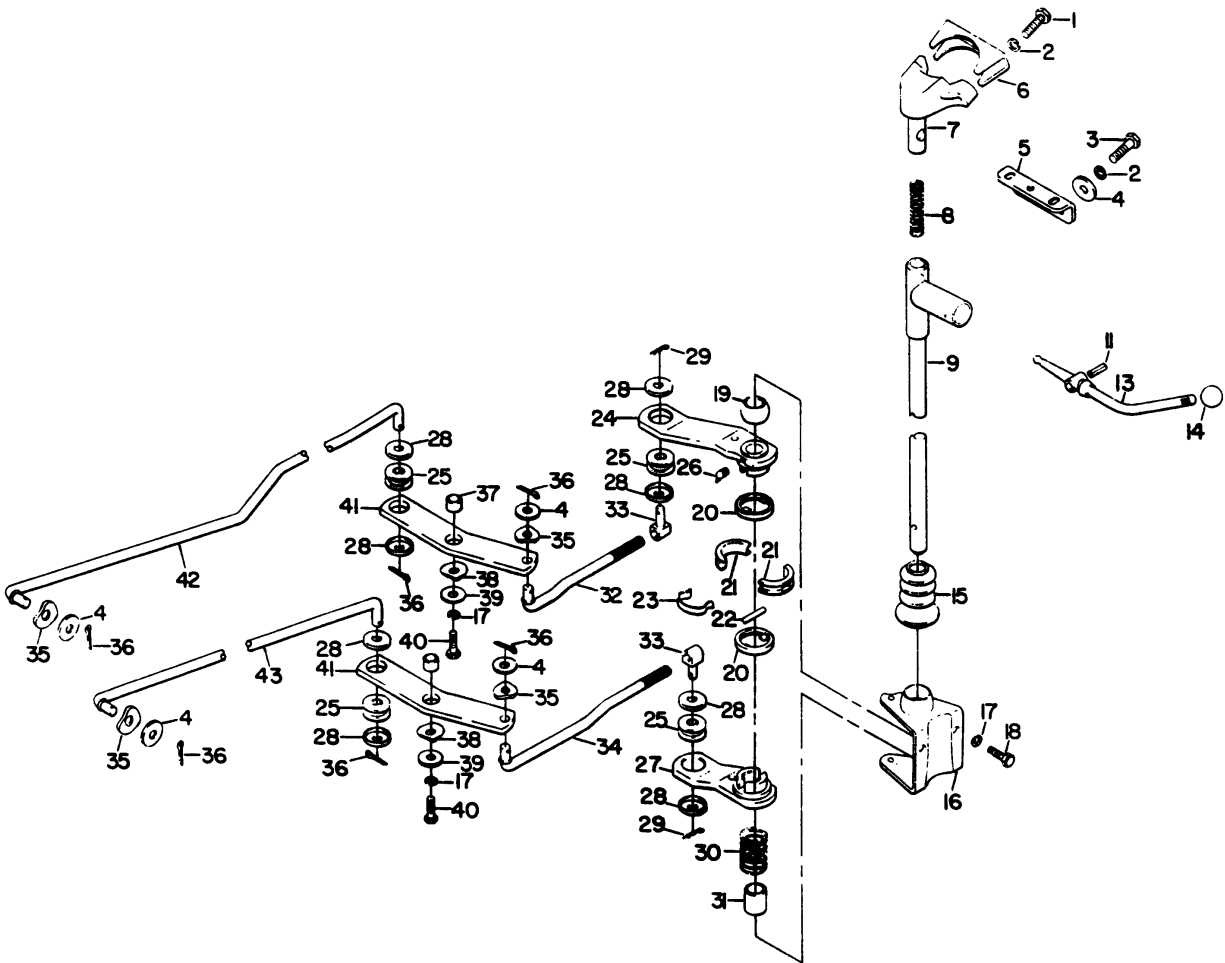
SEAT AND BACKREST

SEAT AND BACKREST

#	PART #	DESCRIPTION	QTY	NOTE
1	880835	Backrest complete	1	
2	306409	SCRW, .25-20.875 YS HX G5 (KC)	2	
3	306999	Lockwasher, 1/4 Internal Tooth	2	
4	879941		1	
5	103867	Flat Washer, 5/16	6	
6	810386	Tee Nut, 1/4-20 Long Prong	2	
7	302103	NUT, .31-18 YS HEX JAM	2	
8	809027	BUSHING	2	
9	800030	SCRW, .31-18 1.0 YS PR G2	2	
10	806642	Support	1	
11	800313	SCREW	13	
12	880138		1	
13	880630	Board backrest, w/tee nut	1	
14	815651	Pad	1	
15	815685	COVER, BACKREST	1	
16	812208	HINGE, CONTINUOUS	1	
17	812246	Pin, hinge	1	
18	800313	SCREW	13	
19	880121		1	
20	880819	COVER	1	
21	817461	Pad, Seat	2	
22	817475	Pad, seat	1	
23	810068	Support, padding	1	
24	814162	Spring, seat	1	
25	810063	Board, seat	1	
26	817008	Insulation	1	

SEAT AND BACKREST

SHIFTER LINKAGE



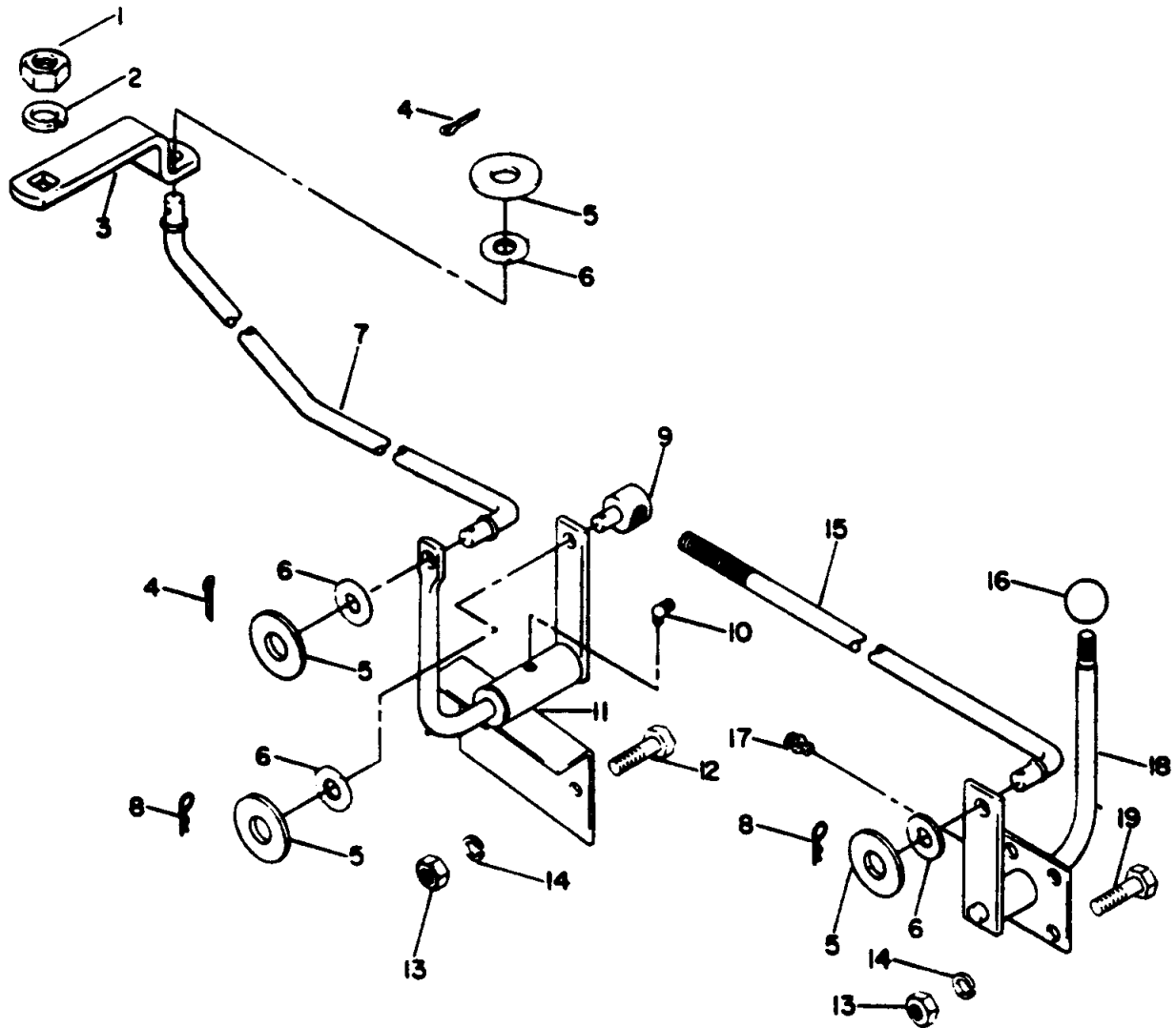
SHIFTER LINKAGE

SHIFTER LINKAGE

#	PART #	DESCRIPTION	QTY	NOTE
1	306424	SCREW, HEX HEAD CAP	2	
2	306325	Lockwasher, 5/16	2	
3	306322	Screw, 5/16-18 x 7/8 in. Hex Head	2	
4	103867	Flat Washer, 5/16	6	
5	816668		1	
6	812991	CLAMP	1	
7	878870	SUPPORT AY, LEVER	1	
8	813003	SPRING	1	
9	878873	SHAFT AY, SHIFTER BLK	1	
11	306971	PIN,RL.188 1.125 CARB STL(KC)	2	
12	812995	SPRING	1	
13	824017	LEVER,GEAR SHIFT (PLATED)	1	
14	812997	KNOB	1	
15	811928	BOOT, MASTER CYL	1	
16	880921	BRKT. AY, GEAR SHIFT BLK	1	
17	306396	Lockwasher, 1/4	4	
18	306419	Screw, 1/4-20 x 1/2 in. Hex Head	2	
19	813005	SHAFT FULCRUM	1	
20	813008	SEAL	2	
21	813009	DIRT SEAL SPACER	2	
22	813004	PIN	1	
23	813010	SPACER RETAINER	1	
24	880337	LOW & REV LEVER AY	1	
25	813007	BUSHING	1	
25	813007	BUSHING	2	
26	112279	FITTING, GREASE	1	
27	878875	ARM AY, 2ND/HIGH	1	
28	814502	WSHR,.33 1.03.11 YS CUPPED	8	
29	821164	Hair Pin, 1/4 x 1-1/8 x 1/16"	2	
30	813011	SPRING	1	
31	816800	BUSHING	1	
32	880809	ROD&CONN. PIN AY	1	
33	817495	PIN,ROD CONNECTING (PLATED)	1	
34	880829	ROD&CONN. PIN AY	1	
35	800254	Lockwasher, 3/8" Heavy	4	
36	306328	Cotter Pin, 3/32 x 3/4"	6	
37	815678	BEARING	2	
38	800251	WSHR,.66 1.06.12 SPS SPRNG KC	2	
39	815680	WSHR,.266 1.12.07 YS FLAT (KC)	2	
40	300646	Screw, 1/4-20 x 3/4" Hex Head	2	
41	880132	GEAR SHIFT ARM AY	2	
42	815357	ROD, GEARSHIFT	1	
43	815358	GEAR SHIFT ROD (PLATED)	1	

SHIFTER LINKAGE

SHIFTER LINKAGE (AUXILIARY TRANSMISSION)



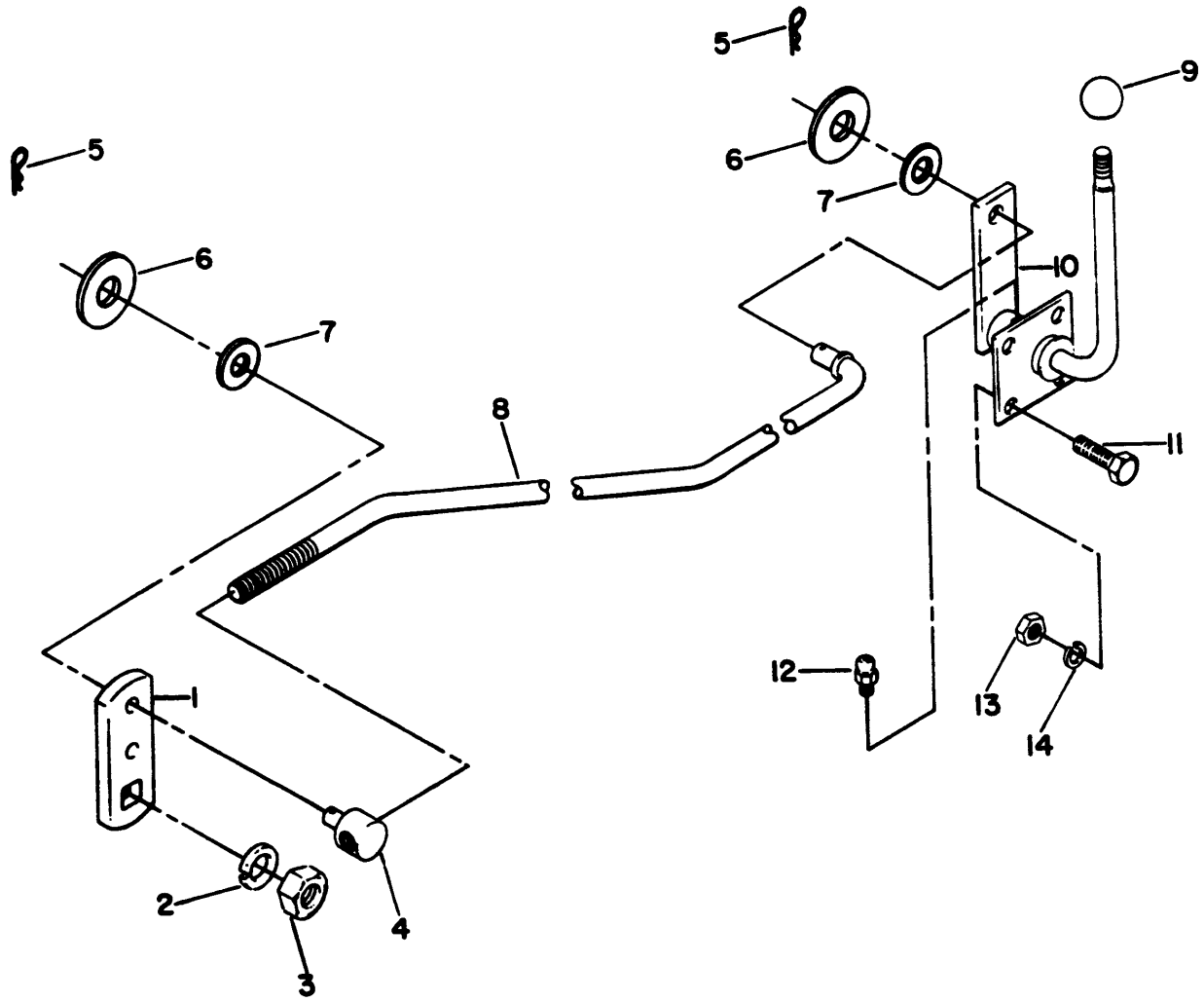
SHIFTER LINKAGE (AUXILIARY TRANSMISSION)

SHIFTER LINKAGE (AUXILIARY TRANSMISSION)

#	PART #	DESCRIPTION	QTY	NOTE
	818528		1	
1	130541	NUT,.5-20 YS HX JAM (KC)	1	
2	120166	Lockwasher, 1/2	1	
3	817375	ARM,TRANS SHIFTER BLK	1	
4	306328	Cotter Pin, 3/32 x 3/4"	4	
5	306981	Flat Washer, 3/8	4	
6	800254	Lockwasher, 3/8" Heavy	4	
7	817372	Rod, rear	1	
8	821164	Hair Pin, 1/4 x 1-1/8 x 1/16"	2	
9	817387	PIN,ROD CONNECTING	1	
10	807442	HOUSING	1	
11	880791	Bellcrank	1	
12	300646	Screw, 1/4-20 x 3/4" Hex Head	2	
13	306375	Nut, 1/4-20 Hex	4	
14	306396	Lockwasher, 1/4	4	
15	817373	Rod, front (for models without h	1	
16	812997	KNOB	1	
17	807439	Fitting, Lubrication, 1/4-28	1	
18	880804		1	
19	306487	SCREW, 1/4 - 20 X 5/8 YS HX G5	2	

SHIFTER LINKAGE (AUXILIARY TRANSMISSION)

SHIFTER LINKAGE (POWER TAKE-OFF)



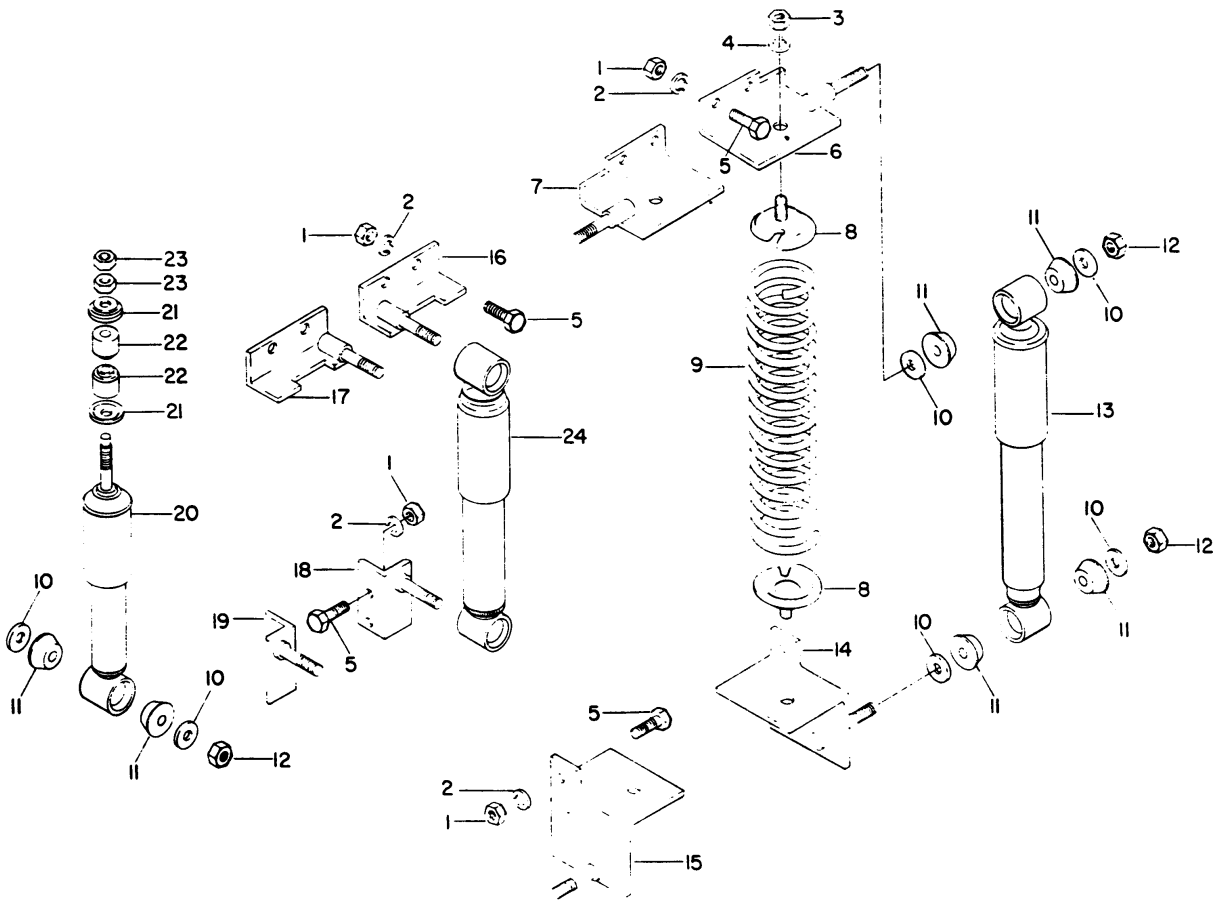
SHIFTER LINKAGE (POWER TAKE-OFF)

SHIFTER LINKAGE (POWER TAKE-OFF)

#	PART #	DESCRIPTION	QTY	NOTE
	818527	ROD, PTO SHIFTER	1	
1	817397	Arm, PTO Shifter	1	
2	120166	Lockwasher, 1/2	1	
3	301988	Nut, 1/2-20 Hex	1	
4	817387	PIN,ROD CONNECTING	1	
5	821164	Hair Pin, 1/4 x 1-1/8 x 1/16"	2	
6	306981	Flat Washer, 3/8	2	
7	800254	Lockwasher, 3/8" Heavy	2	
8	817399	Rod, shifter (for models without	1	
9	812997	KNOB	1	
10	880804		1	
11	306487	SCREW, 1/4 - 20 X 5/8 YS HX G5	2	
12	807439	Fitting, Lubrication, 1/4-28	1	
13	306375	Nut, 1/4-20 Hex	2	
14	306396	Lockwasher, 1/4	2	

SHIFTER LINKAGE (POWER TAKE-OFF)

SHOCK ABSORBER AND HEAVY DUTY SPRINGS



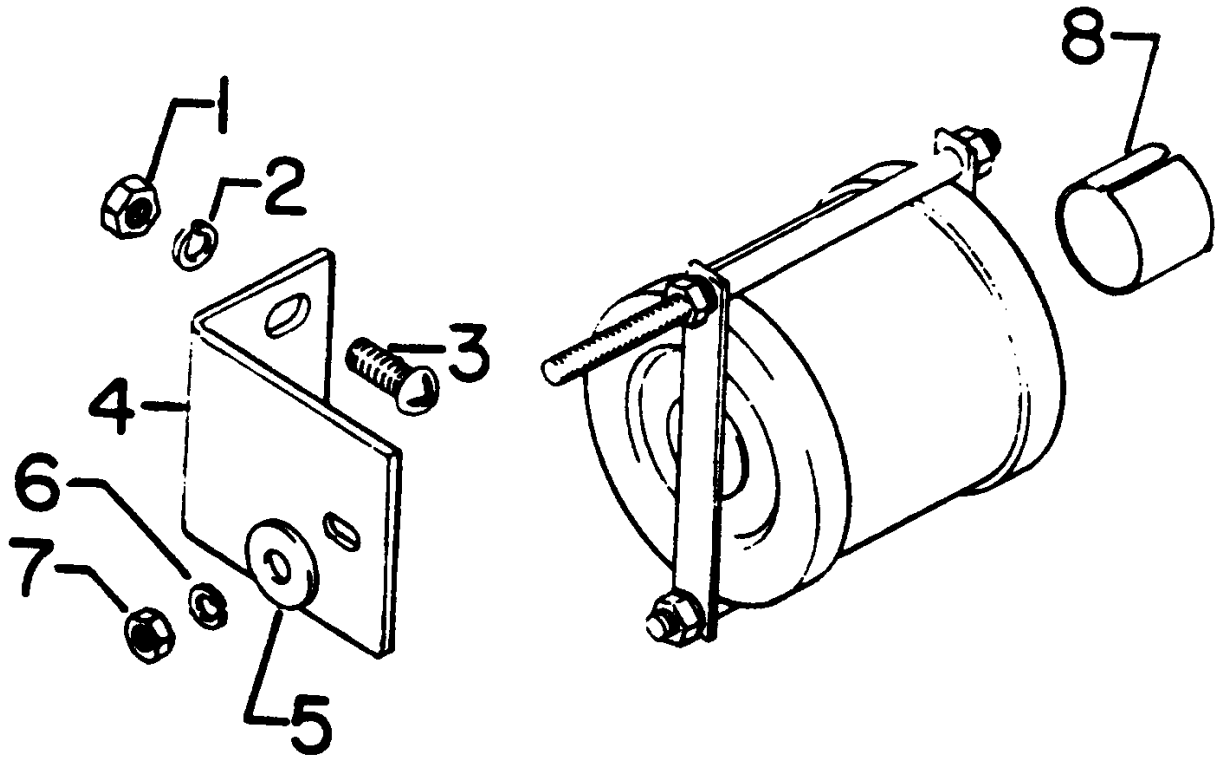
SHOCK ABSORBER AND HEAVY DUTY SPRINGS

SHOCK ABSORBER AND HEAVY DUTY SPRINGS

#	PART #	DESCRIPTION	QTY	NOTE
	880571	SHOCK&SPRG ACC SET	1	
	880874		1	
	879979	Shock absorber set, rear	1	
1	306562	Nut, 3/8-16 Hex	8	
2	120177	Lockwasher, 3/8	8	
3	308332	NUT, HEX	4	
4	120166	Lockwasher, 1/2	4	
5	306835	Screw, 3/8-16 x 1-1/4 in. Hex Head	8	
6	880570	BRACKET AY, RT MTG BLK	1	
7	880569	LT MTG BRACKET AY BLK	1	
8	876660	RETAINER AY (PLATED)	4	
9	816380	SPRING	4	
10	812666		10	
10	812666		4	
10	812666		8	
11	810146		8	
11	810146		4	
12	800294	Locknut, 7/16-14 Hex Center	4	
12	800294	Locknut, 7/16-14 Hex Center	2	
13	807335	SHOCK ABSORBER	2	
14	880568	RT MTG BRACKET AY BLK	1	
15	880567	LT MTG BRACKET AY BLK	1	
16	880218	BRACKET AY, SHOCK ABSORBER	1	
17	880217		1	
18	879977		1	
19	879978	Bracket, lower left	1	
20	813848	SHOCK ABSORBER	2	
21	810758	Retainer	4	
22	810157	Bushing, Rubber	4	
23	306388	Nut, 3/8-24 Hex Jam	4	
24	807332	Shock Absorber	2	

SHOCK ABSORBER AND HEAVY DUTY SPRINGS

SPARK ARRESTOR (Part 1)



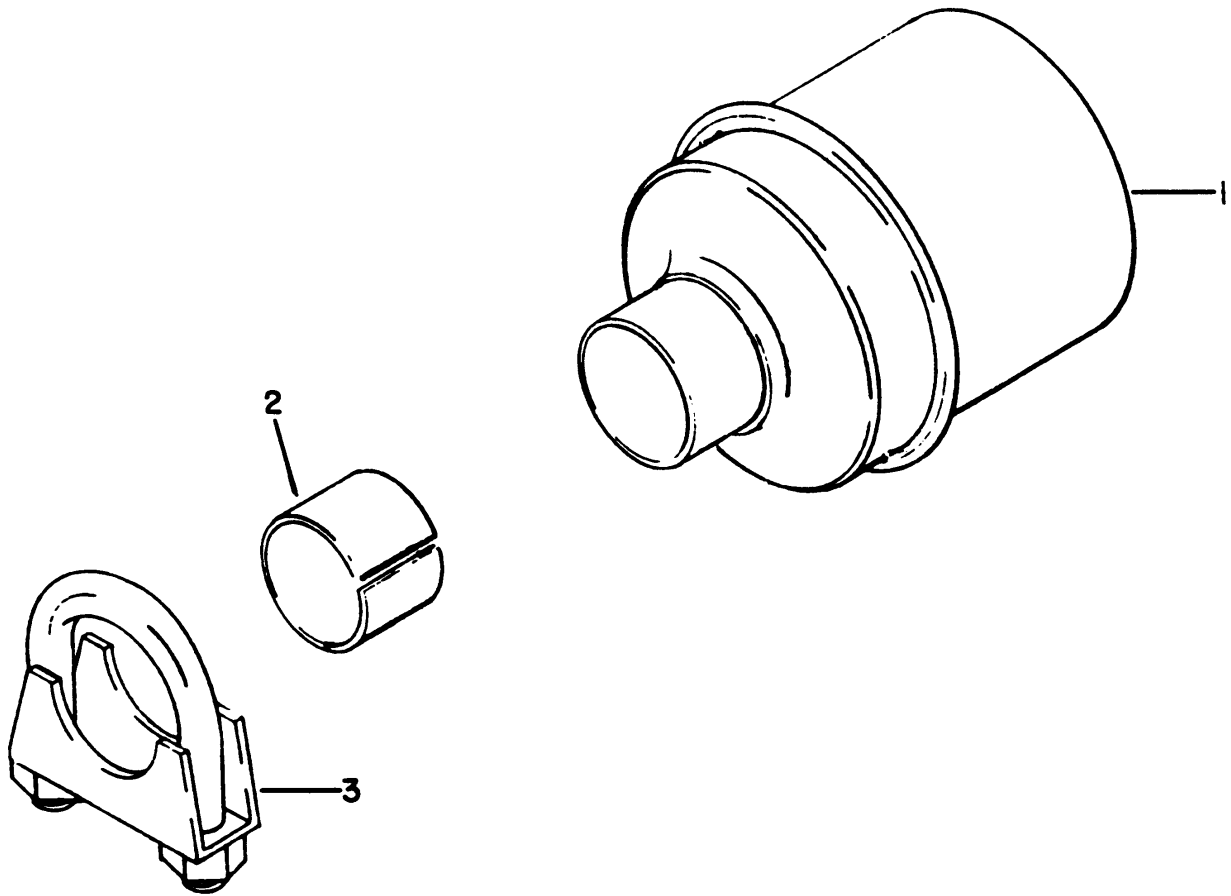
SPARK ARRESTOR (Part 1)

SPARK ARRESTOR (Part 1)

#	PART #	DESCRIPTION	QTY	NOTE
	879345	Spark Arrestor	1	
1	306562	Nut, 3/8-16 Hex	2	
2	120177	Lockwasher, 3/8	2	
3	306414	Screw, 3/8-16 X 1" Hex Head	2	
4	814077	BRACKET	1	
5	308090	Flat Washer, 1/4	1	
6	306396	Lockwasher, 1/4	1	
7	306375	Nut, 1/4-20 Hex	1	
8	813243	Shim	1	

SPARK ARRESTOR (Part 1)

SPARK ARRESTOR (Part 2)

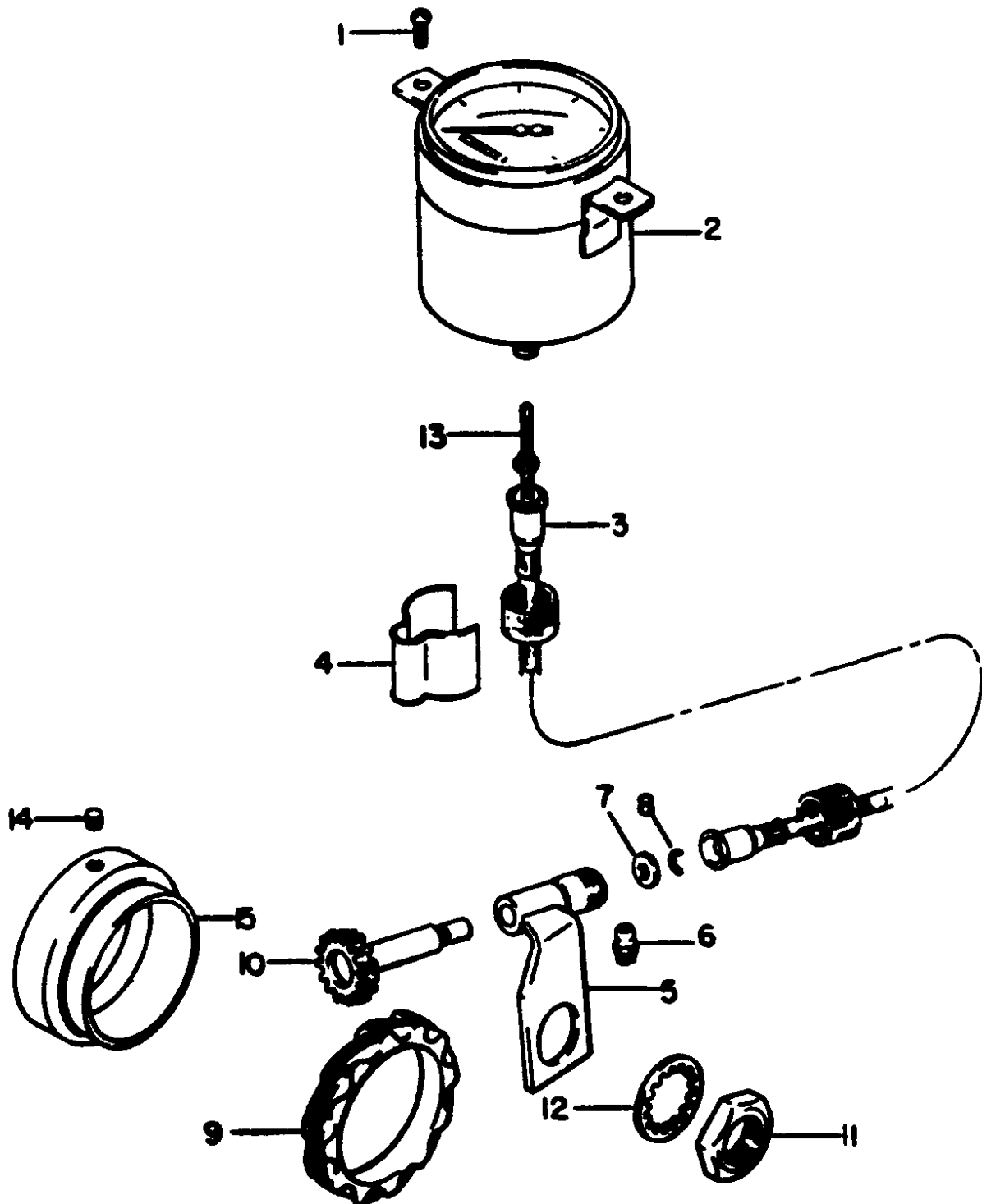


SPARK ARRESTOR (Part 2)

#	PART #	DESCRIPTION	QTY	NOTE
1	822139	Spark Arrester	1	
2	822141	ADAPTER SLEEVE	1	
3	818962	Clamp, Tubing	1	

SPARK ARRESTOR (Part 2)

SPEEDOMETER FRONT WHEEL (Not For Turf-Truckster)



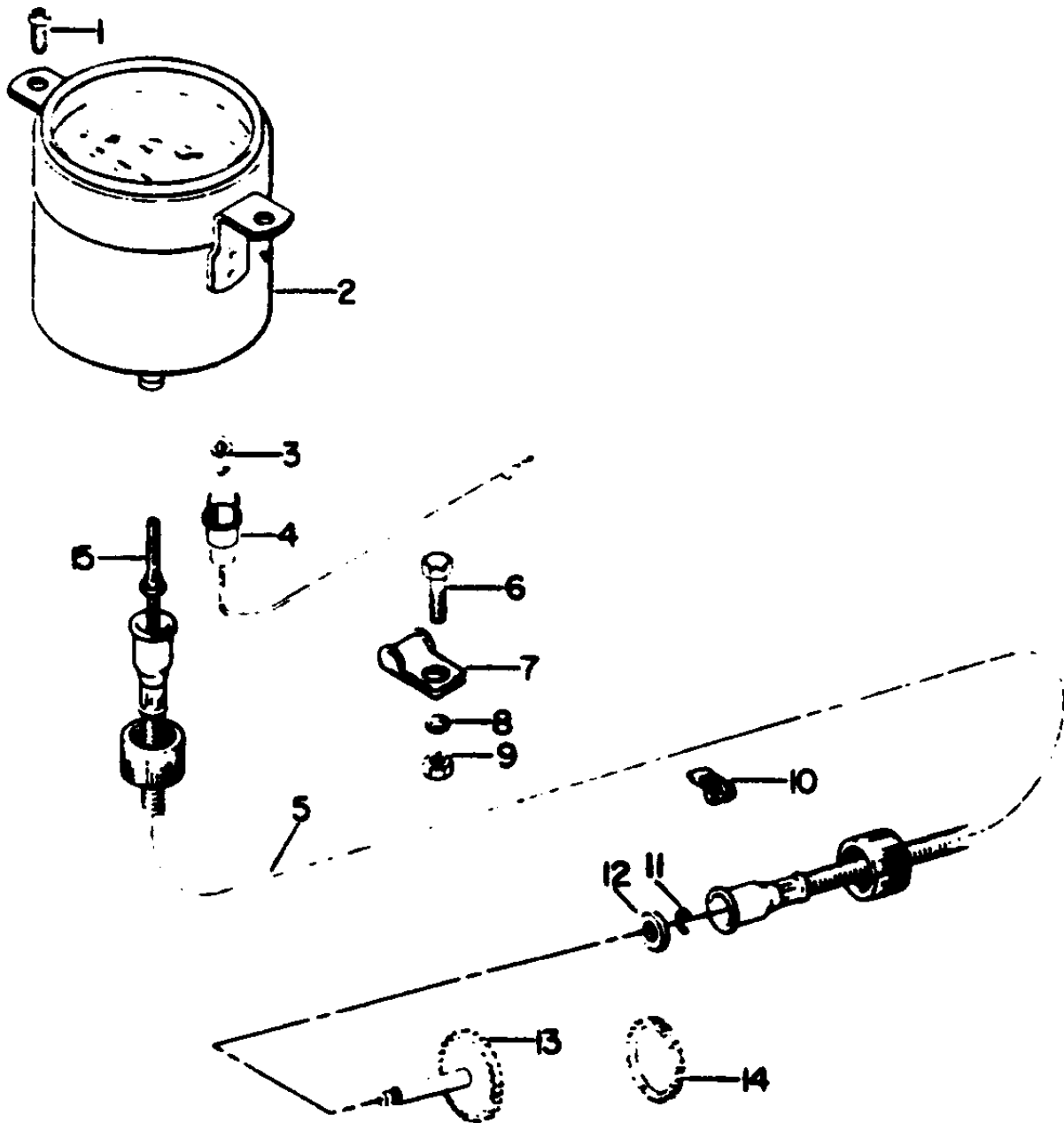
SPEEDOMETER FRONT WHEEL (Not For Turf-Truckster)

SPEEDOMETER FRONT WHEEL (Not For Turf-Truckster)

#	PART #	DESCRIPTION	QTY	NOTE
	815208	Plug, expansion	1	
1	306920	Screw, #10-32 x 1/2 P.T.H	2	
2	880844		1	
3	812422		1	
4	810439	CLIP	1	
5	876700		1	
6	815695	LUB FITTING ALEMITE	1	
7	809018	BSHG,THRUST.26.44.12 NYLON	1	
8	809257	RETAINING RING (KC)	1	
9	806456	Gear, drive	1	
10	806458	Gear, driven	1	
11	805814		1	
12	306995		1	
13	812421		1	
14	800099	SET SCREW	3	
15	820664	Hub adapter (use with 5.00 x 8 o	1	

SPEEDOMETER FRONT WHEEL (Not For Turf-Truckster)

SPEEDOMETER Rear Wheel



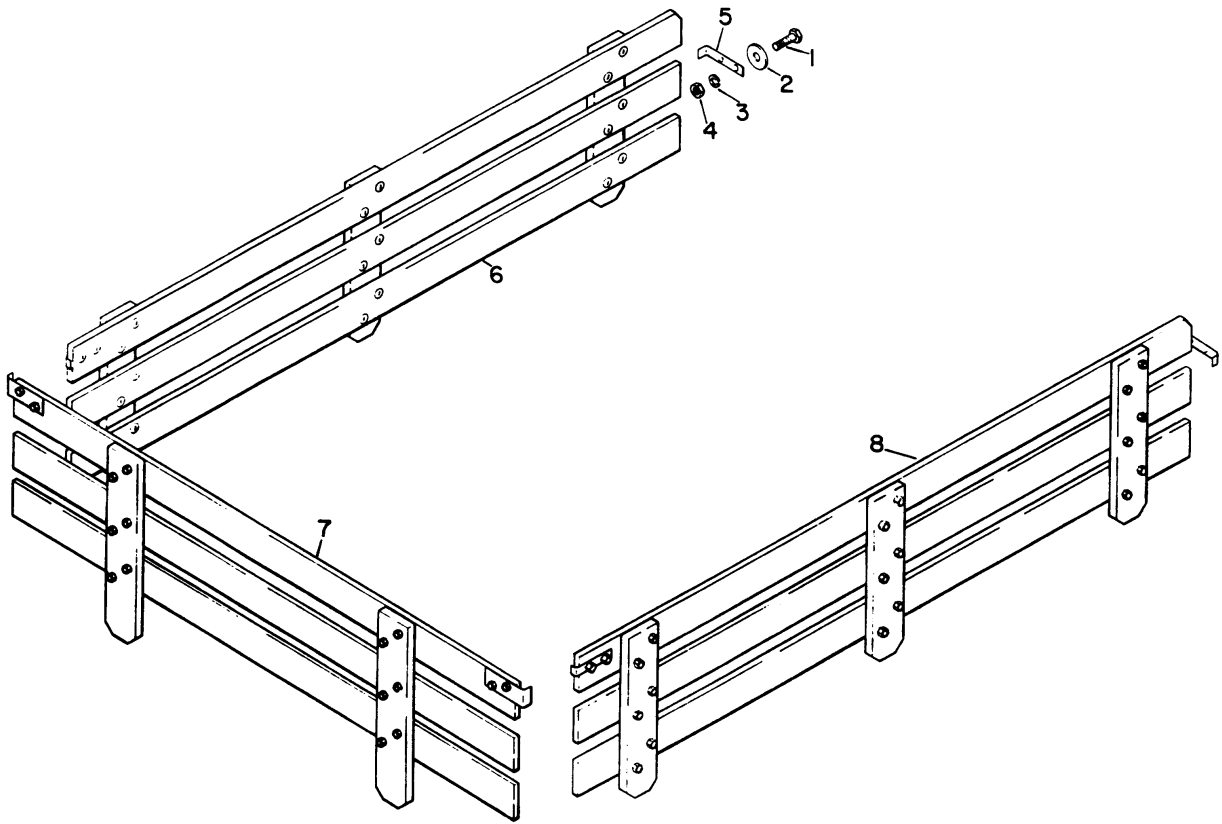
SPEEDOMETER Rear Wheel

SPEEDOMETER Rear Wheel

#	PART #	DESCRIPTION	QTY	NOTE
1	306920	Screw, #10-32 x 1/2 P.T.H	2	
2	880844		1	
3	811953	BULB,#53 LIGHT	1	
4	817513		1	
5	821339	Cable assembly, speedometer	1	
6	306419	Screw, 1/4-20 x 1/2 in. Hex Head	2	
7	809143	Clamp, 1/4" Tube	2	
8	306396	Lockwasher, 1/4	2	
9	306375	Nut, 1/4-20 Hex	2	
10	813840	CLIP (KC)	1	
11	809257	RETAINING RING (KC)	1	
12	809018	BSHG,THRUST.26.44.12 NYLON	1	
13	821153	GEAR,SPEEDOMETER	1	
14	821154	SPEEDOMETER GEAR	1	
15			1	

SPEEDOMETER Rear Wheel

STAKE RACK (FLATBED MODELS)



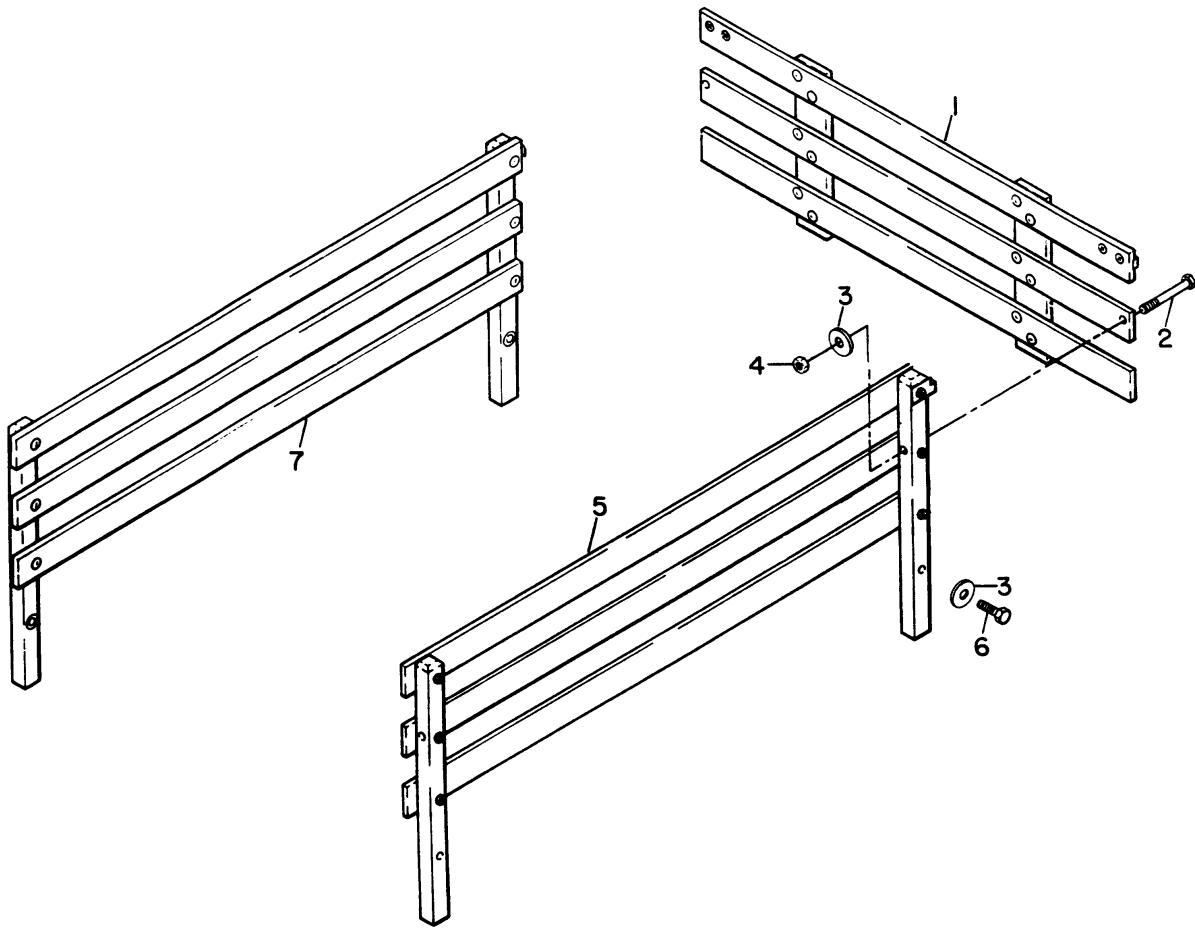
STAKE RACK (FLATBED MODELS)

STAKE RACK (FLATBED MODELS)

#	PART #	DESCRIPTION	QTY	NOTE
	880662	Stake rack set	1	
1	300646	Screw, 1/4-20 x 3/4" Hex Head	4	
2	308090	Flat Washer, 1/4	4	
3	306396	Lockwasher, 1/4	4	
4	800059	Nut, 1/4-20 Hex Centerlock	4	
5	808448		2	
6	876924	Rack, left side	1	
7	880606	Gate, end	1	
8	876925	Rack, right side	1	

STAKE RACK (FLATBED MODELS)

STAKE RACK (STANDARD PICKUP MODEL)



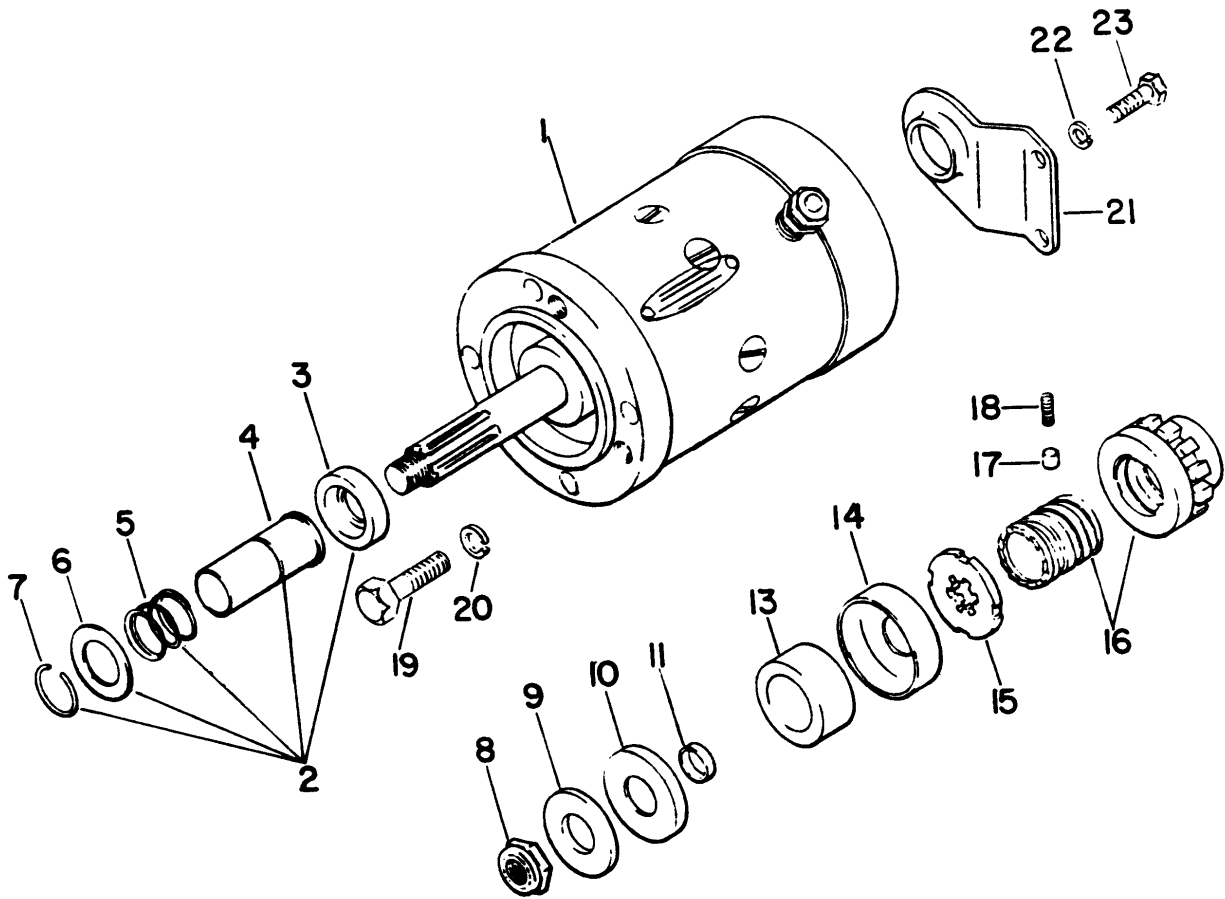
STAKE RACK (STANDARD PICKUP MODEL)

STAKE RACK (STANDARD PICKUP MODEL)

#	PART #	DESCRIPTION	QTY	NOTE
	878577	Stake Rack Set	1	
1	876854	Rack front	1	
2	800212	Bolt 5/16	2	
3	103867	Flat Washer, 5/16	6	
4	306932	Nut, 5/16-18 Hex	2	
5	878578	Rack right side	1	
6	306501	SCREW	4	
7	878579	Rack left side	1	

STAKE RACK (STANDARD PICKUP MODEL)

STARTER



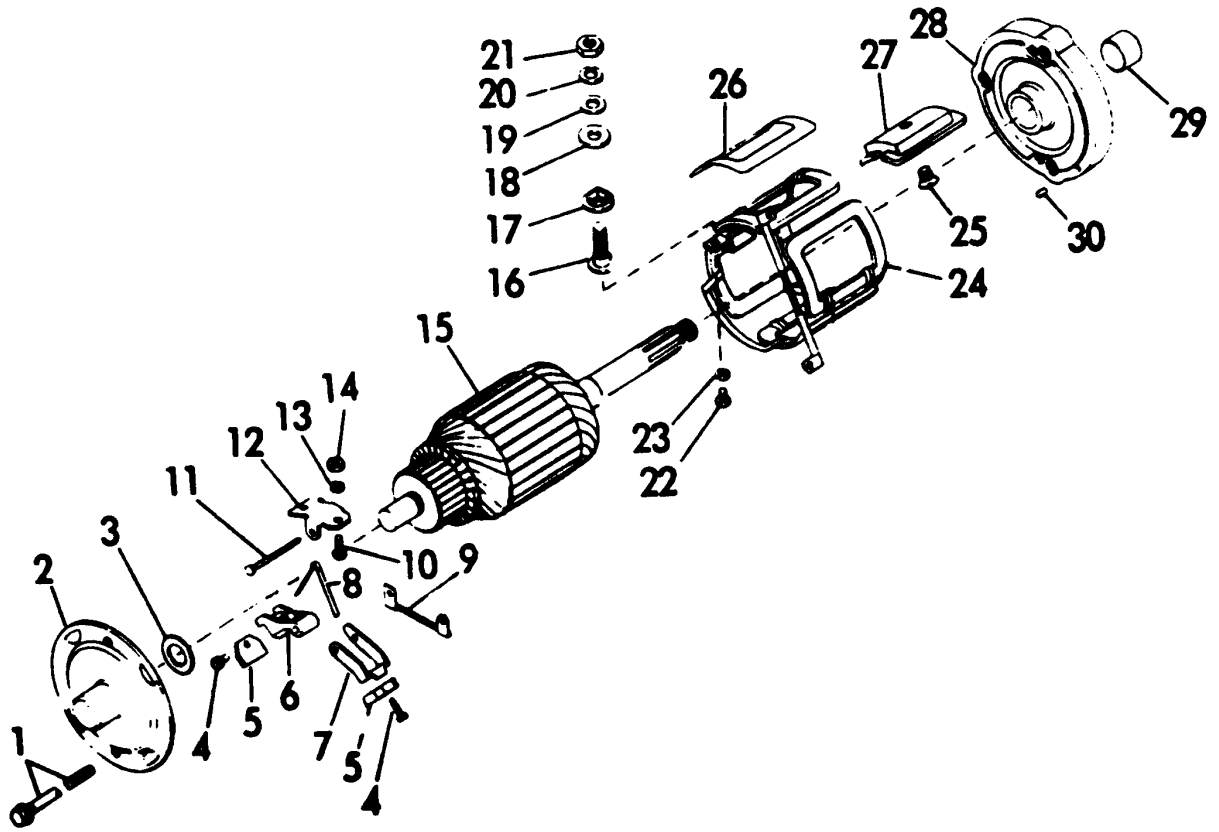
STARTER

STARTER

#	PART #	DESCRIPTION	QTY	NOTE
	110901		1	
1	110905		1	
2	112042	DRIVE SPROCKET	1	
3	112047	STRAP SUPPORT	1	
4	112046	ENGINE DECK SIDE PLATE	1	
5	112045		1	
6	112044	MOUNT-ENGINE REAR	1	
7	112043	MOUNT-ENGINE FRONT	1	
8	112029	BATTERY TRAY	1	
9	112030	PEDAL R.H.	1	
10	112031	RIM R.H. PEDAL	1	
11	112032	MOUNT CONTROL	1	
13	112034		1	
14	112035	ENGINE DECK TOP PLATE	1	
15	112036		1	
16	110902		1	
17	112041	BAR,BAFFLE SUPPORT	1	
18	112040		1	
19	306414	Screw, 3/8-16 X 1" Hex Head	3	
20	120177	Lockwasher, 3/8	3	
21	160386	Bracket, support	1	
22	306396	Lockwasher, 1/4	2	
23	306409	SCRW, .25-20.875 YS HX G5 (KC)	2	

STARTER

STARTER-MOTOR (DELCO-REMY)



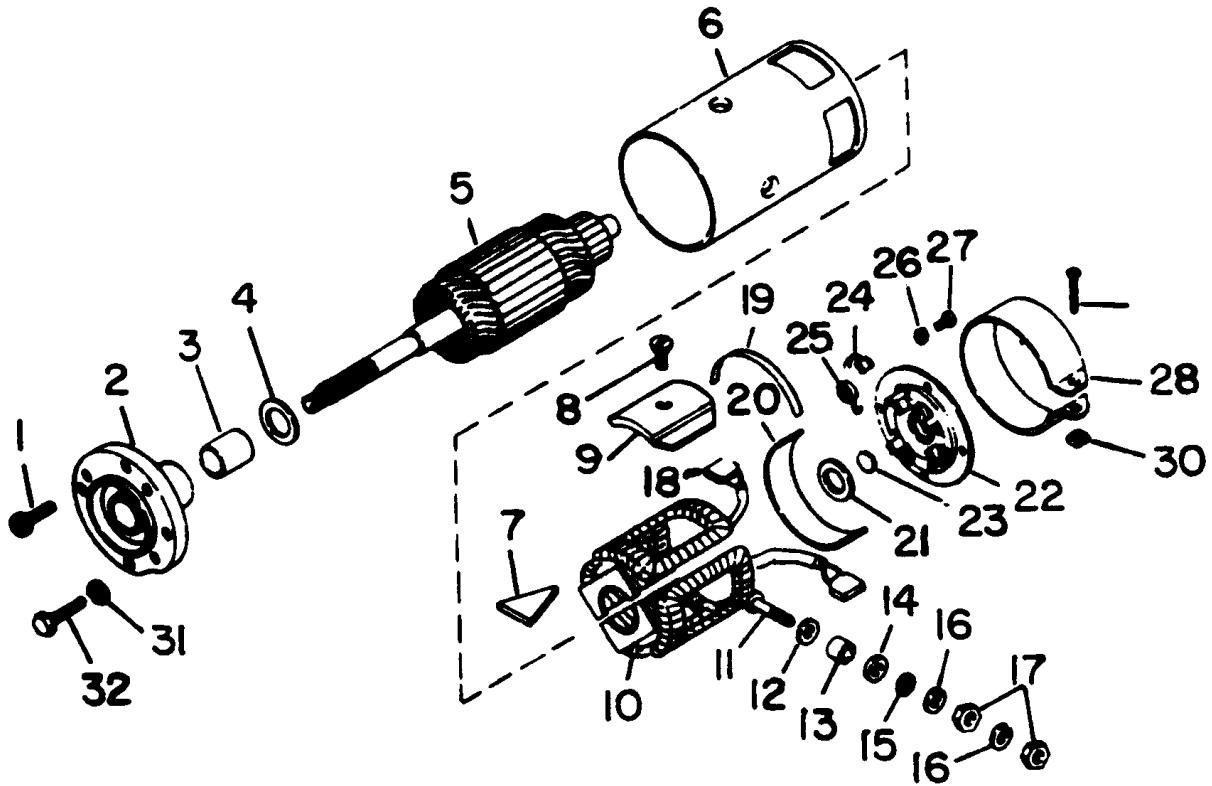
STARTER-MOTOR (DELCO-REMY)

STARTER-MOTOR (DELCO-REMY)

#	PART #	DESCRIPTION	QTY	NOTE
	110905		1	
	110966		1	
1	110972		2	
2	110959		1	
3	110960		1	
4	110965		4	
5	110961		4	
6	110964		2	
7	110963		2	
8	110962		2	
9	110967		1	
10	309857		2	
11	110968		1	
12			1	
13	120052	Lockwasher, #10	2	
14	306531	Nut, #10-24 Hex	2	
15	110950		1	
16	110953		1	
17	110957		1	
18	110956		1	
19	110958		1	
20	306325	Lockwasher, 5/16	2	
21	306932	Nut, 5/16-18 Hex	2	
22	302430	Screw, #8	1	
23	120122	LOCKWASHER, #8.03 YS SPRING	1	
24	110954		1	
25	110952		4	
26	110955		4	
27	110951		4	
28	110969		1	
29	110970		1	
30	110971		1	

STARTER-MOTOR (DELCO-REMY)

STARTER-MOTOR (PRESTOLITE)



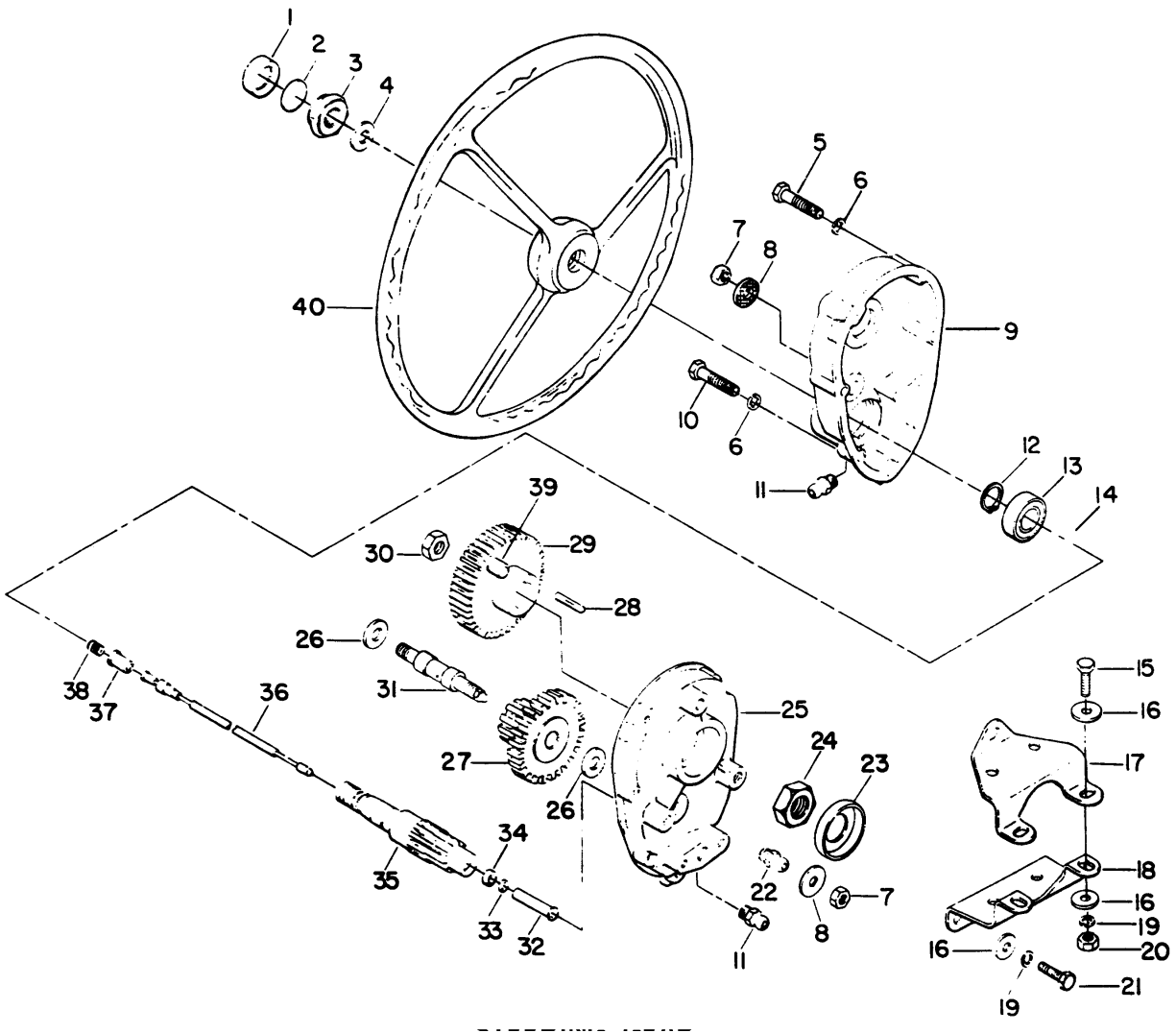
STARTER-MOTOR (PRESTOLITE)

STARTER-MOTOR (PRESTOLITE)

#	PART #	DESCRIPTION	QTY	NOTE
	110905		1	
	110931		1	
	110940		1	
	110941		1	
	110942		1	
1	309858	Screw, socket hd.	4	
2	110947		1	
3	110948		1	
4	110938		1	
5	110943		1	
6			1	
7			1	
8			1	
9		. Pole shoe	4	
10	110934		1	
11		. Stud, terminal	1	
12	110933		1	
13	110935		1	
14	110932		1	
15	110936		1	
16	306325	Lockwasher, 5/16	2	
17	306390	NUT, JAM	2	
18	110949		1	
19			1	
20			1	
21	110939		1	
22	110944	Head, commutator end	1	
23	110937	. Felt	1	
24			1	
25	110945		4	
26	550757	Lockwasher	4	
27	309798		4	
28	110946		1	
29	306904	SCREW	1	
30	309859	Nut, square	1	
31	120177	Lockwasher, 3/8	3	
32	306414	Screw, 3/8-16 X 1" Hex Head	3	

STARTER-MOTOR (PRESTOLITE)

STEERING GEAR



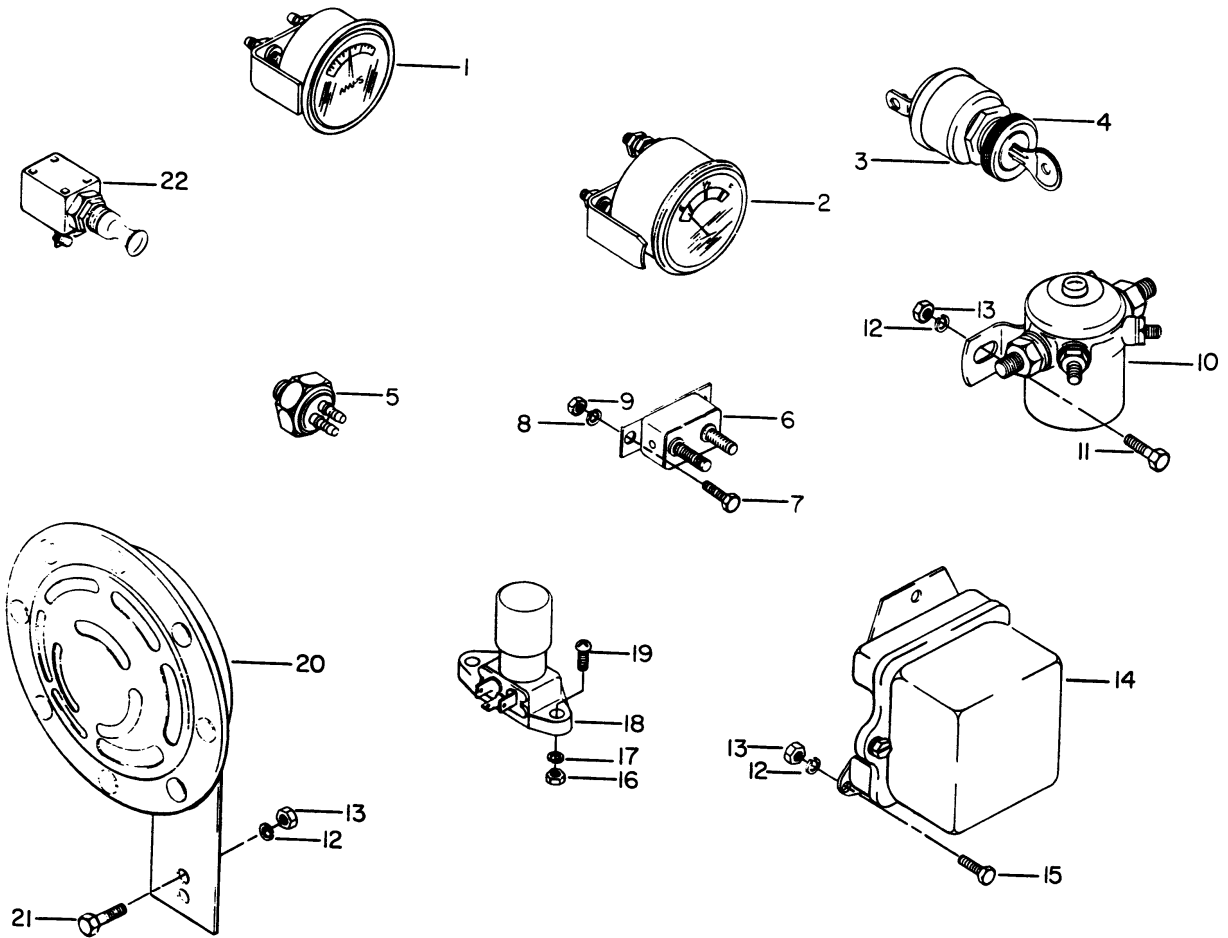
STEERING GEAR

STEERING GEAR

#	PART #	DESCRIPTION	QTY	NOTE
1	816654	HORN BUTTON	1	
2	816653	PLATE, CONTACT	1	
3	816652	NUT,STEERING WHEEL (PLATED)	1	
4	311496	WASHER,.62 1.75.13 (KC)	1	
5	306832	Screw, 1/4-20 X 2 YS Hex G5	4	
6	306396	Lockwasher, 1/4	7	
7	304364	NUT,.44-14 YS HEX (KEG KC)	2	
8	816449	WASHER,.44 1.12.13 YS FLAT(PL	2	
9	816661	HOUSING, STEERING GEAR	1	
10	302030	Screw, 1/4-20 x 1-1/4 in.	3	
11	821650	FITTING	2	
12	816455	RING,RETNING EXT.691 DIA (KC)	1	
13	816456	BRG,BALL1630,.75 1.62.50 "DS"	1	
14	816447	RING,RETNING INT 1.809 DIA(KC)	1	
15	306835	Screw, 3/8-16 x 1-1/4 in. Hex Head	2	
16	306981	Flat Washer, 3/8	8	
17	816674	SUPPORT	1	
18	816675	SUPPORT	1	
19	120177	Lockwasher, 3/8	7	
20	3116552	Nut 3/8	4	
21	306414	Screw, 3/8-16 X 1" Hex Head	3	
22	821650	FITTING	2	
23	809255	RETAINER	1	
24	305134	Nut, 7/8-14 Hex Jam	1	
25	816662	HOUSING,LOWER STRG	1	
26	816446	Washer, Flat	2	
27	816448	GEAR, IDLER	1	
28	816659	KEY,.15SQ X 1.25LG PS (KC)	1	
29	881199	GEAR AY	1	
30	130#1	Nut, 1/2	1	
31	880435		1	
32	816655		1	
33	816657		1	
34	816656		1	
35	816660	SHAFT, PINION GEAR	1	
36	880365	WIRE & CONNECTOR AY	1	
37	816650		1	
38	816651	SPRING,COMPRESSION	1	
39	310546	PIN,ROLL.500 1.500 CARB.STL(KC	1	
40	807605		1	

STEERING GEAR

SWITCHES



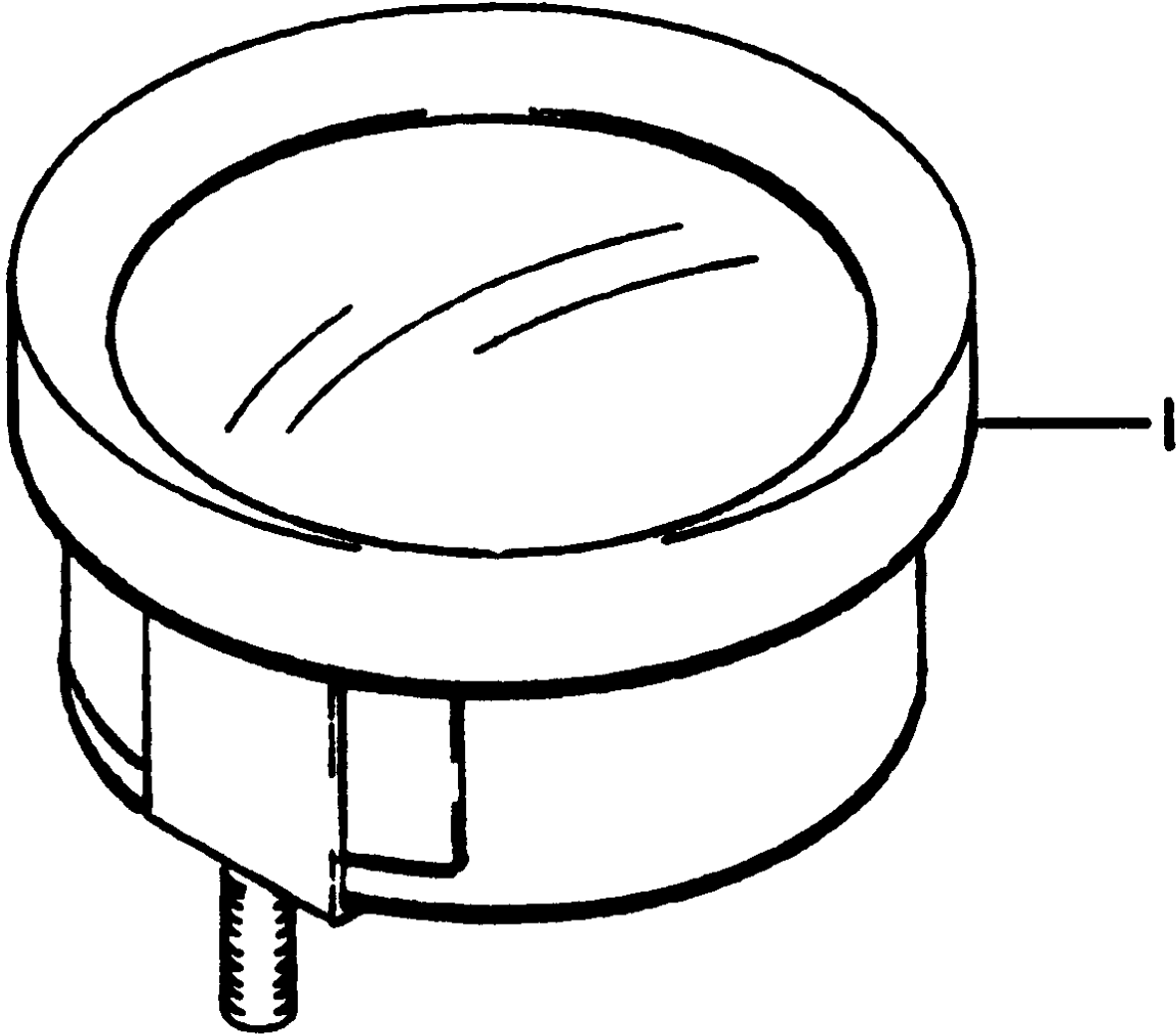
SWITCHES

SWITCHES

#	PART #	DESCRIPTION	QTY	NOTE
1	816874		1	
2	814430	GAGE,FUEL	1	
3	817321		1	
4	817333	IGN W/KEYS TUMBLER	1	
5	806825	SWITCH,STOPLIGHT	1	
6	806807	CIRCUIT BREAKER,20 AMP	1	
7	800178	SCRW,#8-32.50 YS PR G2 (KC)	2	
8	120122	LOCKWASHER, #8.03 YS SPRING	2	
9	133079	NUT,#8-32 YS HX (KC)	2	
10	813839	SOLENOID, 12 VOLT	1	
11	306487	SCREW, 1/4 - 20 X 5/8 YS HX G5	2	
12	306396	Lockwasher, 1/4	7	
13	306375	Nut, 1/4-20 Hex	7	
14	816865	Regulator (42 amp alternator)	1	
15	800026	Screw, 1/4-20 x 3/4" Pan Head	3	
16	306531	Nut, #10-24 Hex	2	
17	120052	Lockwasher, #10	2	
18	817309	SWITCH,DIMMER	1	
19	800215	SCRW,#10-24.625 YS PR G5 (KC)	2	
20	817319	HORN (507)	1	
21	300646	Screw, 1/4-20 x 3/4" Hex Head	2	
22	817310	SWITCH	1	

SWITCHES

TACHOMETER



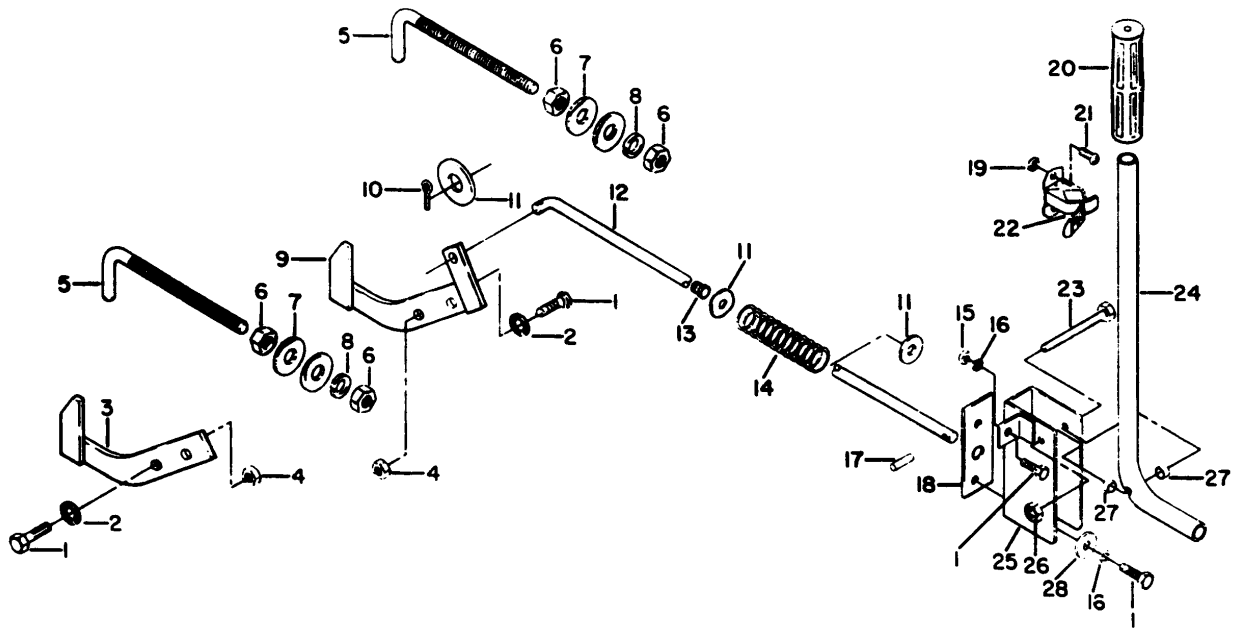
TACHOMETER

TACHOMETER

#	PART #	DESCRIPTION	QTY	NOTE
1	882958	Tachometer	1	

TACHOMETER

TAILGATE RELEASE



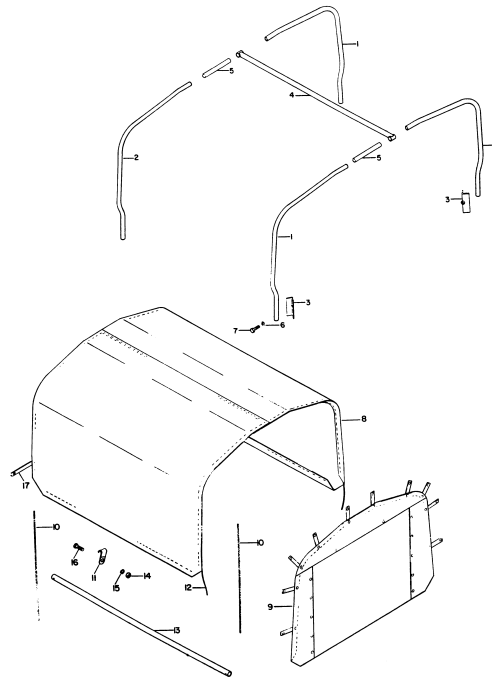
TAILGATE RELEASE

TAILGATE RELEASE

#	PART #	DESCRIPTION	QTY	NOTE
1	306450	Screw, 5/16-18 x 3/4 in. Hex Head	6	
2	304202	LOCKWASHER, .31 ZS SHKPRF INT (KC)	4	
3	881943		1	
4	302103	NUT, .31-18 YS HEX JAM	4	
5	820388	Stop, Tailgate	2	
6	304364	NUT,.44-14 YS HEX (KEG KC)	4	
7	306982	Flat Washer, 7/16	4	
8	303269	Lockwasher, 7/16	2	
9	881844	SIDE AY, TAILGATE	1	
10	306328	Cotter Pin, 3/32 x 3/4"	2	
11	306981	Flat Washer, 3/8	3	
12	821290		1	
13	820316	BUSHING	1	
14	820435	LATCH SPRING	1	
15	306932	Nut, 5/16-18 Hex	2	
16	306325	Lockwasher, 5/16	2	
17	311866	PIN,ROLL.125 1.00 PS (KC)	1	
18	882175	RELEASE MTG. PLT. AY BLK	1	
19	800053	Nut, #10-24 Hex Centerlock	2	
20	807472	GRIP,HANDLE	1	
21	130255	SCRW,#10-24.3125 YS RS (KC)	2	
22	821304	HANDLE HOLDER	1	
23	130167	SCRW,.31-18 2.25 YS HX G5	1	
24	821157	HANDLE, TAILGATE RELEASE	1	
25	882177		1	
26	800290	NUT,.31-18 YS HX CENTERLOCK KEG KC	1	
27	816612	SPACER,PARKING BRAKE	2	
28	103867	Flat Washer, 5/16	2	

TAILGATE RELEASE

TARP & BOW SET



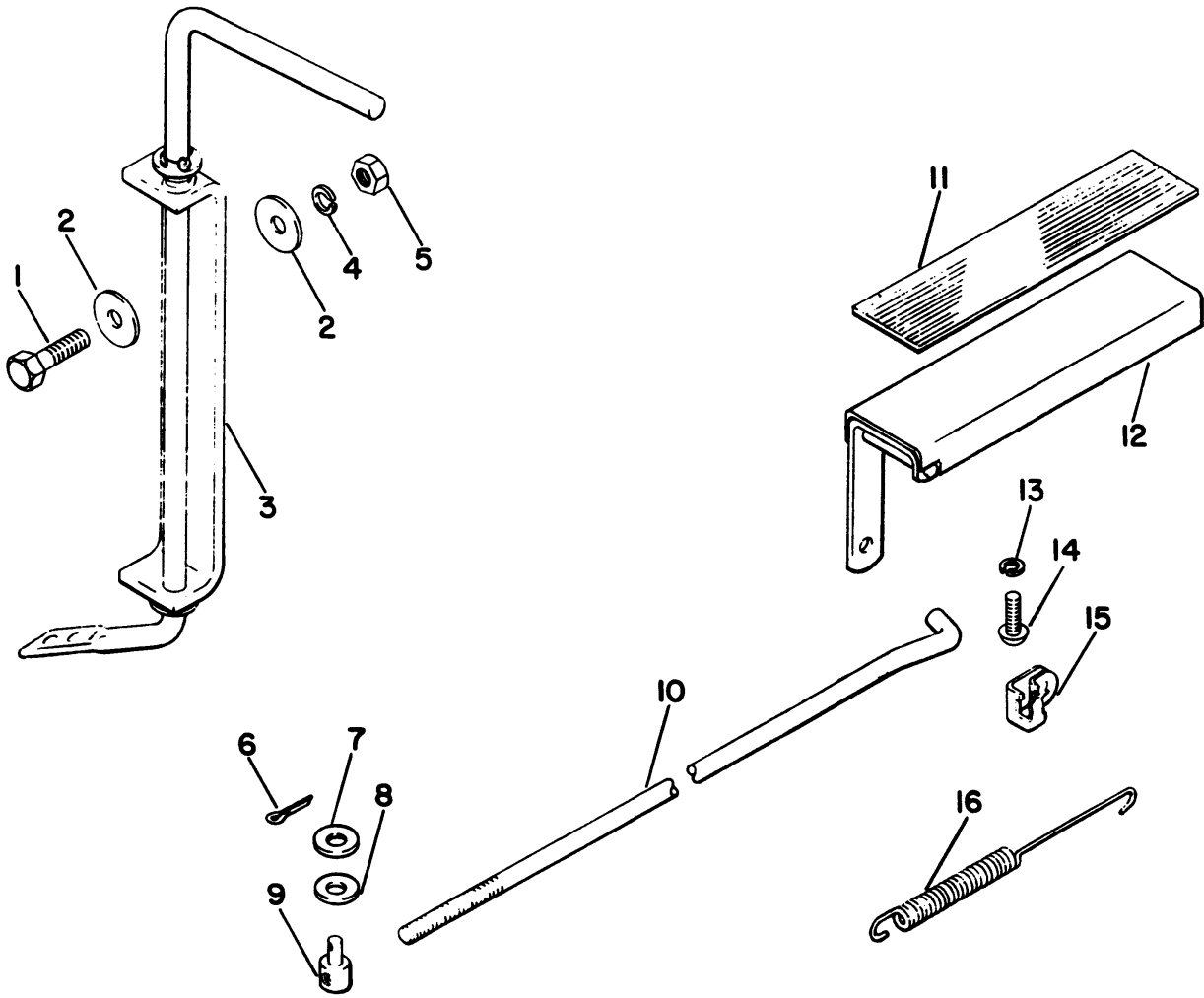
TARP & BOW SET

TARP & BOW SET

#	PART #	DESCRIPTION	QTY	NOTE
1	806513	BOW, half	2	
2	806512	BOW, half	2	
3	876650	Clamp	4	
4	878580	Pole assembly, ridge	1	
5	805265	Sleeve, bow	2	
6	103867	Flat Washer, 5/16	4	
7	306423	Screw, 5/16-18 x 1-3/4 in. Hex Head	4	
8	878581	Tarp assembly, top & front	1	
9	876782		1	
10	809731	Rope, tarp	4	
11	809089	Hook	4	
12	809730	Rope, tarp	1	
13	812447	Rail, side tarp	2	
14	306932	Nut, 5/16-18 Hex	2	
15	306325	Lockwasher, 5/16	2	
16	306555	Screw, 5/16-18 x 5/8 in. Hex Head	2	
17	812796	Rail, front tarp	1	

TARP & BOW SET

THROTTLE



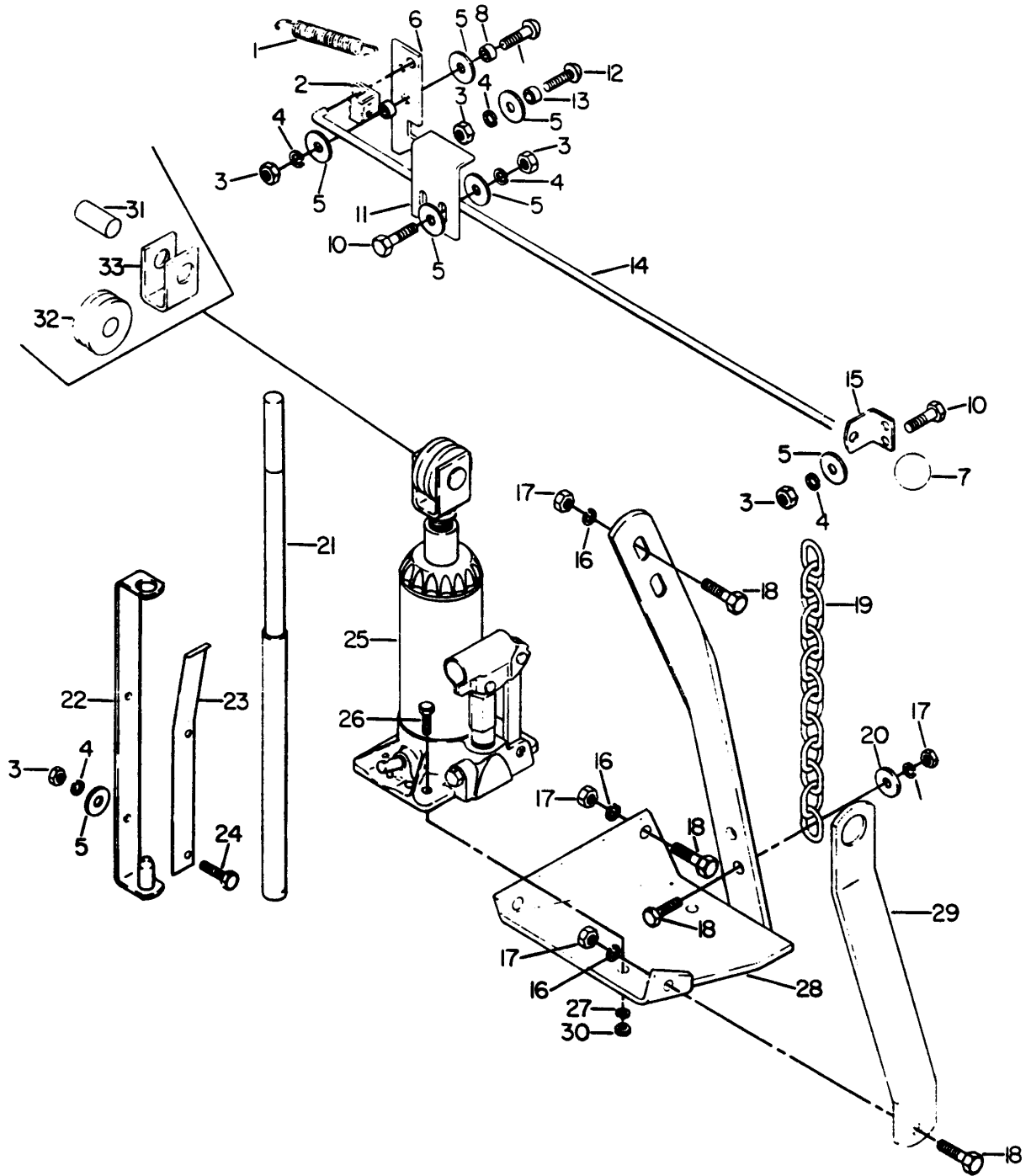
THROTTLE

THROTTLE

#	PART #	DESCRIPTION	QTY	NOTE
1	306416	Screw, 5/16-18 x 7/8 in. Hex Head	2	
2	103867	Flat Washer, 5/16	4	
3	160834		1	
4	306325	Lockwasher, 5/16	2	
5	306932	Nut, 5/16-18 Hex	2	
6	306328	Cotter Pin, 3/32 x 3/4"	1	
7	308090	Flat Washer, 1/4	1	
8	800303	WSHR, 25.45.093 SPS SPRNG KC	1	
9	817117	Pin, Connector	1	
10	817302	THROTTLE ROD BLK	1	
11	813884		1	
12	880682	PEDAL AY, PIVOT & BLK	1	
13	120052	Lockwasher, #10	2	
14	800271	Screw, #10-24 x 1/2" Pan Head	2	
15	817303	CLIP	1	
16	817103	SPRING, EXTENSION	1	

THROTTLE

TILT CONTROLS (HYDRAULIC)



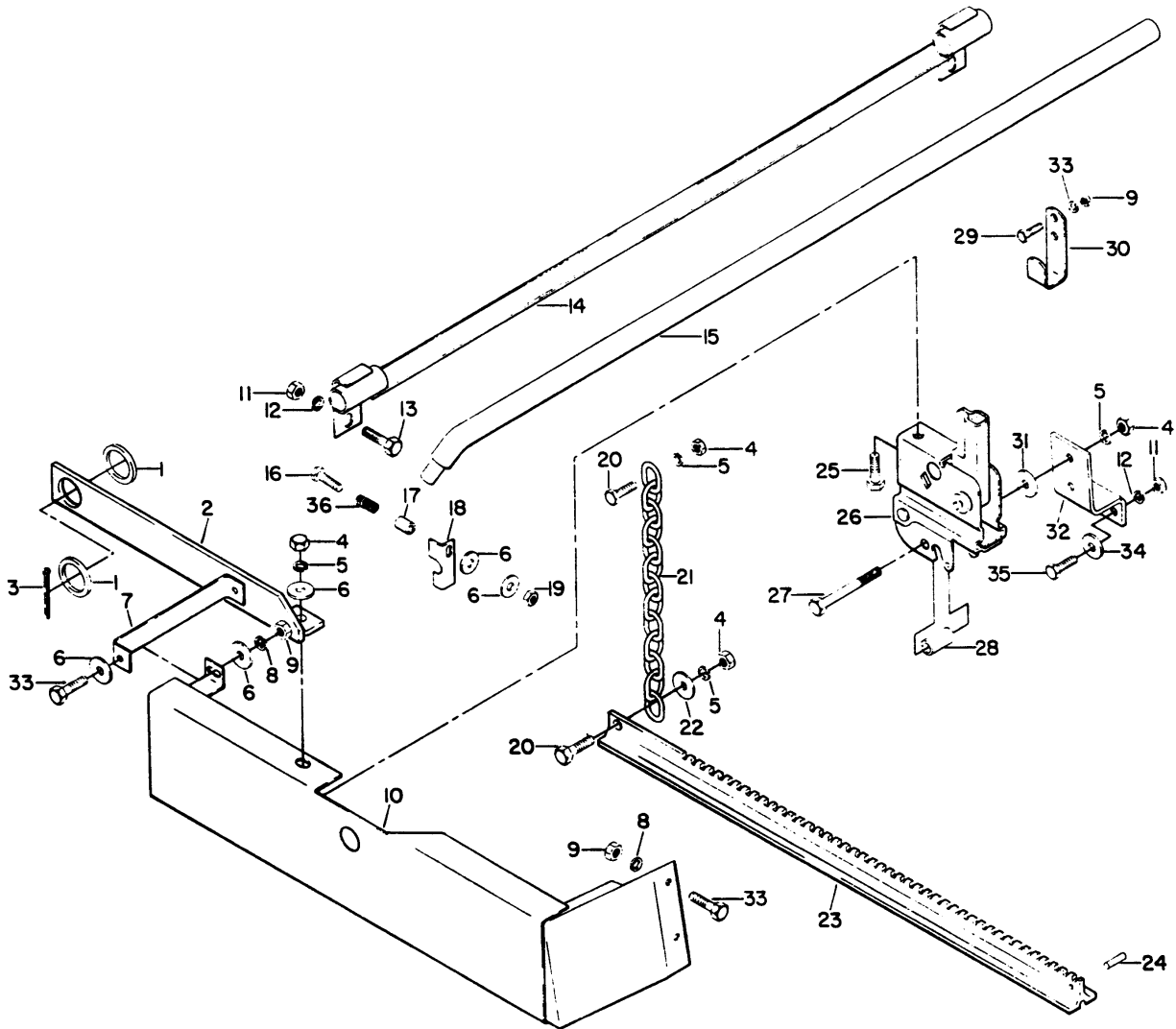
TILT CONTROLS (HYDRAULIC)

TILT CONTROLS (HYDRAULIC)

#	PART #	DESCRIPTION	QTY	NOTE
1	817119	Spring, Extension	1	
2	817303	CLIP	1	
3	306375	Nut, 1/4-20 Hex	11	
4	306396	Lockwasher, 1/4	8	
5	308090	Flat Washer, 1/4	9	
6	821615	Latch	1	
7	812997	KNOB	1	
8	805245	Bushing	2	
9	800017	Screw, 1/4-20 x 1" Pan Head	1	
10	800277	SCRW, .25-20.63 YS PR G5	4	
11	821618	Latch, box	1	
12	800263	Screw, 1/4-20 x 1-3/4" Pan Head	1	
13	810379	BSHG, .26 .38 .88 PS	1	
14	821616	Rod, latch	1	
15	821617	BRACKET	1	
16	120177	Lockwasher, 3/8	6	
17	306562	Nut, 3/8-16 Hex	6	
18	306414	Screw, 3/8-16 X 1" Hex Head	6	
19	821621	Chain	1	
20	306981	Flat Washer, 3/8	1	
21	882349		1	
22	882346		1	
23	822220	Bracket, holder	1	
24	300646	Screw, 1/4-20 x 3/4" Hex Head	2	
25	882350	Jack	1	
26	306416	Screw, 5/16-18 x 7/8 in. Hex Head	2	
27	306325	Lockwasher, 5/16	2	
28	882332		1	
29	821503	Support	1	
30	306932	Nut, 5/16-18 Hex	2	
31	821614		1	
32	821612		1	
33	821613	Yoke	1	

TILT CONTROLS (HYDRAULIC)

TILT CONTROLS (Ratchet)



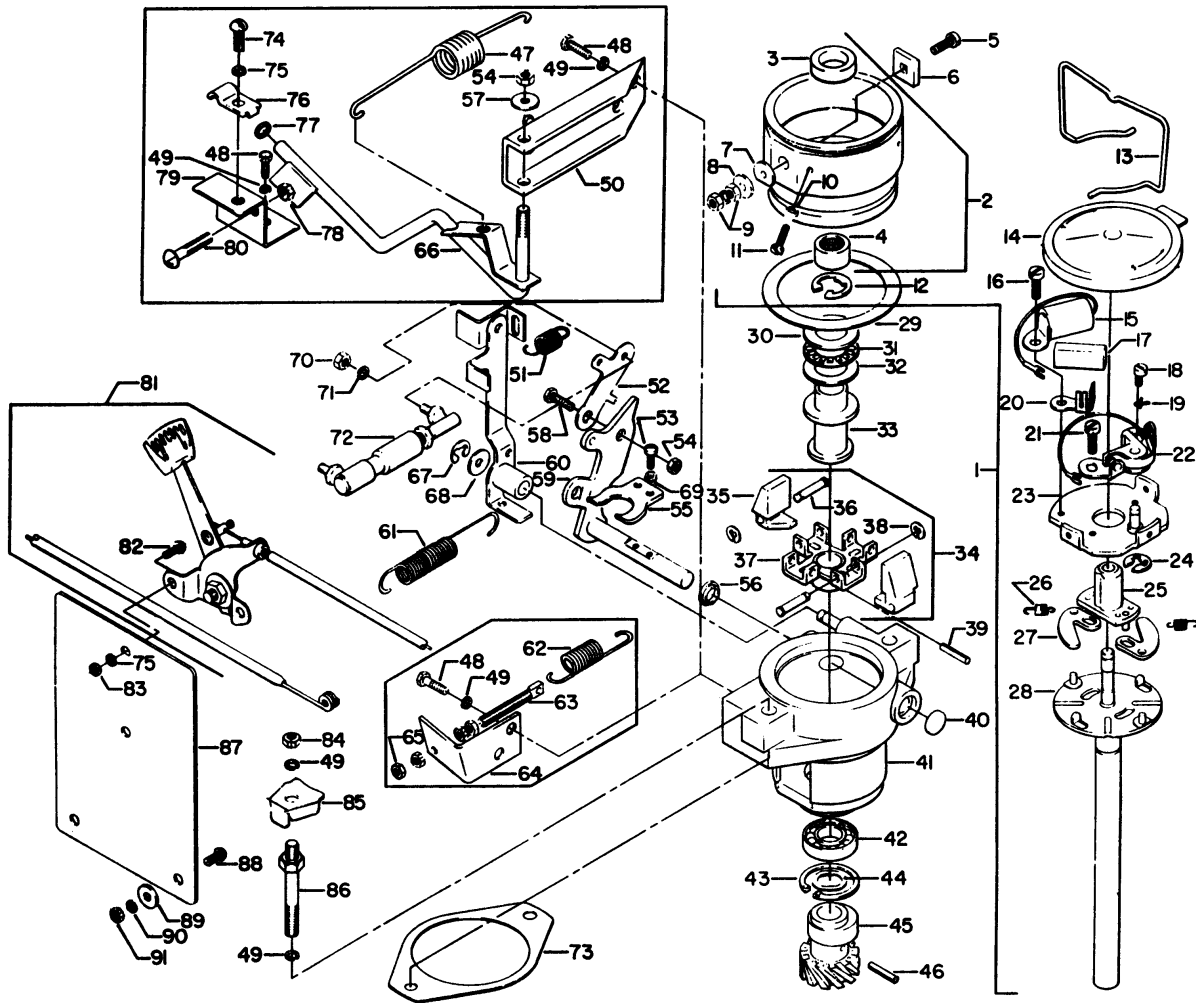
TILT CONTROLS (Ratchet)

TILT CONTROLS (Ratchet)

#	PART #	DESCRIPTION	QTY	NOTE
1	820484	WASHER, FLAT 1.17 1.75 .134	2	
2	881982	Brace	1	
3	304638		1	
4	306562	Nut, 3/8-16 Hex	4	
5	120177	Lockwasher, 3/8	4	
6	308090	Flat Washer, 1/4	3	
7	821284	Support, jack guard	1	
8	306396	Lockwasher, 1/4	7	
9	306375	Nut, 1/4-20 Hex	7	
10	881947	Guard	1	
11	306932	Nut, 5/16-18 Hex	4	
12	306325	Lockwasher, 5/16	4	
13	306450	Screw, 5/16-18 x 3/4 in. Hex Head	2	
14	881955	Tube, handle storage	1	
15	881969	Handle	1	
16	303459	SCRW.,25-20 1.5 YS HX G5 (KC)	1	
17	819647	SPACER	1	
18	820637	Catch, jack handle	1	
19	800059	Nut, 1/4-20 Hex Centerlock	1	
20	302600	SCRW.,38-16 1.50 YS HX G5 (KC)-USE 40026	2	
21	820441	Chain	1	
22	306981	Flat Washer, 3/8	1	
23	820510	Bar, jack	1	
24	315630	Pin, roll	1	
25	306414	Screw, 3/8-16 X 1" Hex Head	1	
26	881984	Jack	1	
27	301431	Screw, 3/8-16 x 2-1/2 in. Flange	1	
28	820433	Bushing	1	
29	306419	Screw, 1/4-20 x 1/2 in. Hex Head	2	
30	820526	Saddle, jack handle	1	
31	604174	Flat Washer, 3/8 in.	1	
32	820968	BRACKET	1	
33	300646	Screw, 1/4-20 x 3/4" Hex Head	6	
34	103867	Flat Washer, 5/16	2	
35	306416	Screw, 5/16-18 x 7/8 in. Hex Head	2	
36	817446	SPRING	1	

TILT CONTROLS (Ratchet)

TIMER AND GOVERNOR



TIMER AND GOVERNOR

TIMER AND GOVERNOR

#	PART #	DESCRIPTION	QTY	NOTE
	161903	TIMER & GOVERNOR AY	1	
	161904	TIMER & GOVERNOR AY	1	
	16041	Carrier, w/2 weights	1	
1	161902	TIMER AY	1	
2	580433	HOUSING AY	1	
3	510499	SEAL	1	
4	510505	BEARING, NEEDLE	1	
5	510530	SCRW, TERMINAL #6-32.81 ZB	1	
6	510479	INSULATING BLOCK	1	
7	510598	BUSHING,INSULATING	1	
8	121038	WASHER,.16.38.03 PB FLAT	1	
9	306510	NUT,#6-32 PB HX	2	
10	306506	Lockwasher, #6	5	
11	307136	Screw, #6-32 x 5/16"	3	
12	510487	RING,RETAINING	1	
13	510543		1	
14	580427	COVER AY, DUST	1	
15	510613	CONDENSER	1	
16	510490	SCRW,#10-32.25 ZS PS SEMS	1	
17	510189		1	
18	510185	SCRW, ECCENTRIC #6-32.22 ZS	1	
19	307594	CLIP,SPRING	1	
20	510480	CLIP,OILER	1	
21	308120	SCRW,#10-32.25 YS PS G5	1	
22	580394	BREAKER AY	1	
23	580485	BASE & POST AY	1	
24	202139	RING	1	
25	580518	CAM & PIN AY	1	
26	510631	SPRING, EXTENSION	2	
27	510590	WEIGHT, TIMER	2	
28	580472		1	
29	111769	GASKET	1	
30	111814	Washer, Thrust	1	
31	111815		1	
32	111816	Washer, Thrust	1	
33	111817	Spool, Governor	1	
34	160410	Carrier & Weights	1	
35	111819		1	
36	111820	PIN-GOV WEIGHT	1	
37	111818		1	
38	111821	RING, RETAINING	1	
39	306966	PIN,RL.125.750 CARBN STL KC	1	
40	202310	PLUG,EXPANSION	1	
41	160423	HOUSING & PIN AY	1	
42	111822	BRG,BALL.50 1.12.25 "OP"	1	
43	111823	RING, INTERNAL RETAINING	1	

TIMER AND GOVERNOR

TIMER AND GOVERNOR

#	PART #	DESCRIPTION	QTY	NOTE
44	111770	WASHER,.50.69.09 SPS WAVE	1	
45	111755	GEAR, DRIVEN	1	
46	603501	PIN,SPIROL.12.75 PS (KC)	2	
47	110700	SPRING, EXTENSION	1	
48	306487	SCREW, 1/4 - 20 X 5/8 YS HX G5	2	
49	306396	Lockwasher, 1/4	6	
50	160766	BRACKET & PIN AY (PLATED)	1	
51	111892		1	
52	111891	LEVER, AUXILIARY	1	
53	306915	Screw, #6-32 x 5/16 in. Machine	2	
54	800048	NUT,TPLOCK.25-28 YS GR A HEXKC	1	
55	111812	Yoke, Spool	1	
56	111813	Seal, Shaft	1	
57	308090	Flat Washer, 1/4	1	
58	300977	Screw, 1/4-28 x 5/8 in. Hex Head	1	
59	160409	LEVER & SHAFT AY (PLATED)	1	
60	160836	ARM AY	1	
61	110895	SPRING	1	
62	111907	SPRING	1	
63	111893	Screw, #10-32 Special	1	
64	111926	BRACKET (PLATED)	1	
65	132520	Nut, #10-32 Hex	4	
66	160767	LEVER & SUPPORT AY	1	
67	111939	RING,RETAINING	1	
68	120590	WASHER, .25.62.03 YS FLAT	1	
69	306506	Lockwasher, #6	5	
70	133079	NUT,#8-32 YS HX (KC)	2	
71	306991	LWSHR,#8 ZS SHKPRF EXT (KC)	2	
72	112048	OVERTRAVEL, BALL LINK	1	
73	111771	GASKET	1	
74	306514	Screw, #10-24 X 1/2 YS RS G5	1	
75	120052	Lockwasher, #10	3	
76	111898	Clamp, Cable	1	
77	809258	RING,RETG SNAP	1	
78	130728	Nut, 1/4-20 Hex Jam	1	
79	160847	BRACKET AY	1	
80	306001	SCREW, ROUND HEAD MACHINE	1	
81	816066	GOV LEVER CONTROL	1	
82	800271	Screw, #10-24 x 1/2" Pan Head	2	
83	306531	Nut, #10-24 Hex	2	
84	306397	Nut, 1/4-28 Hex	2	
85	111768	CLAMP, TIMER	2	
86	111824	STUD	1	
87	817490	GOV CON MTG BRKT	1	
88	800019	SCREW,.25-20.50 YS PR G5	1	
89	308090	Flat Washer, 1/4	1	

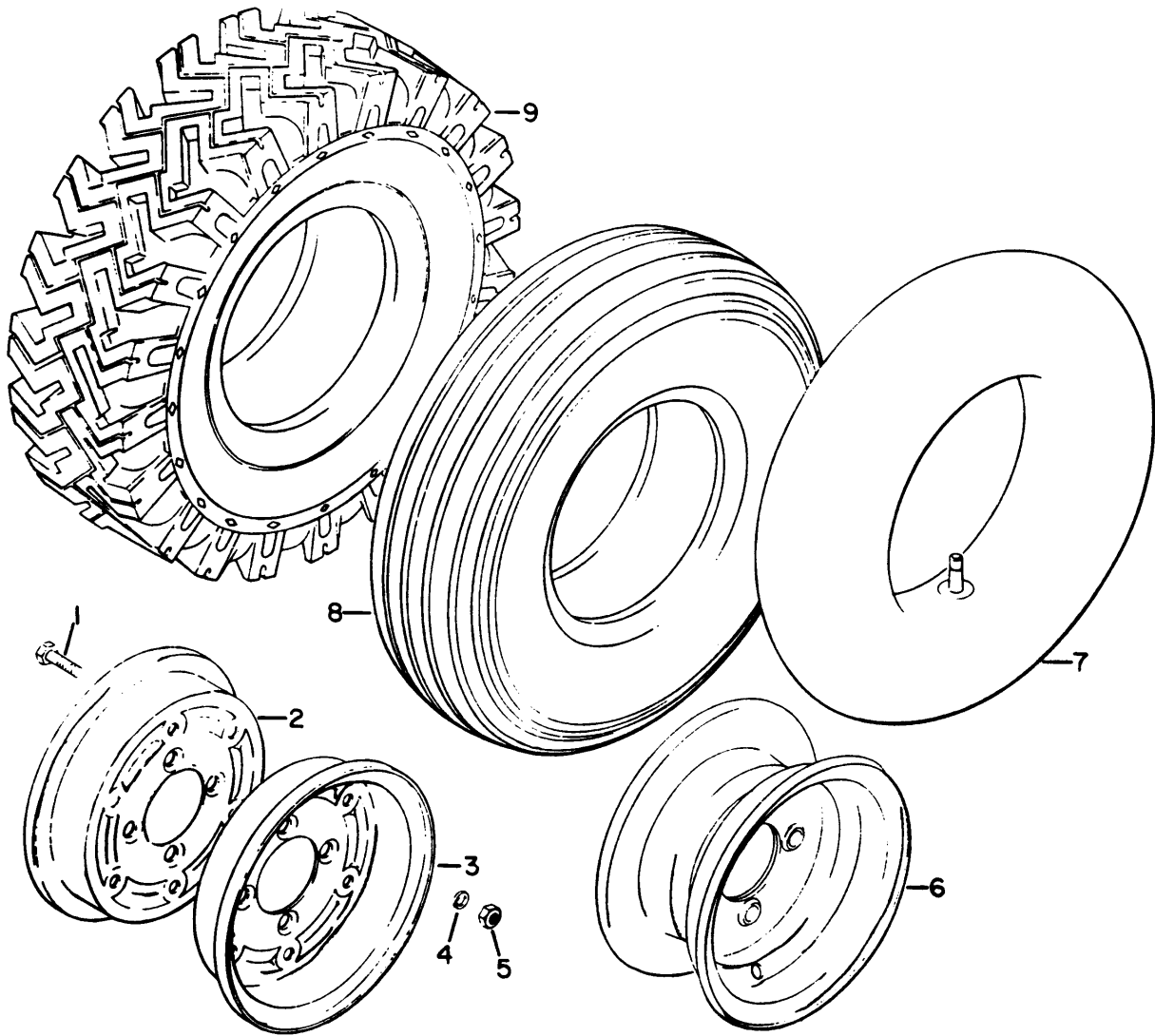
TIMER AND GOVERNOR

TIMER AND GOVERNOR

#	PART #	DESCRIPTION	QTY	NOTE
90	306396	Lockwasher, 1/4	4	
91	306375	Nut, 1/4-20 Hex	1	

TIMER AND GOVERNOR

TIRES AND RIMS (5.00 x 8)



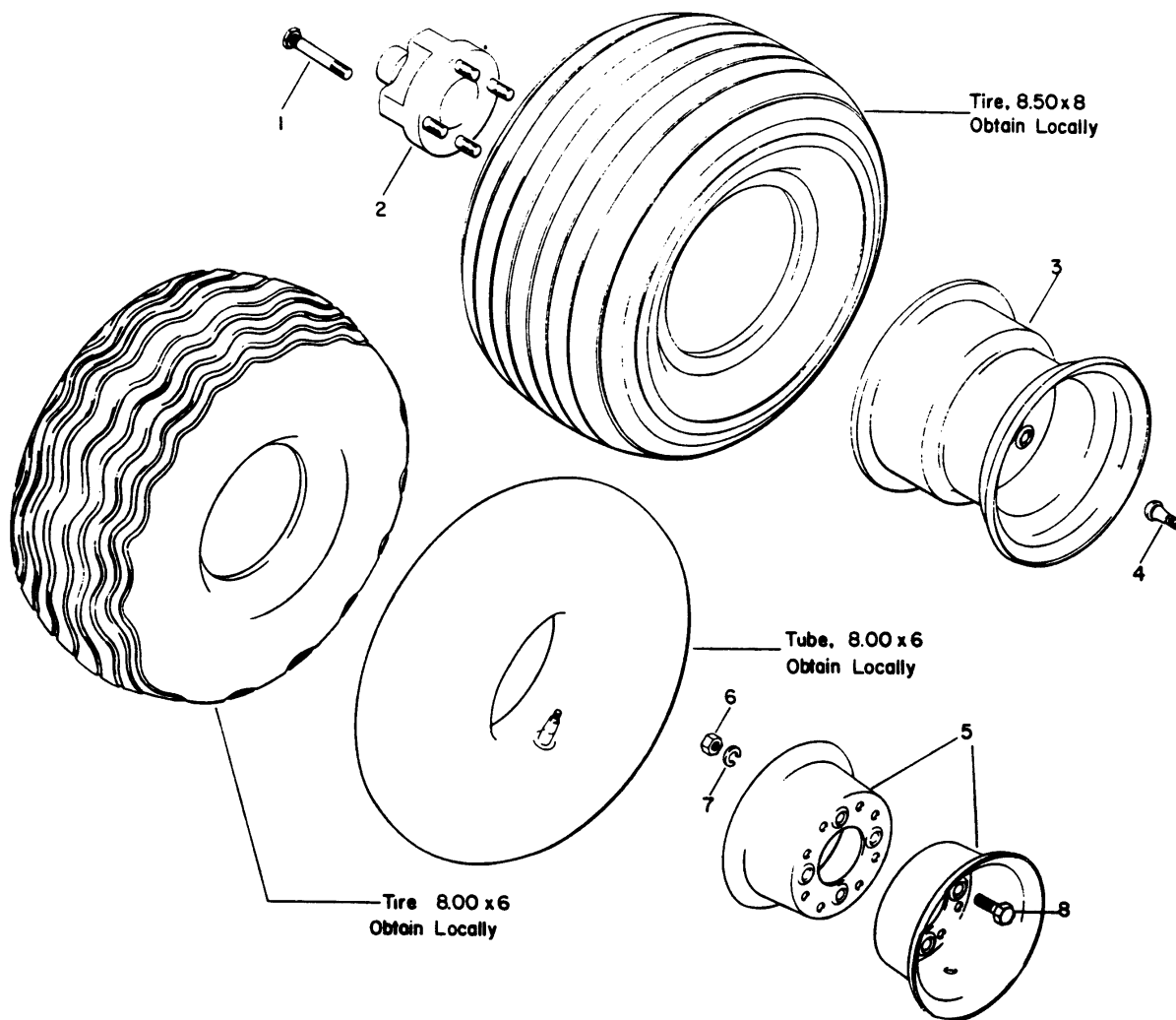
TIRES AND RIMS (5.00 x 8)

TIRES AND RIMS (5.00 x 8)

#	PART #	DESCRIPTION	QTY	NOTE
1	800385	Screw, 3/8-16 x 3/4" Hex Flange	6	
2	807279	RIM-INNER HALF BLK	1	
3	807278	RIM-OUTER HALF BLK	1	
4	120177	Lockwasher, 3/8	6	
5	306562	Nut, 3/8-16 Hex	6	
6	820312	TIRES, TUBES AND RIMS Rim, 5.00 x 8	1	
7			1	
8			1	
9			1	

TIRES AND RIMS (5.00 x 8)

TIRES, TUBES, RIMS AND REAR HUB (TURF)



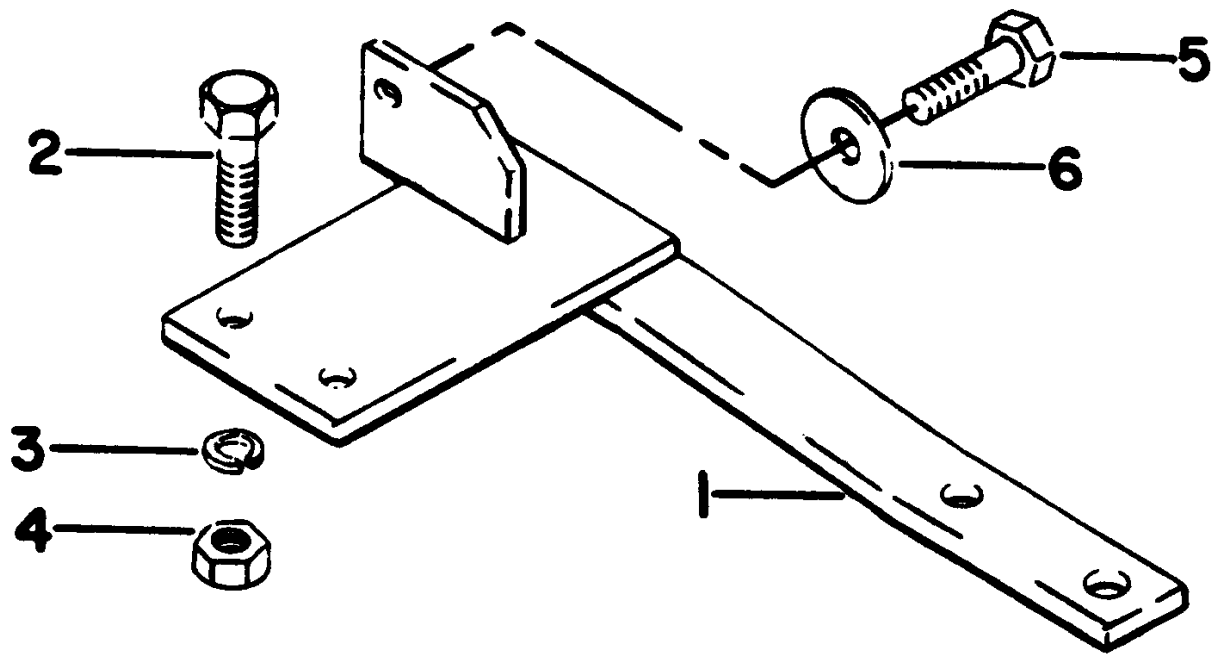
TIRES, TUBES, RIMS AND REAR HUB (TURF)

TIRES, TUBES, RIMS AND REAR HUB (TURF)

#	PART #	DESCRIPTION	QTY	NOTE
1	815838	SCRW,WHL .44-20 3.19 YS HX G5	4	
2	815839		1	
3	815474	Wheel, 8 x 7	1	
4	814687		1	
5	879535	RIM SET,8.00 X 6	1	
6	306562	Nut, 3/8-16 Hex	6	
7	120177	Lockwasher, 3/8	6	
8	800385	Screw, 3/8-16 x 3/4" Hex Flange	6	

TIRES, TUBES, RIMS AND REAR HUB (TURF)

TOW BAR



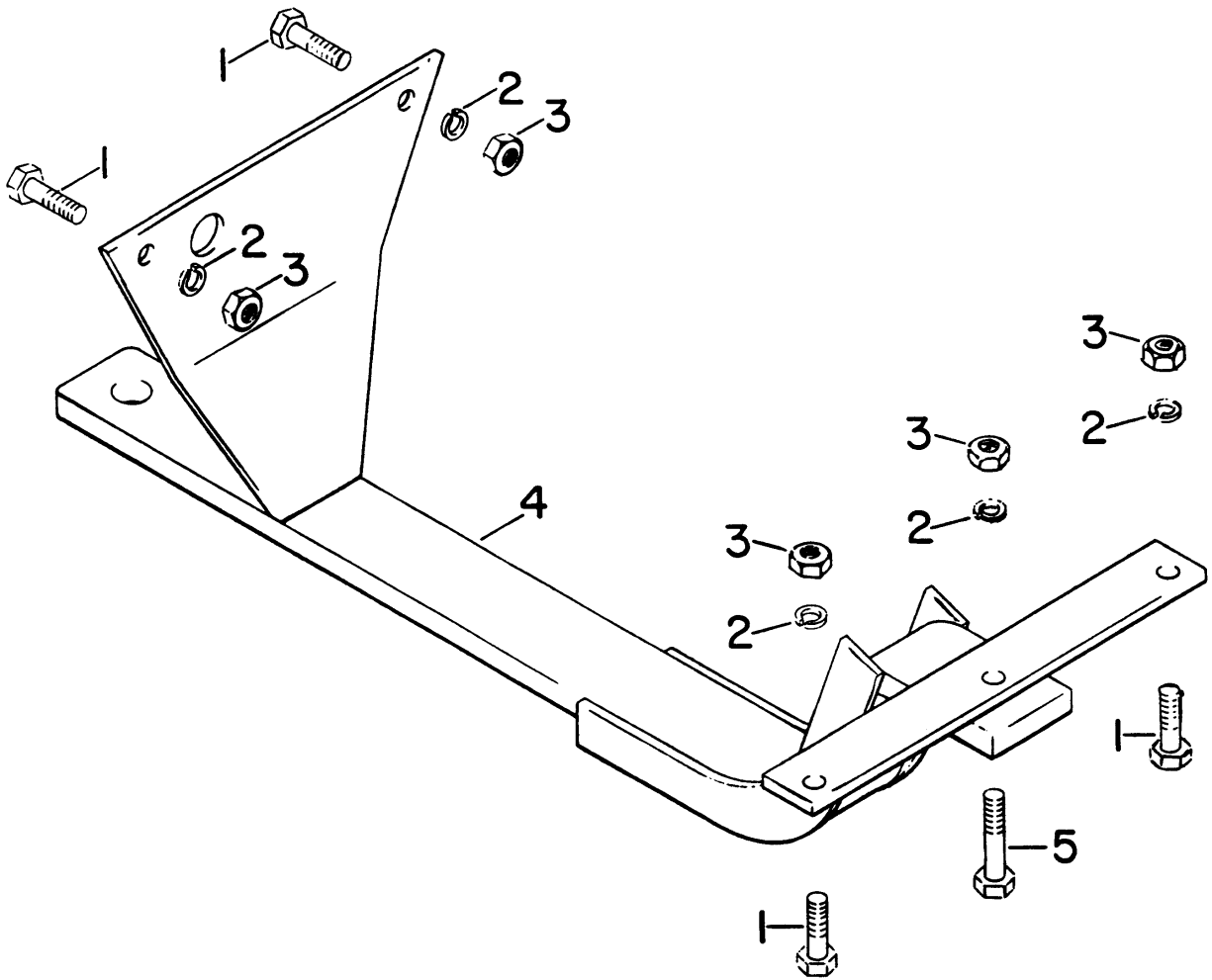
TOW BAR

TOW BAR

#	PART #	DESCRIPTION	QTY	NOTE
1	881879		1	
2	306875	SCRW, 5-20 1.50 YS HX G5 (KC)	2	
3	120166	Lockwasher, 1/2	2	
4	301988	Nut, 1/2-20 Hex	2	
5	302600	SCRW, 38-16 1.50 YS HX G5 (KC)-USE 40026	1	
6	306981	Flat Washer, 3/8	1	

TOW BAR

TRAILER HITCH



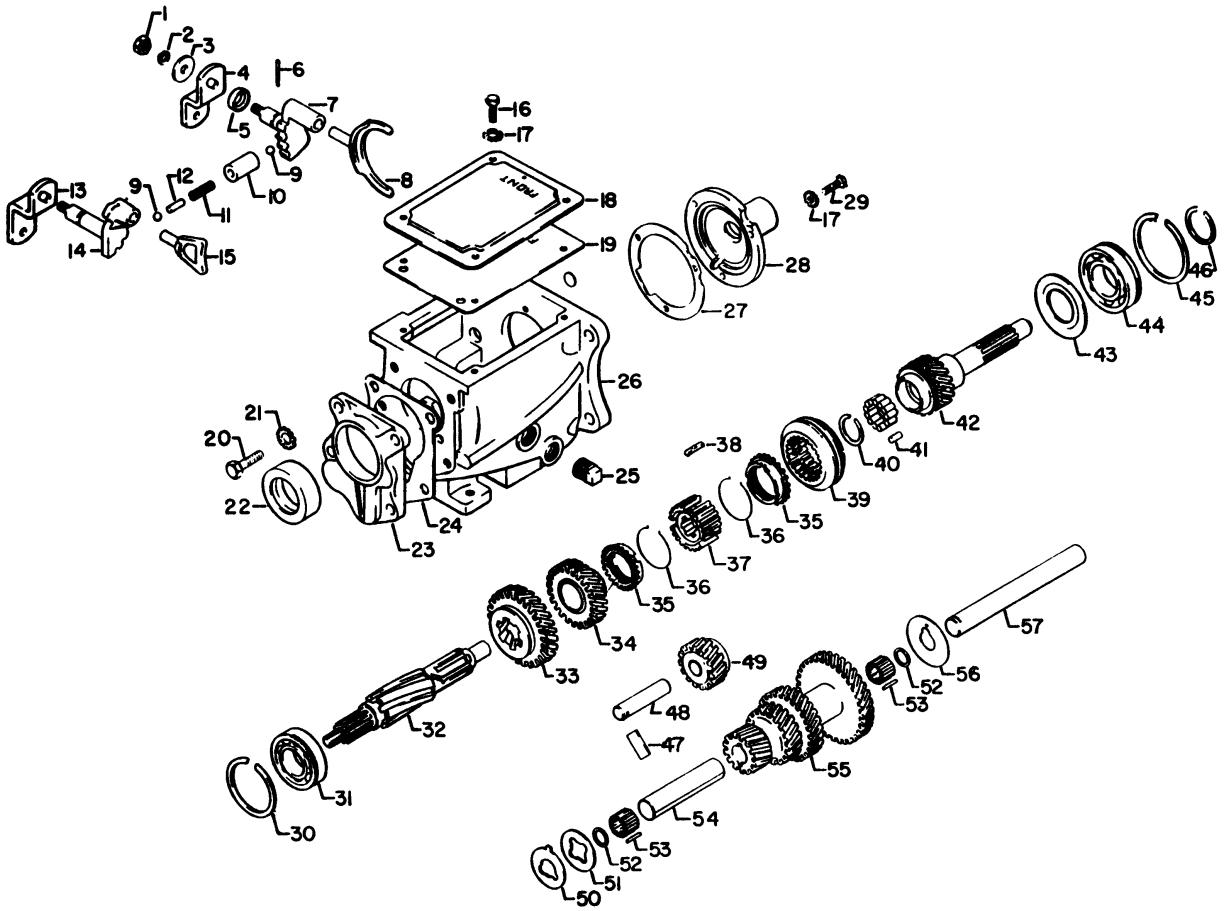
TRAILER HITCH

TRAILER HITCH

#	PART #	DESCRIPTION	QTY	NOTE
1	306414	Screw, 3/8-16 X 1" Hex Head	4	
2	120177	Lockwasher, 3/8	5	
3	306562	Nut, 3/8-16 Hex	5	
4	880653		1	
5	302600	SCRW, 3/8-16 1.50 YS HX G5 (KC)-USE 40026	1	

TRAILER HITCH

TRANSMISSION (ONE-PIECE CASE)



TRANSMISSION (ONE-PIECE CASE)

TRANSMISSION (ONE-PIECE CASE)

#	PART #	DESCRIPTION	QTY	NOTE
	812909		1	
	814613	Sleeve, 1.303 long	1	
	814646		1	
	814647		1	
	814611	Sleeve, 1.291 long	1	
	814610	Sleeve, 1.295 long	1	
	814612	Sleeve, 1.287 long	1	
1	306932	Nut, 5/16-18 Hex	2	
2	306325	Lockwasher, 5/16	2	
3	103867	Flat Washer, 5/16	2	
4	813229		1	
5	814601	Oil Seal, shifter shaft	2	
6	814614		2	
7	814602		1	
8	814606		1	
9	800131	BALL, .312 DIA CARBON STEEL	2	
10	814609	Sleeve, 1.299 long	1	
11	814608		1	
12	814615		1	
13	813230		1	
14	814603		1	
15	814607		1	
16	306555	Screw, 5/16-18 x 5/8 in. Hex Head	4	
17	306799	Lockwasher, 5/16 External Tooth	7	
18	814616		1	
19	814617		1	
20	308880	Screw 7/16-14 x 7/8 hex. hd.	4	
21	304161	WASHER, LOCK	4	
22	814653		1	
23	814651	Retainer, bearing	1	
24	814652		1	
25	800113	Plug, 1/2 NPT	2	
26	814600		1	
27	814641		1	
28	814640		1	
29	306322	Screw, 5/16-18 x 7/8 in. Hex Head	3	
30	814628	Ring, retaining	1	
31	814627	BRG,BALL 1.18 2.44.63 "SR"	1	
32	814618		1	
33	814626		1	
34	818458		1	
35	814624		2	
36	814622	Spring, synchronizer	2	
37	818457		1	
38	814621		3	
39	814620		1	

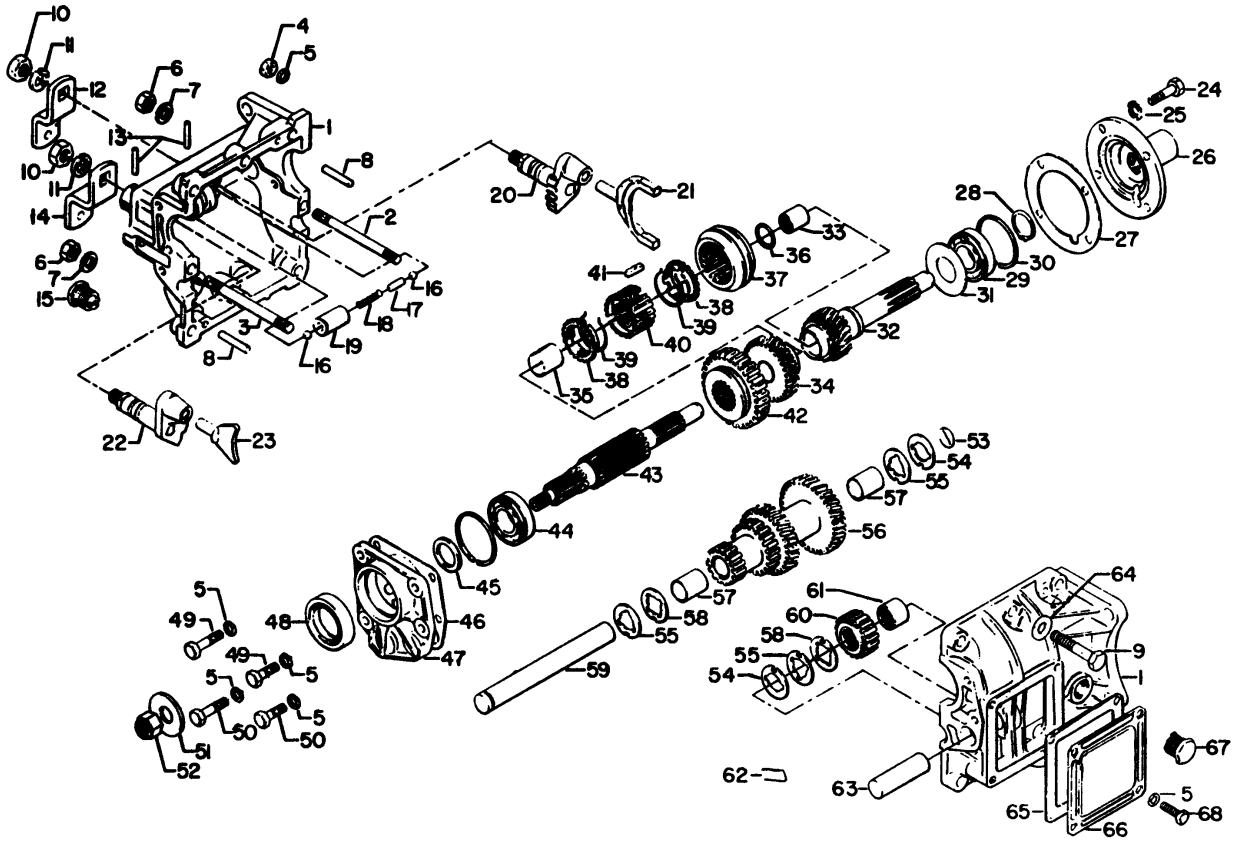
TRANSMISSION (ONE-PIECE CASE)

TRANSMISSION (ONE-PIECE CASE)

#	PART #	DESCRIPTION	QTY	NOTE
40	814625		1	
41	814649		13	
42	814642		1	
43	814648		1	
44	814643		1	
45	814644		1	
46	814645		1	
47	814638		1	
48	814637		1	
49	814639		1	
50	814635		1	
51	819044		1	
52	814631		2	
53	814634		40	
54	814630		1	
55	814629		1	
56	814632		1	
57	814636		1	

TRANSMISSION (ONE-PIECE CASE)

TRANSMISSION (TWO-PIECE CASE)



TRANSMISSION (TWO-PIECE CASE)

TRANSMISSION (TWO-PIECE CASE)

#	PART #	DESCRIPTION	QTY	NOTE
	880572	TRANSMISSION AY	1	
	815141	SLEEVE	1	
	815140	SLEEVE	1	
	815142	SLEEVE	1	
	815143	SLEEVE	1	
	822238	SLEEVE	1	
	822239	SLEEVE	1	
1	879798	CASE AY,TRANS	1	
2	815134	STUD (PLATED)	1	
3	815133	STUD (PLATED)	1	
4	306932	Nut, 5/16-18 Hex	1	
5	306325	Lockwasher, 5/16	9	
6	306562	Nut, 3/8-16 Hex	7	
7	120177	Lockwasher, 3/8	7	
8	305070	PIN,TAPER (KC)	2	
9	131794	SCRW.,38-16 2.0 ZS HX G5.CAN USE 2702117	6	
10	301988	Nut, 1/2-20 Hex	2	
11	120166	Lockwasher, 1/2	2	
12	815146	SECOND&HI CONT LVR BLK	1	
13	603102	Roll Pin, 1/8 x 3/4 in.	2	
14	815145	LOW&REV LEVER BR BLK	1	
15	111074	Plug, Fill	1	
16	800131	BALL,.312 DIA CARBON STEEL	2	
17	815137	PIN	1	
18	815138	SPRING	1	
19	815139	SLEEVE	1	
20	879800	LEVER AY, SHIFTER	1	
21	815158	FORK	1	
22	879799	LEVER AY, SHIFTER	1	
23	815157	FORK	1	
24	306322	Screw, 5/16-18 x 7/8 in. Hex Head	4	
25	815755	LOCKWASHER	4	
26	815174	RETAINER	1	
27	815173	GASKET	1	
28	809254	Ring, External Retaining	1	
29	814627	BRG,BALL 1.18 2.44.63 "SR"	1	
30	814628	Ring, retaining	1	
31	809211	WASHER,1.187 2.11.02 NS FLAT	1	
32	879804	GEAR AY,MAIN DRIVE	1	
33	815171	BEARING, NEEDLE	1	
34	879803	GEAR AY	1	
35	815163	BEARING, SLEEVE	1	
36	815169	RING,RETAINING	1	
37	815166	SLEEVE, SECOND & HIGH CLUTCH	1	
38	815164	RING, SYNCHRO	2	
39	815168	SPRING	2	

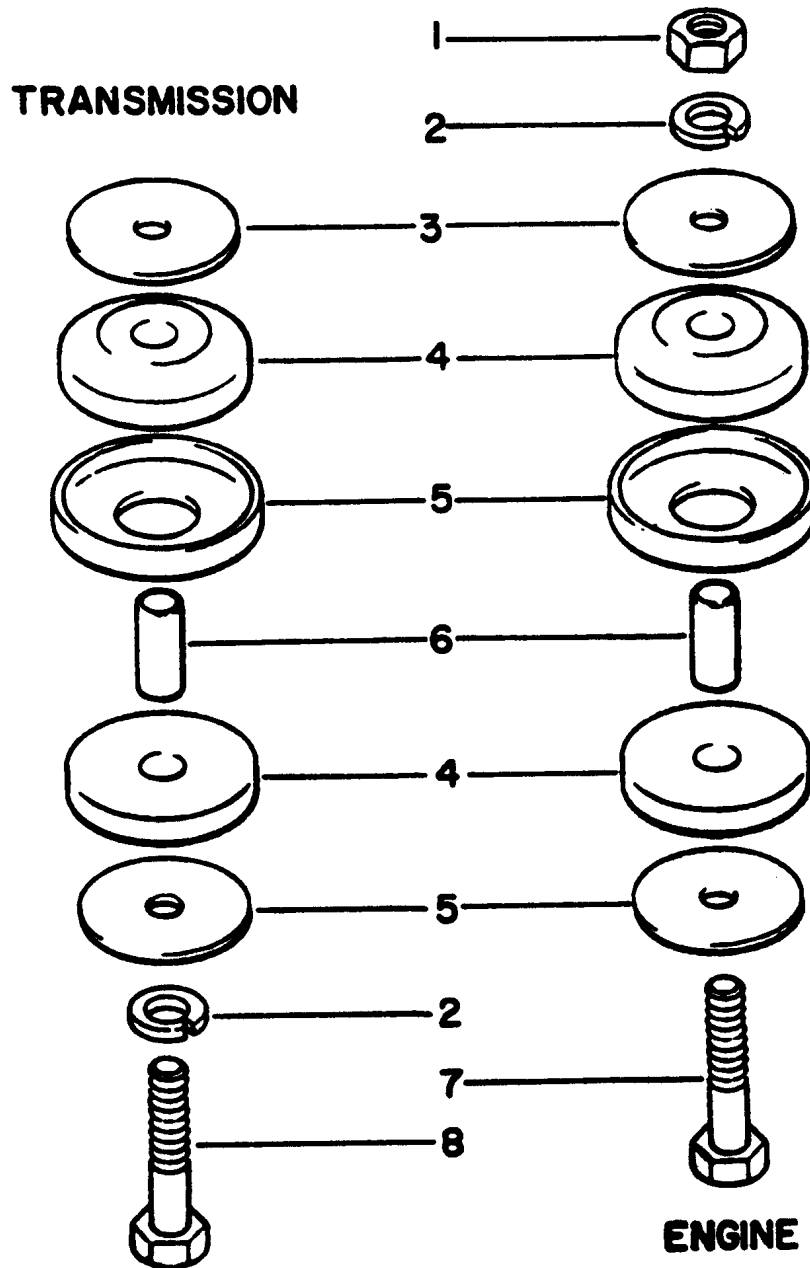
TRANSMISSION (TWO-PIECE CASE)

TRANSMISSION (TWO-PIECE CASE)

#	PART #	DESCRIPTION	QTY	NOTE
40	815165	HUB, SECOND & HIGH CLUTCH	1	
41	815167	PLATE, SHIFTING	3	
42	815161	GEAR, MAINSHAFT-LOW & REVERSE	1	
43	815159	MAIN SHAFT	1	
44	815160	BRG,BALL.98 2.05.59 "SR"	1	
45	815180	SPACER	1	
46	815175	GASKET	1	
47	815176	RETAINER	1	
48	815177	SEAL	1	
49	306416	Screw, 5/16-18 x 7/8 in. Hex Head	2	
50	306435	Screw, 5/16-18 x 1-1/4 in. Hex Head	2	
51	809180	Flat Washer, 1/2	1	
52	800198	Locknut, 1/2-20	1	
53	823544	PLUG	1	
54	815150	WASHER, THRUST	1	
55	815154	SHIM	1	
56	879802	GEAR AY, CLUSTER	1	
57	815153	BEARING, SLEEVE	2	
58	816503	WASHER, THRUST	1	
59	815155	JACKSHAFT	1	
60	879801	GEAR AY, REV IDLER	1	
61	815149	BRG,NDL.75 1.00.75 OPEN END	1	
62	815156	PLATE	1	
63	815151	SHAFT, REV IDLER	1	
64	306981	Flat Washer, 3/8	6	
65	815178	GASKET	1	
66	815179	PLATE	1	
67	111071	PLUG, OIL DRAIN	1	
68	306450	Screw, 5/16-18 x 3/4 in. Hex Head	4	

TRANSMISSION (TWO-PIECE CASE)

TRANSMISSION AND ENGINE MOUNTS

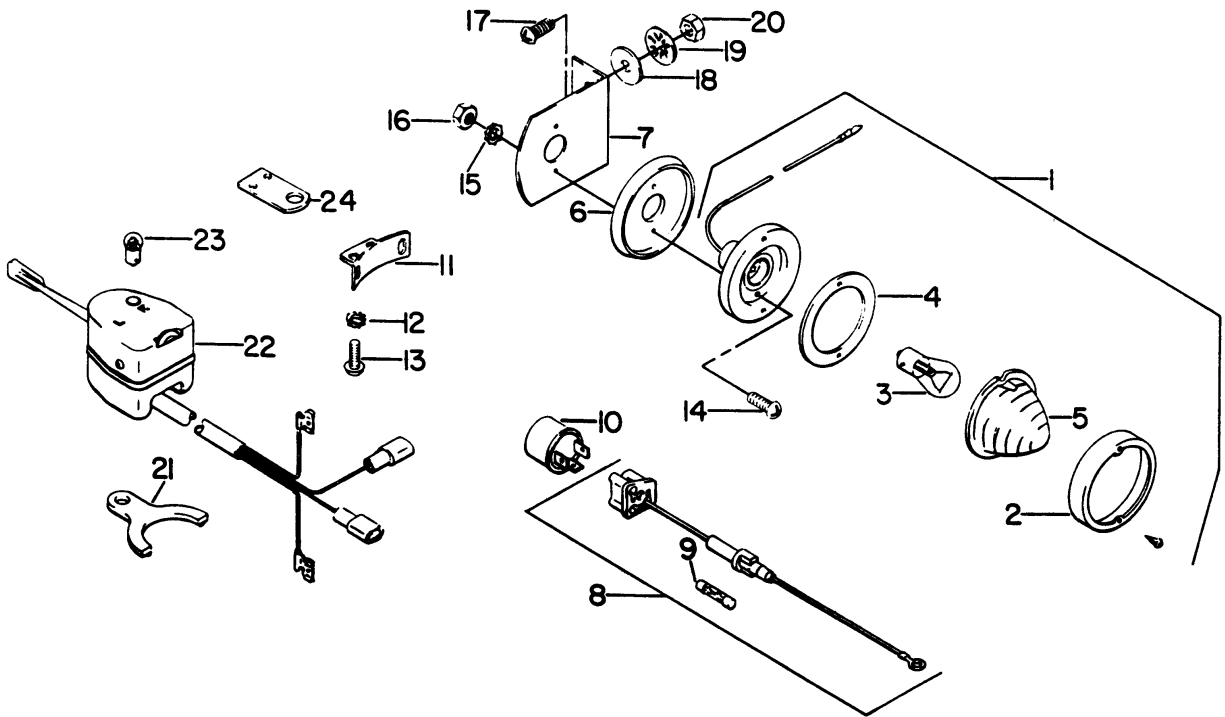


TRANSMISSION AND ENGINE MOUNTS

#	PART #	DESCRIPTION	QTY	NOTE
1	306562	Nut, 3/8-16 Hex	2	
2	120177	Lockwasher, 3/8	4	
3	809174	Flat Washer, 3/8 x 2"	8	
4	806493	MOUNT,RUBBER	8	
5	809242	RETAINER (PLATED)	4	
6	808959	Spacer	4	
7	311391	SCRW,38-16 4.00 YS HX G5 (KC)	2	
8	306836	Screw, 3/8-16 x 2-1/4 in. Hex Head	2	

TRANSMISSION AND ENGINE MOUNTS

TURN SIGNALS



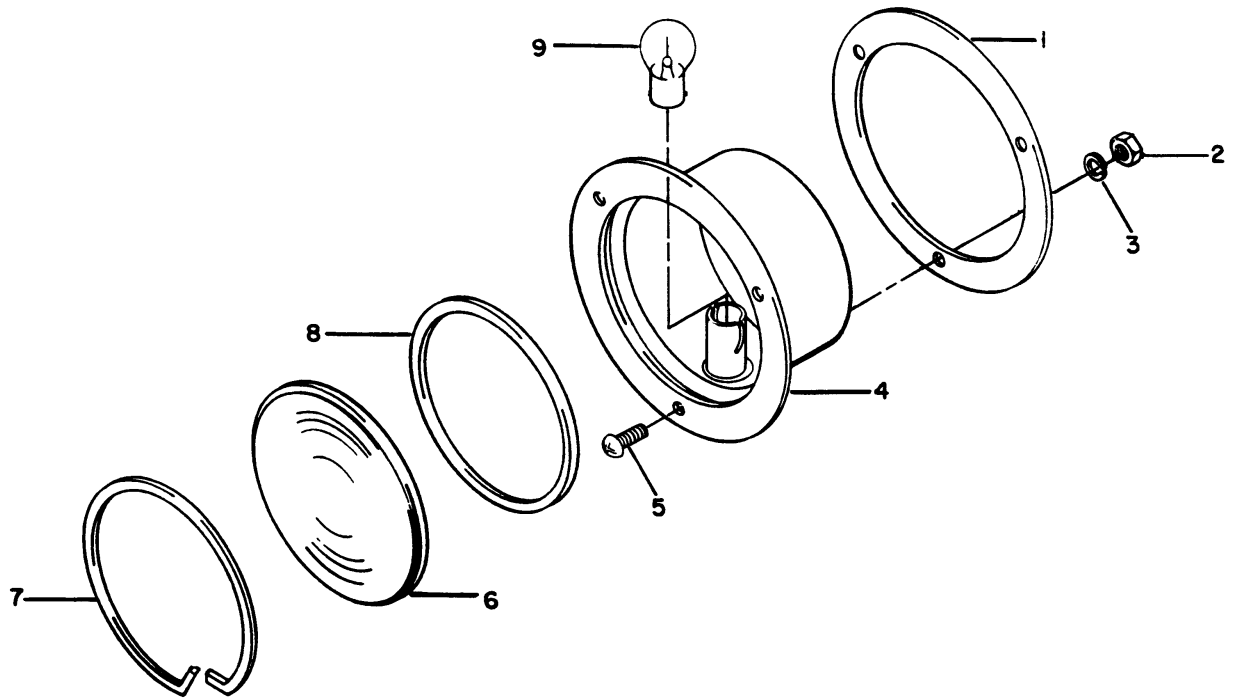
TURN SIGNALS

TURN SIGNALS

#	PART #	DESCRIPTION	QTY	NOTE
	817595	Lamp, assembly-red	2	
	817562	Lens, amber	2	
	809084		1	
	809122	CLIP	1	
1	817594	Lamp, amber	2	
2	820563		4	
3	817593	Bulb, lamp #1073	4	
4	817601	Gasket, lens	4	
5	817561	Lens, red	2	
6	820564		4	
7	817596		2	
8	880843	WIRE & FUSE AY	1	
9	111590	Fuse 10 amp.	1	
10	816916		1	
11	817589		1	
12	306991	LWSHR,#8 ZS SHKPRF EXT (KC)	2	
13	200622	Screw, No. 8-32 x 1/2	2	
14	130152	SCRW,#6-32.500 YS RS	8	
15	306990	External Lockwasher	8	
16	302437	Nut, Hex Screw	8	
17	800026	Screw, 1/4-20 x 3/4" Pan Head	4	
18	306090	Washer, 1/4	1	
19	306992	LWSHR,.25 ZS SHKPRF INT	4	
20	306375	Nut, 1/4-20 Hex	4	
21	816270	PLUG	1	
22	817591		1	
23	811953	BULB,#53 LIGHT	1	
24	817590	Bracket, handle bar models	1	

TURN SIGNALS

TURN SIGNALS (POLICE)



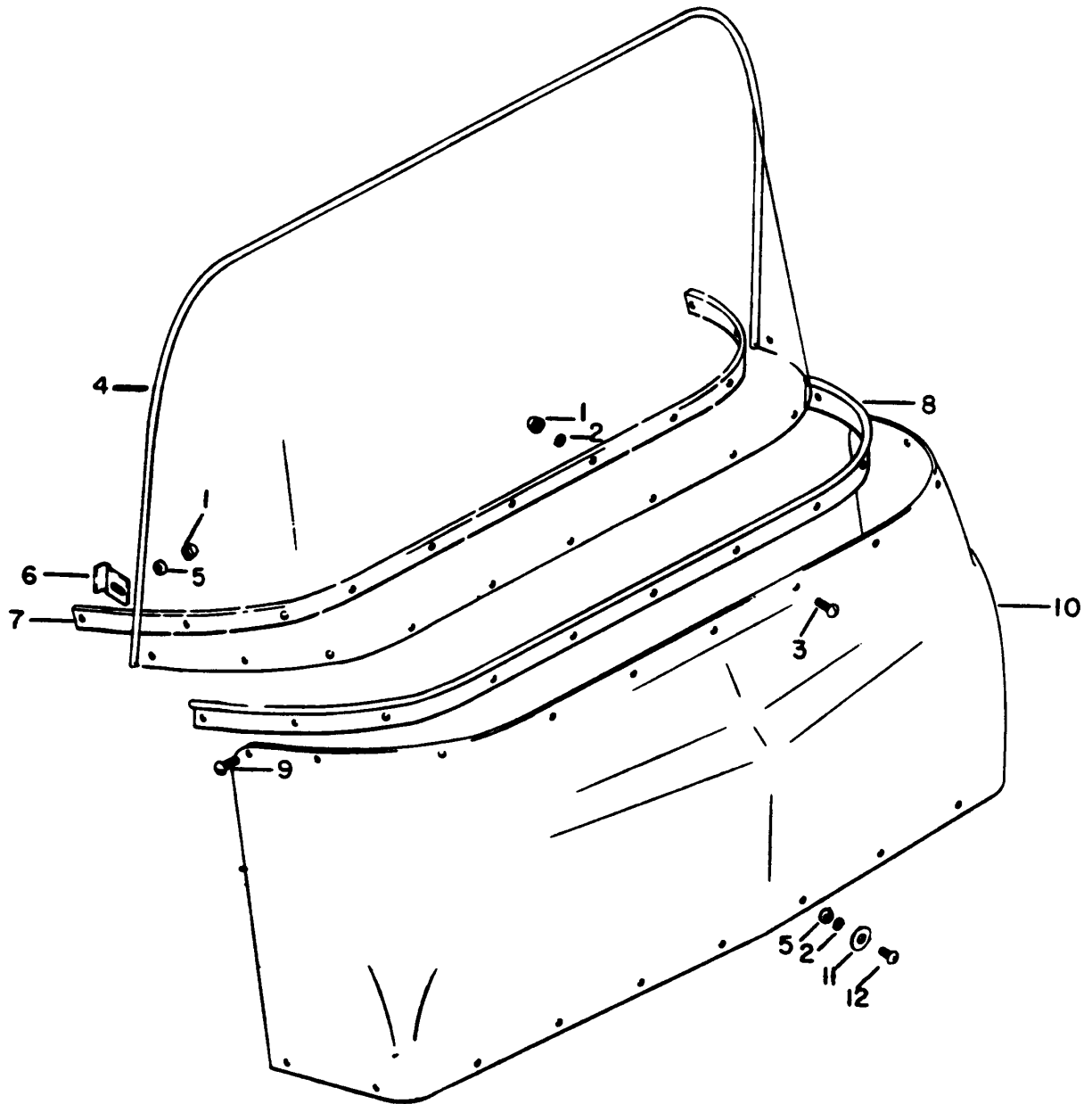
TURN SIGNALS (POLICE)

TURN SIGNALS (POLICE)

#	PART #	DESCRIPTION	QTY	NOTE
	814433	Lamp, amber front, complete	2	
	817390	Lamp, rear, right	1	
	817389		1	
	814977		1	
1	814970		1	
2	306531	Nut, #10-24 Hex	3	
3	120052	Lockwasher, #10	3	
4	814969	Body	1	
5	800271	Screw, #10-24 x 1/2" Pan Head	3	
6	814976	Lens, amber for 814433	1	
7	814971		1	
8	814972		1	
9	812785		1	

TURN SIGNALS (POLICE)

WINDSHIELD SET



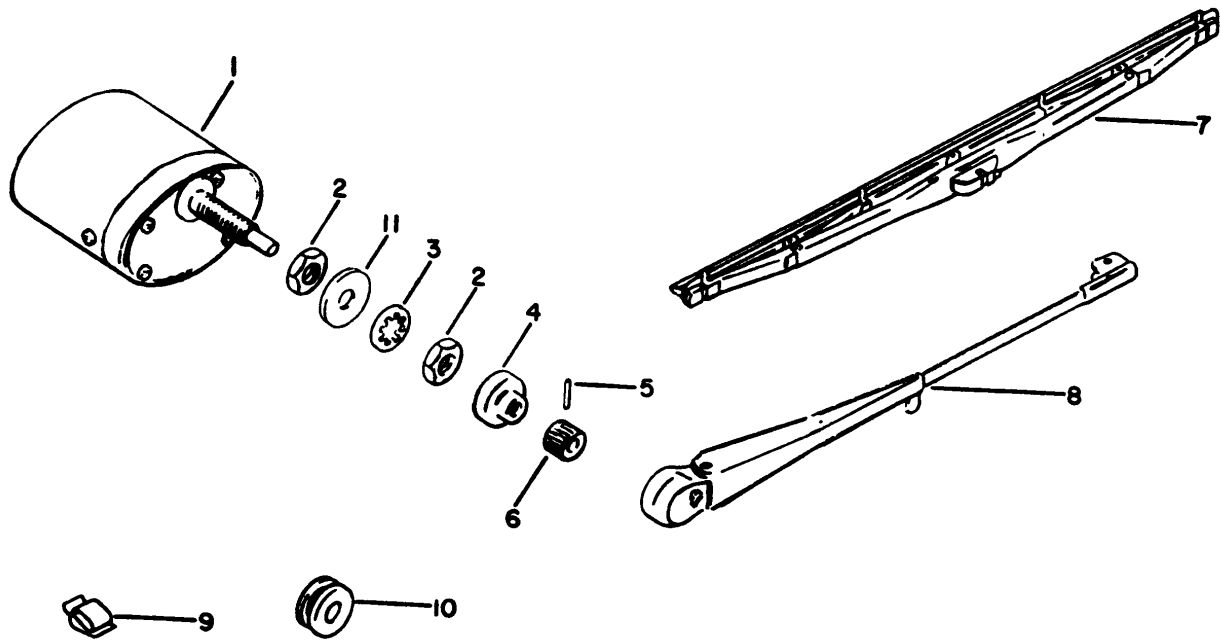
WINDSHIELD SET

WINDSHIELD SET

#	PART #	DESCRIPTION	QTY	NOTE
	878775	Windshield Set, Complete	1	
	812811	Windshield group only	1	
1	800037	Nut, 1/4-20 Acorn	11	
2	306396	Lockwasher, 1/4	10	
3	130600		9	
4	812813	Window, top top	1	
5	306375	Nut, 1/4-20 Hex	12	
6	812815		2	
7	812814		1	
8	812816		1	
9	132124	ScREW, 1/4	2	
10	812810		1	
11	306407		10	
12	800026	Screw, 1/4-20 x 3/4" Pan Head	10	

WINDSHIELD SET

WINDSHIELD WIPER



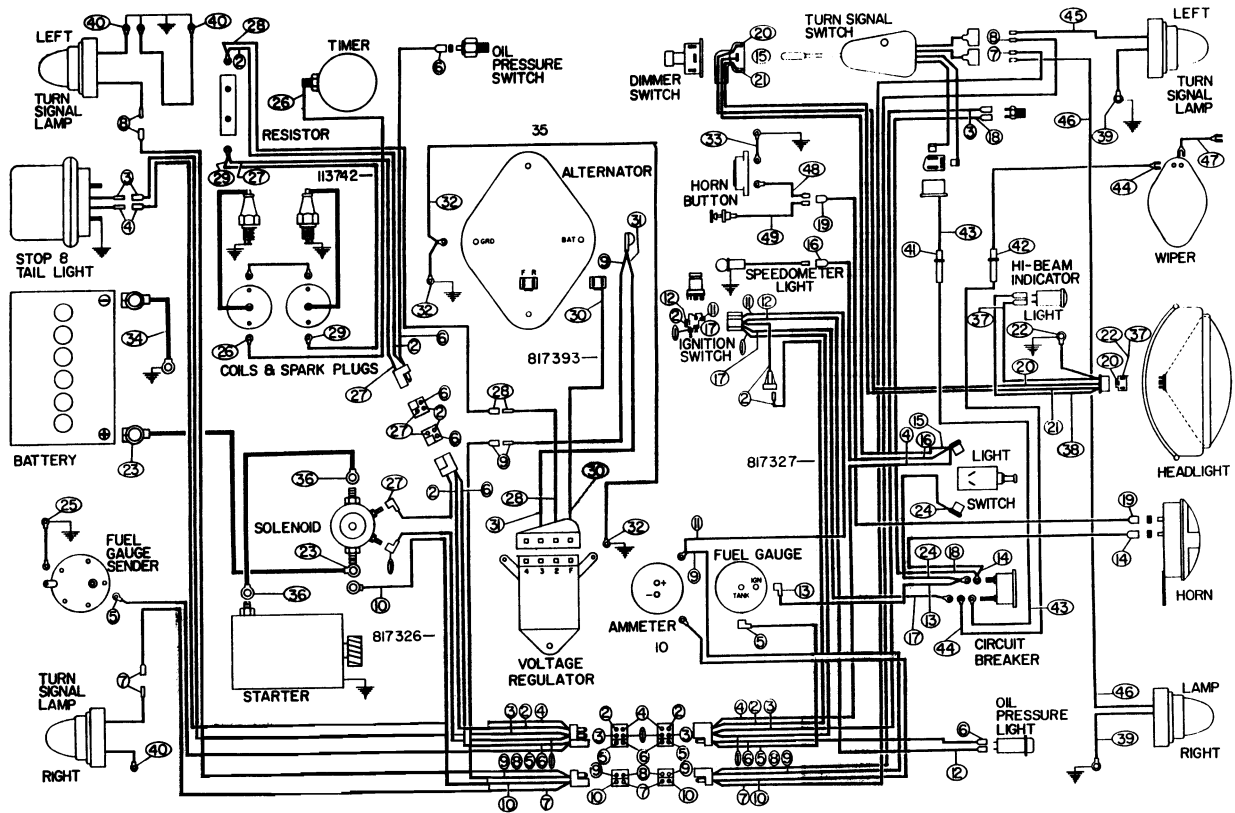
WINDSHIELD WIPER

WINDSHIELD WIPER

#	PART #	DESCRIPTION	QTY	NOTE
1	812039	Motor, windshield wiper	1	
2	813062	NUT, W/S WIPER	2	
3	306993	LWSHR,.38 ZS SHKPRF INT (KC)	1	
4	813063	CAP W/GASKET	1	
5	307901	PIN,RL.094.500 CARBN STL (KC	1	
6	813064		1	
7	812661	BLADE,WSHLD WIPER	1	
8	807321	ARM,WINDSHLD WIPER	1	
9	809122	CLIP	8	
10	810445	GROMMET,.38.64.28 RBR SPLIT	1	
11	306982	Flat Washer, 7/16	1	

WINDSHIELD WIPER

WIRES



WIRES

WIRES

#	PART #	DESCRIPTION	QTY	NOTE
1			1	
2			1	
3			1	
4			1	
5			1	
6			1	
7			1	
8			1	
9			1	
10			1	
11			1	
12			1	
13			1	
14			1	
15			1	
16			1	
17			1	
18			1	
19			1	
20			1	
21			1	
22			1	
	820331	WIRE	1	
	817368		1	
	812349	Black-Battery (-) to ground (1 t	1	
23	817322	WIRE	1	
24			1	
25	815996		1	
26			1	
27			1	
28			1	
29			1	
30			1	
31			1	
32			1	
33	817328	Black-Horn switch to ground	1	
34	809865		1	
35	814417		1	
36	817323		1	
37			1	
38			1	
39			1	
40			1	
41			1	
42			1	
43	880843	WIRE & FUSE AY	1	

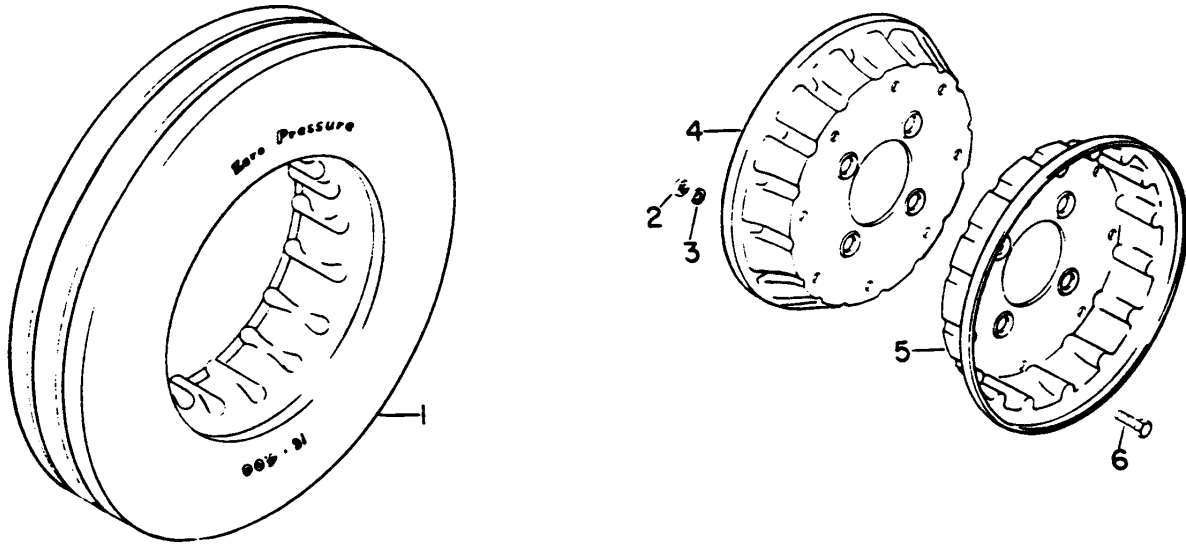
WIRES

WIRES

#	PART #	DESCRIPTION	QTY	NOTE
44	880845		1	
45			1	
46			1	
47	812978	Brown-Wiper motor to ground	1	
48	817412	Brown-Horn button (Handlebar) to	1	
49	880365	WIRE & CONNECTOR AY	1	
113742	113742	WIRE HARNESS	20	
817326	817326	HARNESS, WIRING	9	
817327	817327	FRT PANEL HARNESS	25	
817393	817393	HARNESS, ALTERNATOR	1	

WIRES

ZERO PRESSURE TIRES



ZERO PRESSURE TIRES

ZERO PRESSURE TIRES

#	PART #	DESCRIPTION	QTY	NOTE
1	807271		1	
2	306375	Nut, 1/4-20 Hex	8	
3	306396	Lockwasher, 1/4	8	
4	812034		1	
5	812033		1	
6	300646	Screw, 1/4-20 x 3/4" Hex Head	8	

ZERO PRESSURE TIRES
